

MAASS™ PITLESS UNITS

MODEL JX1 - PITLESS BURY UNITS Patented

Features:

- Maass pitless units constructed of schedule 40 steel pipe
- Maass pitless units are Wisconsin and New York State approved
- JX1 Units can come threaded or plain end for welding
- Specify bury depth when ordering JX1 Pitless Units
- PA Option and PSP Package available on 1" discharge models for pressure switch in the well in 5" or larger casing
- JX1 units have standard male threads for attachment at base

Part Number	Model Number	Well Casing Size	Water Outlet & Drop Pipe Size	List Price
928500	4JX1-1	4	1	See separate price list
928505	4JX1-1 1/4	4	1 1/4	
928510	4JX1-1 1/2	4	1 1/2	
928515	5JX1-1	5	1	
928520	5JX1-1 1/4	5	1 1/4	
928525	5JX1-1 1/2	5	1 1/2	
928530	5JX1 - 2	5	2	
928535	6JX1-1	6	1	
928540	6JX1-1 1/4	6	1 1/4	
928545	6JX1-1 1/2	6	1 1/2	
928550	6JX1-2	6	2	
928555	6JX1-2 1/2	6	2 1/2	
928560	8JX1-1	8	1	
928565	8JX1-1 1/4	8	1 1/4	
928570	8JX1-1 1/2	8	1 1/2	
928575	8JX1-2	8	2	
928580	8JX1-2 1/2	8	2 1/2	
928585	8JX1-3	8	3	
928590	10JX1-2	10	2	
928595	10JX1-2 1/2	10	2 1/2	
928600	10JX1-3	10	3	
928605	10JX1-4	10	4	

● NOTE: Other sizes and combinations of JX1 Pitless Units are available.



MAASS PITLESS UNITS

JX1 SERIES FULL WELD COUPLING

Features:

- Used with JX1 Pitless threaded unit to steel casing
- Weld X female NPT thread

Part Number	Model Number	List Price Each
929100	4" FWC	See separate price list
929200	5" FWC	
929300	6" FWC	
929400	8" FWC	



541 PITLESS CONNECTOR

Features:

- Slip type compression coupling for threading on male end of pitless adapter
- Rubber compression end slips over well pipe
- Offers watertight, secure connection

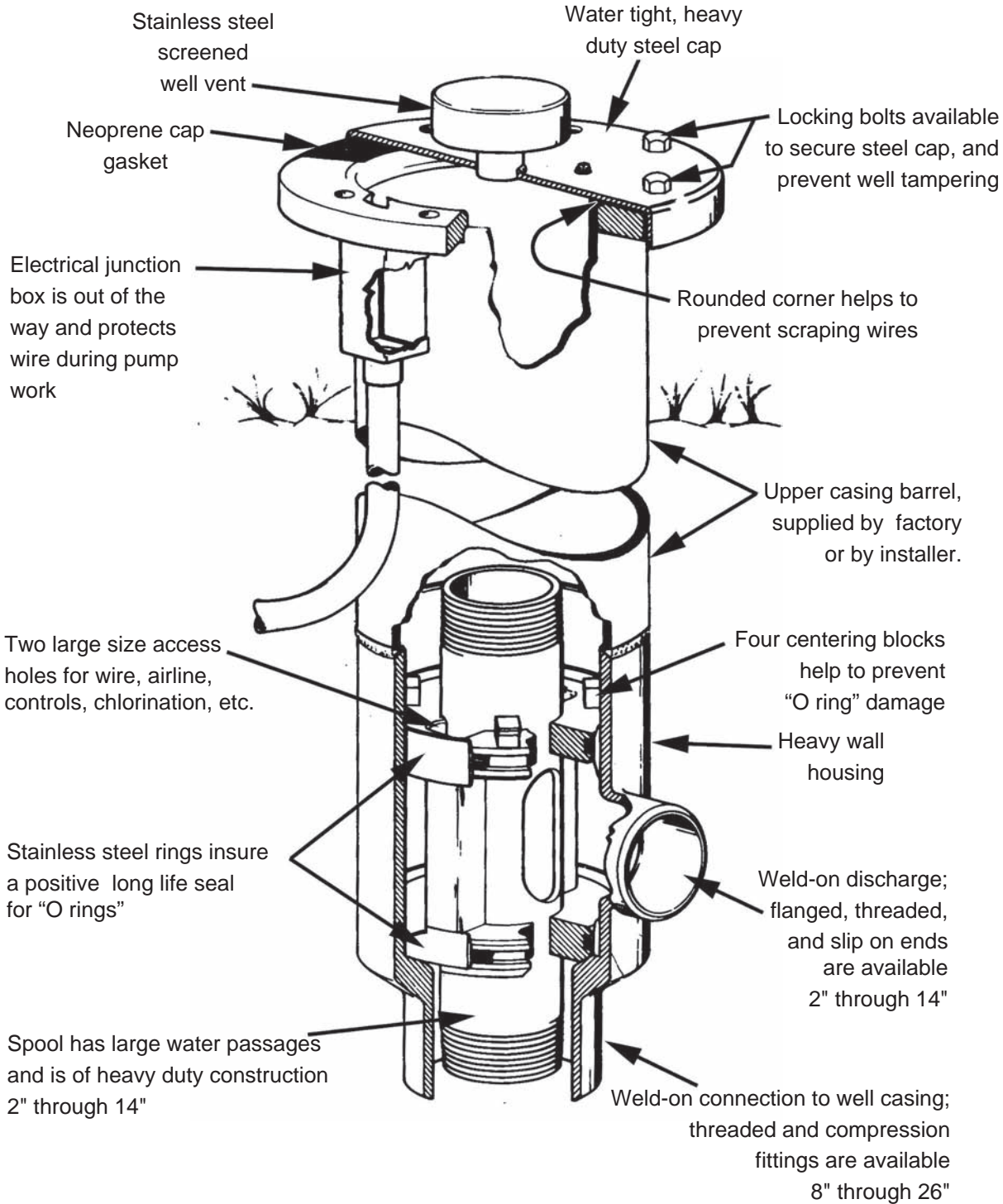
Part Number	Description	List Price Each
932043	5" female NPT X 4" compression	See separate price list



MAASS™ MODEL MB PITLESS UNIT

Features:

- Designed for ease and convenience in setting and pulling pumps
- For 8, 10, 12, 14, 16, 18, 20, 22, 24 inch and larger wells
- Available with 2" through 14" discharge
- Standard features include stainless steel inserts used at critical "O" Ring Seal and Spool Seat Surfaces
- Vertical turbine and booster pump station units available
- FDA & NSF approved 2 part catalytic epoxy coating standard
- Available with all wet parts made of stainless steel

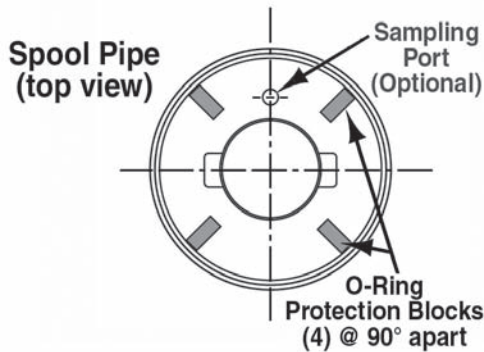
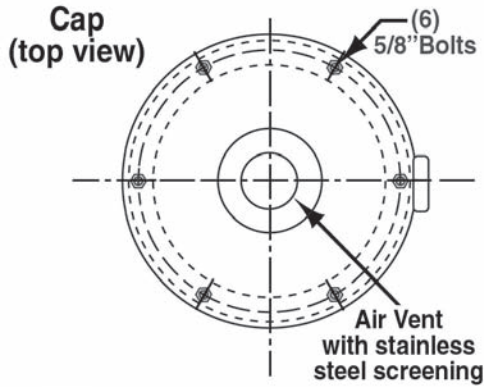


Patented

MAASS MODEL MB PITLESS UNIT

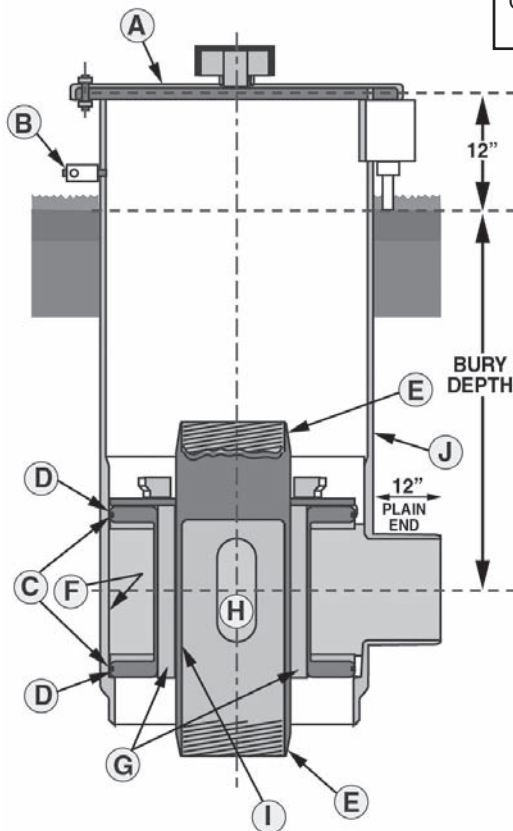
MAASS™ MODEL MB PITLESS UNIT

MODEL NUMBER ORDERING GUIDE



MODEL	MB
	Heavy Duty = (HD)
	Submersible = (S) Booster Station = (B) Turbine = (T)
HOUSING	Casing Diameter = (8" - 26")
	Upper Barrel Diameter (10" - 28")
	Discharge Diameter (2" - 14")
	Discharge Type Male Thread = (MT), Female Thread = (FT), Plain End = (P), Flanged = (F)
SPOOL	Pump Pipe (2" - 14")
	National Pipe Thread = (NPT), API Round = (APIR)
CAP	Well Cap - Watertight = (WT), Aluminum = (AL), Watertight Aluminum = (AWT)
OPTIONS	Bury Depth (if upper casing is ordered)
	Custom Features (Please describe) (See Options)

MODEL	WELL CASING					
Heavy Duty (HD)	8"	10"	12"	14"	16"	18" or larger
Pump Column & Discharge Pipe						
Standard	4"	6"	6"	6"	6"	6"
Optional	2", 3", 4"	4", 5"	4", 5"	4", 5", 8"	5", 8", 10"	5", 8", 10", 12"



- A - Steel watertight cap shown for Heavy Duty Units. Cast Aluminum watertight or submersible cap available.
- B - Airline Test Block - Optional.
- C - 304 Stainless Steel rings and seat standard.
- D - O-Rings - 3/8" cross section.
- E - Male NPT threads on spool pipe, API threads or Flanges optional.
- F - Heavy Duty Units have 1/2" or thicker housing wall.
- G - Large access channels, Stainless Steel tubes for seal wire connections or flowing well available.
- H - Spool discharge openings 100% or greater than spool pipe used.
- I - Spool Pipe XS wall.
- J - Upper casing barrel 3/8" thick.

OPTIONS

- CD = Chlorinator Discharge
- FM = Flow Meter
- SWC = Sealed Wire Connections
- BPS = Booster Pump Stations
- ATB = Airline Test Blocks
- CVS = Check Valve in Spool
- LB = Locking Bolts
- TA = Torque Arrestor and Lift-Out Bail
- Other options, please describe

OPTIONS: Chlorinator discharge; Flow Meters; Airline Test Blocks; Turbine Pump mountings and seals; Sealed wire connections in spool for Flowing Wells and Booster Pump Stations; Check valve in spool; Locking bolts for well cap; Torque Arrestor & lift-out bail.

*ALL STAINLESS STEEL ADAPTERS AVAILABLE UPON REQUEST.

MAASS MODEL MB PITLESS UNIT

PITLESS ADAPTER "O" RINGS

PITLESS ADAPTER "O" RINGS

dicken™ SERIES		
PART #	SIZE	LIST PRICE
017304	JR-S10	See separate price list
017304	LDS-10	
017315	LDS-12	
017300	S-10	
017315	S-12	
017325	S-20	
017300	LD-2X	
018315	CW-4-10	
018315	CW-5-10	
018315	CW-6-10	
018315	CW-4-10WA	
018315	CW-4.5-10WA	
018315	CW-5-10WA	

MAASS J-JX-JC SERIES		
PART #	SIZE	LIST PRICE
001030	J1	See separate price list
001030	JC 1 1/4	
001032	J1 1/4	
001032	J1 1/2	
001034	J2	
001036	J2 1/2	
001038	J3	
001040	J4	
990000	Model J O-Ring Repair Kit	

NOTE: Model J O-Ring Repair Kit contains: 12 pcs. J1 O-Rings,
6 pcs. J1^{1/4} / J1^{1/2} O-Rings and 3 pcs. J2 O-Rings.

MAASS MODEL MB UNITS		
PART #	SIZE	LIST PRICE
001008	8" MB HD	See separate price list
001010	10" MB HD	
001012	12" MB HD	
001014	14" MB HD	
001016	16" MB HD	
001018	18" MB HD	
001020	20" MB HD	
001022	22" MB HD	
001024	24" MB HD	

PITLESS ADAPTER "O" RINGS

