

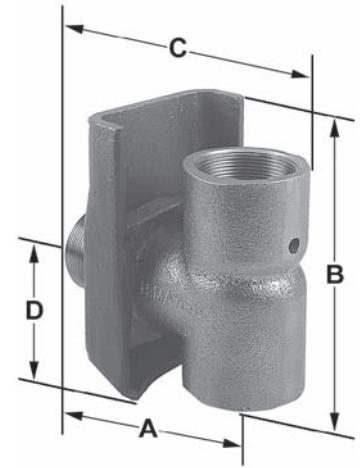
MAASS™ SEWAGE ADAPTERS

MAASS SEWAGE ADAPTERS (JS)

Features

- Allows for easy service to any submersible pump installation
- Brass and 304 stainless material used to combat corrosion
- Not necessary to pump tank to service pump
- Rail system can be fabricated by installer or Maass
- Large 8° taper slide for ease of installation or removal
- Can be used in cisterns and curb wells

Part No.	Model Number	NPT Size	Dimensions (Inches)				Weight (lbs)	List Price
			A	B	C	D		
928800	JS 1 1/4	1 1/4	4	6	5 1/8	2 1/8	6.0	See separate price list
928805	JS 1 1/2	1 1/2	4 1/4	6	5 1/4	2 1/8	6.8	
928810	JS 2	2	5 1/2	7	6 7/8	2 3/4	11.0	
928815	JS 3	3	7 1/2	10	9 1/2	3 1/2	27.0	
928820	JS 4	4	7 3/4	12	10 1/2	4 1/8	44.0	



MAASS SEWAGE ADAPTER SLIDE RAIL SYSTEM

Features

- Rails used to hold adapter in position as well as providing guide system for brass insert
- Rails provided are welded in place on J.S. adapter

Part Number	For Models	Angle Size	List Price
928900	JS1 1/4, 1 1/2, 2	3/16 x 1 x 1	See separate price list
928905	JS3, 4	3/16 x 1 1/2 x 1 1/2	

Note: Please specify rail length required when ordering slide rail system



MAASS SEWAGE ADAPTERS

MAASS SEWAGE ADAPTERS (JSB) Patented

Features

- Large 8° Taper Slide for ease of installation or removal
- 2" NPT inlet and outlet
- 1" pipe used for guides and support
- 100% naval brass construction for corrosion resistance
- Allows for easy service to any submersible pump installation
- Not necessary to pump tank to service pump

Part Number	Model Number	NPT Size	List Price
928980	JSB-2	2	See separate price list



JSB-2 STAND OFF BRACKET

Features

- Electroless nickel plated to resist corrosion
- Easily installed beneath septic tank lid or off the wall
- Utilizes (2) 1/2" bolts

Part Number	For Model	Mounting Holes	List Price
928985	JSB-2	9/16"	See separate price list



SEWAGE ADAPTERS / ACCESSORIES

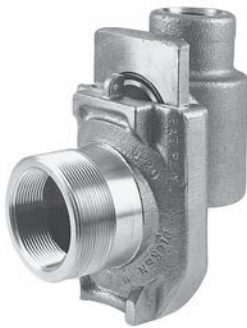


JSB-2 UNIVERSAL STAND OFF BRACKET

Features:

- 19" overall length allows adjustment every 4 1/2 inches
- Durable two part epoxy coating
- Utilizes (2) 1/2" bolts for installation to tank wall (not provided)

Part Number	For Model	Mounting Holes	List Price
928995	JSB-2	9/16"	See separate price list



dicken™ SUMP/SEWAGE ADAPTERS

Features:

- Precision machined all red brass castings
- Chamfered slide for fast and easy installation

Part Number	Model	Discharge Pipe (Inches)	Supply Pipe (Inches)	Casing Size, Nominal (Inches)	Hole Size, Required (Inches)	Shipping Weight (lbs-oz.)	Working Load (lbs)	Quantity /Carton	List Price Each
952178	LD-S-10-CO	1	1	5-12	1 3/4	4.0	2,000	10	See separate price list
952180	LD-S-12-CO	1 1/4	1 1/4	5-12	2 1/4	5.0	2,000	12	See separate price list
952182	S 20-CO	2	2	5 5/8-12	3 1/8	14.0	5,000	4	See separate price list

LIQUID LEVEL SWITCH



Features:

- F59 switches can also be mounted upside down so the adjusting screw is at the top of the switch and adjusted for tank filling applications

Part No.	Model No.	Mfr.	Description	List Price
940132	F59A-2	Johnson	Liquid Level Switch with Wgts. and Wire	See separate price list

ABS SUMP/SEWAGE CHECK VALVE

Features:

- Full flow design
- Two piece ABS body (sonic welded)
- Buna-N flapper seal provides positive sealing
- Valves provided with (4) stainless steel clamps
- DRS model provided with two rubber reducer sleeves



Part Number	Model No.	Description	List Price
940155	BSC-200-SB	2" IPS	See separate price list
940150	BSC-125/150 DRS	1 1/4 or 1 1/2 IPS	See separate price list

PITLESS ADAPTER ACCESSORIES

TORCH CUTTING GUIDE:

For ease of installation of Model J or JC Pitless Adapter. Please specify casing O.D. and discharge size when ordering

Part No.	Model No.	List Price
928010	CG	See separate price list

PITLESS ACCESSORY OPTION AND PRESSURE SWITCH PACKAGE

Features:

- Allows pressure relief valve or pressure switch to be mounted in the well
- System drain valve may be located in the well; check local codes
- PA option is 1/2" tapping on back of 1" brass insert
- PSP package includes 1/4" x 9' coiled hose, 1/4" x 1/2" brass bushing, pulsation plug, and 2 stainless steel brackets for mounting pressure switch in the well
- Use with pressure transducers

Part No.	Model No.	List Price
928000	5J1 PA	See separate price list
928002	6J1 PA	
928003	5JC1 PA	
928004	6JC1 PA	
953110	LD-S-10 PA	
953040	CW-4-10-PA	
953050	CW-5-10-PA	
953060	CW-6-10-PA	
953045	CW-4-10-WA-PA	
953047	CW-4.5-10-WA-PA	
953055	CW-5-10-WA-PA	

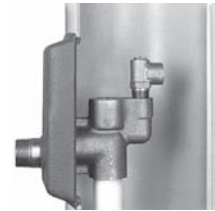
• NOTE: Used on 1" discharge adapters in 5" casing or larger.

Part No.	Model No.	List Price
928005	PSP	See separate price list

NOTE: It is the customer's responsibility for ordering proper product to meet local, state and federal code regulations.



CG



5J1-PA



LDS-PA



CW-4-10-PA



PSP

MAASS ACCESSORIES