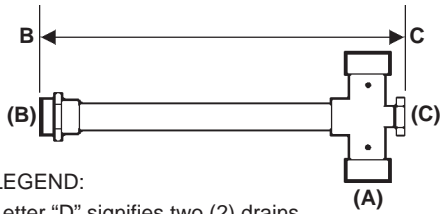


# ACCESSORIES



**LEGEND:**

Letter "D" signifies two (2) drains

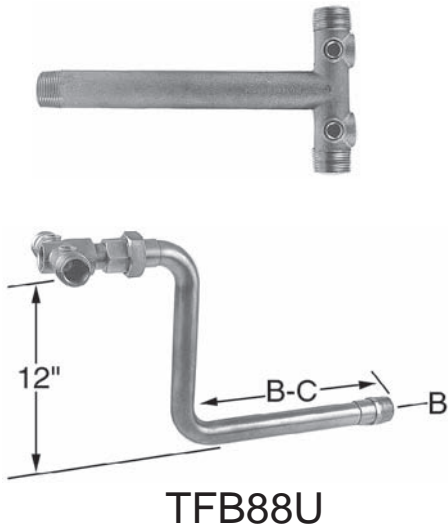
Letter "C" signifies all cast brass tee

Letter "F" signifies fabricated tee

Letter "U" signifies fabricated tee with union

## TANK TEES

- Features:
- All tees are fabricated with lead free solder
  - 1" tees have 1" male x 3/4" female on inlet and outlet sides of cross
  - 1 1/4" tees have 1 1/4" male x 1" female on inlet and outlet sides of cross
  - Saves time and easy to install
  - Brass and copper construction utilizing tin/silver solder



Part Number	Model Number	NPT A O.D. (in.)	NPT A I.D. (in.)	B (in.)	B-C Length (in.)	C Tapping
<b>Cast Brass</b>						
952270	TCB-1	1	3/4	1 female	2	3/4
952271	TCB-1D	1	3/4	1 female	2	(2) 1/2
952273	TCB-1S	1	3/4	1 sweat	2	3/4
952276	TCB-1SD	1	3/4	1 sweat	2 1/4	(2) 1/2
952243	TCB-2D	1 1/4	1	1 female x 1 1/4 male	5	(2) 3/4
952248	TCB-11	1	3/4	1 male	10 3/4	1/2
952249	TCB-11D	1	3/4	1 male	10 3/4	(2) 1/2
<b>Fabricated</b>						
952305	TFB-7D	1 1/4	1	1 1/4 male	Flexcon®	(2) 3/4
952310	TFB-11	1	3/4	1 male	11	3/4
952313	TFB-11D	1	3/4	1 male	11	(2) 1/2
952316	TFB-13	1	3/4	1 male	13	3/4
952319	TFB-13D	1	3/4	1 male	13	(2) 1/2
952322	TFB-44	1 1/4	1	1 1/4 male	15	3/4
952325	TFB-44D	1 1/4	1	1 1/4 male	15	(2) 3/4
<b>With Union</b>						
952340	TFB-13U	1	3/4	1 male	13	3/4
952344	TFB-13UD	1	3/4	1 male	13	(2) 1/2
952348	TFB-44U	1 1/4	1	1 1/4 male	16	3/4
952352	TFB-44UD	1 1/4	1	1 1/4 male	16	(2) 3/4
952356	TFB-88U	1	3/4	1 male	12	3/4
952360	TFB-88UD	1	3/4	1 male	12	(2) 1/2
952364	TFB-91UF	1	3/4	1 female	WellMate™	3/4
952368	TFB-91UFD	1	3/4	1 female	WellMate™	(2) 1/2
952372	TFB-99U	1	3/4	1 male	12	3/4
952376	TFB-99UD	1	3/4	1 male	12	(2) 1/2
<b>Designed to accommodate the new flush to skirt female tank fittings</b>						
952306	TFB-10	1	3/4	1 male	4 1/2	3/4
952308	TFB-10D	1	3/4	1 male	4 1/2	(2) 1/2
952366	TFB-91UMX	1	3/4	1 male	3	3/4
952370	TFB-91UMDX	1	3/4	1 male	3	(2) 1/2
952346	TFB-50U	1	3/4	1 male	Flexcon®	3/4
952347	TFB-50UD	1	3/4	1 male	Flexcon®	(2) 1/2

## GALVANIZED TANK TEE KIT

- Kit includes 1/4" x 3" and 1" x 8" galvanized nipples.

Part Number	Model Number	NPT	B	B-C Length	C Tapping
952260	TFG1-8	1	1 female	11"	1/2
● Kit includes 1/4" x 3" and 1" x 8" galvanized nipples.					
952258	TFG1-3X	1	1 female	6"	1/2

## GALVANIZED TANK TEE ONLY

Part Number	Model Number	A NPT	B	C Tapping
952265	TCG-1	1	1 female	1/2
952267	TCG-44	1 1/4	1 1/4 female	1/2