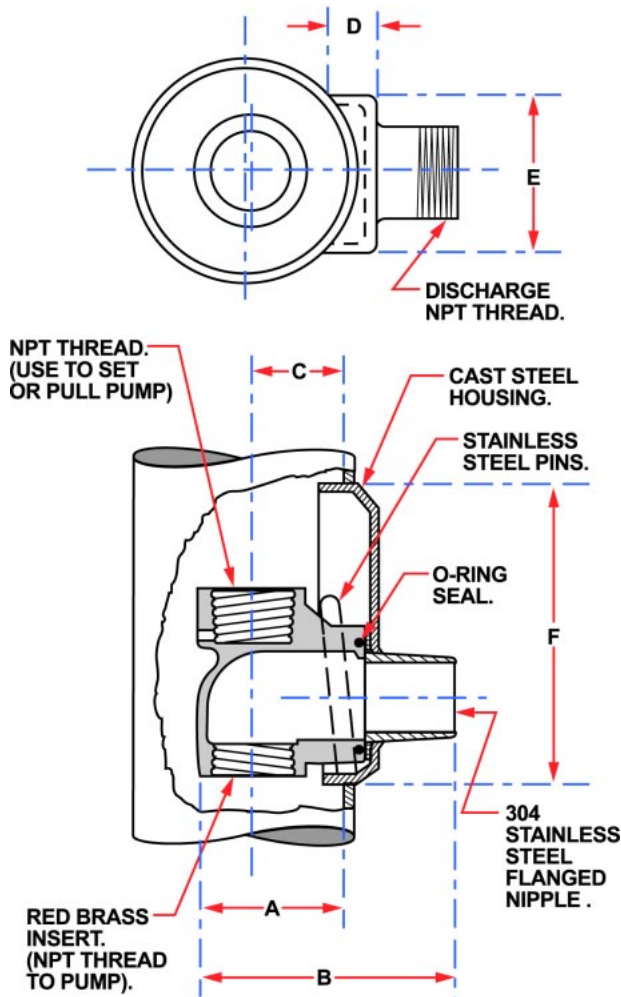


# MAASS™ MODEL J SERIES PITLESS ADAPTERS

MADE in the USA



## MAASS™ MODEL J WELD-ON PITLESS ADAPTER



NOTE:

1. THE REMOVABLE BRASS INSERT PERMITS EASY PUMP REMOVAL FOR SERVICE OR REPLACEMENT.
2. DIMENSIONS AND WEIGHTS MAY VARY SLIGHTLY DUE TO INDIVIDUAL CASTING AND WEIGHT VARIANCES.

WEIGHT (LBS)	F	E	D	C	B	A	DROP DISCHARGE NPT & PIPE SIZE	FITS WELL CASING	PITLESS ADAPTER MODEL
6	7 <sup>5</sup> / <sub>16</sub>	3 <sup>1</sup> / <sub>4</sub>	1 <sup>1</sup> / <sub>4</sub>	1 <sup>3</sup> / <sub>4</sub>	5 <sup>1</sup> / <sub>8</sub>	2 <sup>3</sup> / <sub>4</sub>	1"	4" & 5"	4J1
7	8	3 <sup>11</sup> / <sub>16</sub>	1 <sup>1</sup> / <sub>4</sub>	1 <sup>11</sup> / <sub>16</sub>	5 <sup>1</sup> / <sub>8</sub>	2 <sup>3</sup> / <sub>16</sub>	1 <sup>1</sup> / <sub>4</sub> "	4" & 5"	4J11/4
8 <sup>1</sup> / <sub>2</sub>	8	3 <sup>11</sup> / <sub>16</sub>	1 <sup>1</sup> / <sub>4</sub>	1 <sup>11</sup> / <sub>16</sub>	5 <sup>5</sup> / <sub>16</sub>	3	1 <sup>1</sup> / <sub>2</sub> "	4" & 5"	4J11/2
12	8 <sup>7</sup> / <sub>8</sub>	4 <sup>7</sup> / <sub>16</sub>	1 <sup>1</sup> / <sub>2</sub>	2 <sup>5</sup> / <sub>16</sub>	6 <sup>5</sup> / <sub>8</sub>	3 <sup>3</sup> / <sub>4</sub>	2"	5"	5J2
6	7 <sup>1</sup> / <sub>4</sub>	3 <sup>1</sup> / <sub>4</sub>	1 <sup>1</sup> / <sub>4</sub>	1 <sup>5</sup> / <sub>8</sub>	5 <sup>1</sup> / <sub>8</sub>	2 <sup>1</sup> / <sub>2</sub>	1"	6", 7", 8"+	6J1
7	8	3 <sup>5</sup> / <sub>8</sub>	1 <sup>1</sup> / <sub>4</sub>	1 <sup>9</sup> / <sub>16</sub>	5 <sup>1</sup> / <sub>8</sub>	2 <sup>5</sup> / <sub>8</sub>	1 <sup>1</sup> / <sub>4</sub> "	6", 7", 8"+	6J11/4
8	8	3 <sup>11</sup> / <sub>16</sub>	1 <sup>1</sup> / <sub>4</sub>	1 <sup>11</sup> / <sub>16</sub>	5 <sup>5</sup> / <sub>16</sub>	2 <sup>7</sup> / <sub>8</sub>	1 <sup>1</sup> / <sub>2</sub> "	6", 7", 8"+	6J11/2
12	8 <sup>7</sup> / <sub>8</sub>	4 <sup>7</sup> / <sub>16</sub>	1 <sup>1</sup> / <sub>2</sub>	2 <sup>3</sup> / <sub>8</sub>	6 <sup>3</sup> / <sub>4</sub>	3 <sup>7</sup> / <sub>8</sub>	2"	6", 7", 8"+	6J2
18	10 <sup>7</sup> / <sub>8</sub>	5	1 <sup>1</sup> / <sub>2</sub>	2 <sup>3</sup> / <sub>4</sub>	7 <sup>1</sup> / <sub>2</sub>	4 <sup>1</sup> / <sub>2</sub>	2 <sup>1</sup> / <sub>2</sub> "	6", 7", 8"+	6J2 <sup>1</sup> / <sub>2</sub>
32	12 <sup>9</sup> / <sub>16</sub>	6 <sup>1</sup> / <sub>8</sub>	1 <sup>7</sup> / <sub>8</sub>	3 <sup>7</sup> / <sub>8</sub>	9 <sup>9</sup> / <sub>16</sub>	6	3"	8", 10", 12"+	8J3
50	15 <sup>1</sup> / <sub>4</sub>	7 <sup>3</sup> / <sub>8</sub>	2	4 <sup>1</sup> / <sub>4</sub>	10 <sup>1</sup> / <sub>2</sub>	7	4"	10", 12", 14"+	10J4



MANUFACTURERS OF QUALITY WATER WELL ACCESSORIES

©2004, MAASS Midwest Manufacturing, Inc. All rights reserved.

P. O. Box 547, 11283 Dundee Road, Huntley, IL 60142-0547

(800) 323-6259 • IL AREA (847) 669-5135

MEMBER:





# MAASS™ MODEL J WELD-ON PITLESS ADAPTER



## FEATURES:

- Innovative design which limits water contact to 304 stainless steel and brass, eliminating rust, corrosion and electrolysis.
- Permanently installed by welding for increased strength and durability
- J Series of adapters and units available with stainless steel, nickel-bronze inserts, stainless steel housings, and Viton or Teflon O-rings
- Only two one inch outlet size Model J Pitless needed to fit all well casing sizes
- No obstruction left in well casing when brass insert is pulled.

## ENGINEERING SPECIFICATION

The Pitless Adapter shall be a Model J field-weld type, as manufactured by Maass-Midwest Manufacturing, using an eight degree bronze locking type wedge ell with an o-ring forced against a non-magnetic type 304 stainless steel flanged nipple. The pitless adapter housing shall of be cast steel and shall have 80 taper 304 stainless steel pins, and 304 stainless steel flanged discharge nipple, and shall be welded to the well casing.

### MODEL J WELD ON PITLESS ADAPTER SIZES

WELL CASING SIZE	MODEL	WATER OUTLET and DROP PIPE SIZE	WEIGHT (APPROX.)	WORKING LOAD • (LBS.)
4" - 5"	J	1"	6 lbs.	4,000
4" - 5"	J	1 1/4"	7 lbs.	5,000
4" - 5"	J	1 1/2"	8 1/2 lbs.	5,000
5"	J	2"	12 lbs.	6,000
6" or larger	J	1"	6 lbs.	4,000
6" or larger	J	1 1/4"	7 lbs.	5,000
6" or larger	J	1 1/2"	8 1/2 lbs.	5,000
6" or larger	J	2"	12 lbs.	6,000
6" or larger	J	2 1/2"	18 lbs.	8,000
8" or larger	J	3"	32 lbs.	10,000
10" or larger	J	4"	50 lbs.	16,000

Note: The weight of the pump, pipe and water column should not exceed the working load of the adapter nor the NPT joint strength of the pipe.

HOW TO ORDER MODEL J WELD ON PITLESS ADAPTER			
CASING SIZE +	MODEL	+ DROP & DISCHARGE	+ PART NUMBER
6"	J	2"	6J2



**MANUFACTURERS OF QUALITY WATER WELL ACCESSORIES**

©2004, MAASS Midwest Manufacturing, Inc. All rights reserved.

P. O. Box 547, 11283 Dundee Road, Huntley, IL 60142-0547

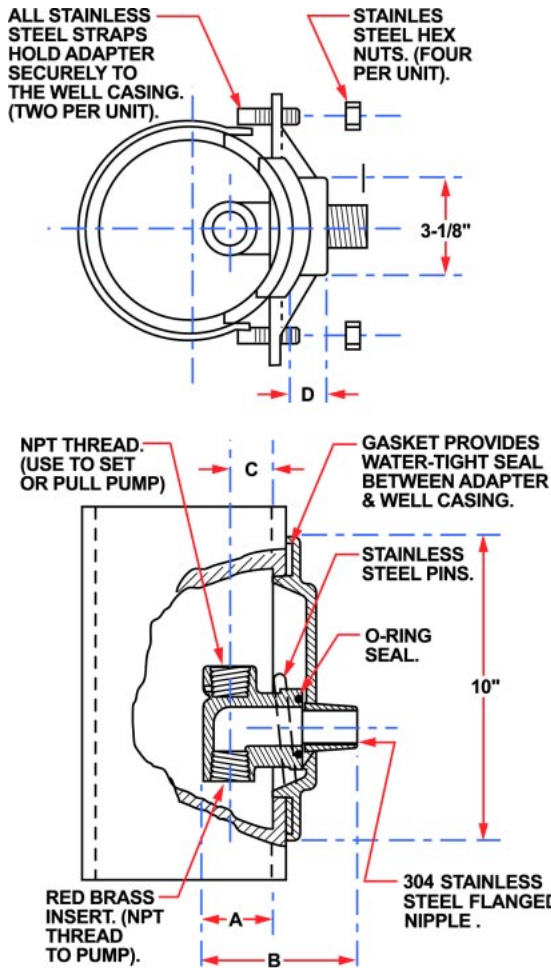
(800) 323-6259 • IL AREA (847) 669-5135

MEMBER:



# MAASS™ MODEL JC CLAMP-ON PITLESS ADAPTER

MADE in the USA 



## FEATURES:

- 304 stainless steel clamps and nuts
- Cast steel lips support adapter housing on wall of well casing; no lock needed
- Ideal for use on either plastic or steel well casing
- Buna-N rubber gasket seals cast steel housing against O.D. of well casing at point of attachment
- Model JC available with stainless steel inserts and Viton or Teflon O-rings

## NOTE:

1. When the brass insert is removed from the adapter, the inside of the well casing is unobstructed, permitting easy pump removal during service or replacement.
2. Cast steel housing has two "lips" for positive placement on the well casing; to prevent vertical movement of the housing after installation; and to provide solid support for the pump and discharge pipes.
3. Dimensions and weights may vary slightly due to individual casing and weight variances.

WEIGHT (LBS)	D	C	B	A	DROP DISCHARGE NPT & PIPE SIZE	WELL CASING SIZE (O.D.)	PITLESS ADAPTER MODEL
11		1 <sup>5</sup> / <sub>8</sub>	5 <sup>1</sup> / <sub>8</sub>	2 <sup>13</sup> / <sub>16</sub>	1"		4-JC1
11 <sup>3</sup> / <sub>4</sub>	7/ <sub>8</sub>	1 <sup>11</sup> / <sub>16</sub>	5 <sup>1</sup> / <sub>4</sub>	2 <sup>3</sup> / <sub>4</sub>	1 <sup>1</sup> / <sub>4</sub> "	4 <sup>1</sup> / <sub>2</sub> "	4-JC1 <sup>1</sup> / <sub>4</sub>
11		1 <sup>9</sup> / <sub>16</sub>	5 <sup>1</sup> / <sub>8</sub>	2 <sup>3</sup> / <sub>4</sub>	1"	5"	5OD-JC1
11 <sup>1</sup> / <sub>4</sub>	5/ <sub>16</sub>	1 <sup>5</sup> / <sub>8</sub>	5 <sup>1</sup> / <sub>4</sub>	2 <sup>11</sup> / <sub>16</sub>	1 <sup>1</sup> / <sub>4</sub> "		5OD-JC1 <sup>1</sup> / <sub>4</sub>
11		1 <sup>9</sup> / <sub>16</sub>	5 <sup>1</sup> / <sub>8</sub>	2 <sup>3</sup> / <sub>4</sub>	1"	5 <sup>9</sup> / <sub>16</sub> "	5-JC1
11 <sup>1</sup> / <sub>4</sub>	5/ <sub>16</sub>	1 <sup>5</sup> / <sub>8</sub>	5 <sup>1</sup> / <sub>4</sub>	2 <sup>11</sup> / <sub>16</sub>	1 <sup>1</sup> / <sub>4</sub> "		5-JC1 <sup>1</sup> / <sub>4</sub>
11 <sup>3</sup> / <sub>4</sub>		1 <sup>1</sup> / <sub>8</sub>	5 <sup>1</sup> / <sub>8</sub>	2 <sup>9</sup> / <sub>16</sub>	1"	6"	6OD-JC1
12 <sup>3</sup> / <sub>4</sub>	1 <sup>1</sup> / <sub>8</sub>	1 <sup>7</sup> / <sub>16</sub>	5 <sup>1</sup> / <sub>4</sub>	2 <sup>1</sup> / <sub>2</sub>	1 <sup>1</sup> / <sub>4</sub> "		6OD-JC1 <sup>1</sup> / <sub>4</sub>
11 <sup>3</sup> / <sub>4</sub>		1 <sup>3</sup> / <sub>8</sub>	5 <sup>1</sup> / <sub>8</sub>	2 <sup>9</sup> / <sub>16</sub>	1"	6 <sup>5</sup> / <sub>8</sub> "	6-JC1
12 <sup>3</sup> / <sub>4</sub>	1 <sup>1</sup> / <sub>8</sub>	1 <sup>7</sup> / <sub>16</sub>	5 <sup>1</sup> / <sub>4</sub>	2 <sup>1</sup> / <sub>2</sub>	1 <sup>1</sup> / <sub>4</sub> "		6-JC1 <sup>1</sup> / <sub>4</sub>
12		1 <sup>3</sup> / <sub>8</sub>	5 <sup>1</sup> / <sub>8</sub>	2 <sup>9</sup> / <sub>16</sub>	1"	7"	7-JC14
13	1 <sup>1</sup> / <sub>8</sub>	1 <sup>7</sup> / <sub>16</sub>	5 <sup>1</sup> / <sub>4</sub>	2 <sup>1</sup> / <sub>2</sub>	1 <sup>1</sup> / <sub>4</sub> "		7-JC1 <sup>1</sup> / <sub>4</sub>



MANUFACTURERS OF QUALITY WATER WELL ACCESSORIES

©2004, MAASS Midwest Manufacturing, Inc. All rights reserved.

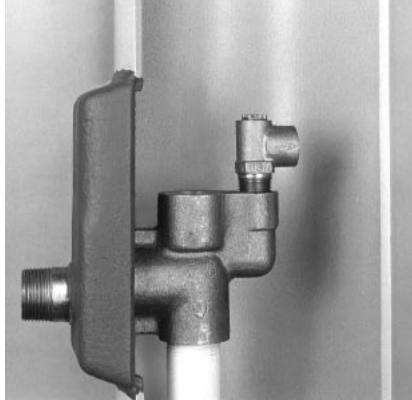
P. O. Box 547, 11283 Dundee Road, Huntley, IL 60142-0547

(800) 323-6259 • IL AREA (847) 669-5135

MEMBER:



# MAASS™ Model J and JC Style PITLESS ACCESSORY OPTIONS



**PA Option with  
P12 Pressure Relief Valve**

## PA (PITLESS ACCESSORY) OPTION

Now available for Maass™ 1" Model J Style Adapters, a 1/2" NPT accessory outlet for the brass insert located in the well.

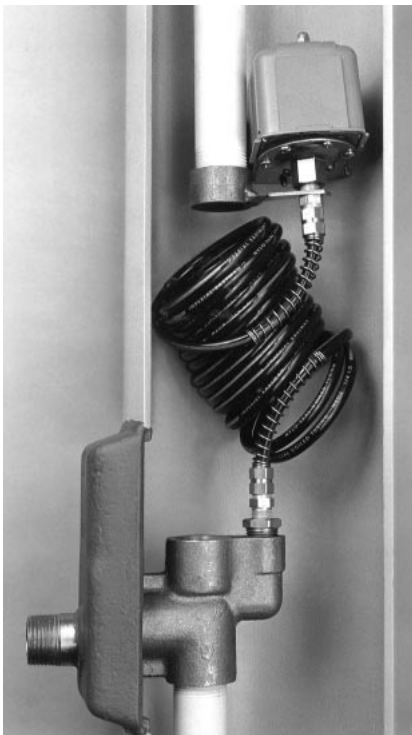
**ASK FOR THE PA (PITLESS ACCESSORY) OPTION.**

**For in well placement of:**

- ◆ Pressure Relief Valve
- ◆ Drain Valve
- ◆ Pressure Switch
- ◆ Transducers

Available for Model J Weld-on adapters, JC Clamp-on adapters, and JX Style pitless units with 1" outlet. The PA Option fits 5" ID or larger well casings.

PART NUMBER	MODEL NUMBER
928000	5J1-PA
928002	6J1-PA
928004	6JC1-PA
928006	5JC1-PA
928003	5ODJC1-PA



**PA Option with Pressure  
Switch and PSP Package**

## PSP (PRESSURE SWITCH PACKAGE)

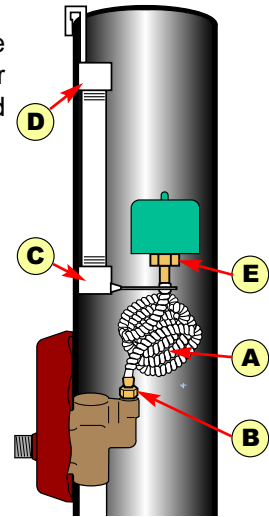
For locating the pressure switch in the well, use Maass' PSP (Pressure Switch Package). Our PSP allows for easy, economical installation and removal of the pressure switch in the well.

**Ask for the PSP (Pressure Switch Package).**

**Pressure Switch Package includes:**

- A.** 1/4"x 9' (usable length) coiled waterline with 1/4" NPT male ends.
- B.** 1/4" x 1/2" brass bushing.
- C.** 1" NPT coupling with SS bracket for pressure switch.
- D.** 1" NPT coupling with SS hanger bracket.
- E.** Pulsation plug for pressure switch.

Package is for 5" ID or larger well casing. PSP package to be used in conjunction with Maass' PA Option shown above.



Part Number	Model Number
928005	PSP Pressure Switch Package

**NOTE:** It is the customer's responsibility for ordering and installing proper product to meet local, state and federal code regulations.



**MANUFACTURERS OF QUALITY WATER WELL ACCESSORIES**

©2004, MAASS Midwest Manufacturing, Inc. All rights reserved.

P. O. Box 547, 11283 Dundee Road, Huntley, IL 60142-0547  
(800) 323-6259 • IL AREA (847) 669-5135

MEMBER:



LISTED PAS-97(04)  
PITLESS ADAPTER STANDARD

