

ALPHABETICAL INDEX

| | |
|------------------------------------|-------|
| A Air Charger..... | 44 |
| Air Valves..... | 40 |
| Air Vents, copper, PVC, Steel..... | 27 |
| Air Volume Control..... | 41 |
| Alarm Systems, Tank..... | 36 |
| Aluminum Well Caps..... | 16-17 |

| | |
|---------------------------|----|
| B Ball Valves..... | 52 |
| Boiler Drain..... | 52 |
| Bracket, Wall Mount..... | 45 |

| | |
|----------------------------------|--------|
| C Cable Ties..... | 37 |
| Cast Iron Well Caps..... | 16 |
| CENTRALIZERS | |
| Stainless Steel..... | 74 |
| Kwik-Zip..... | 74 |
| Check Valves..... | 1-3 |
| Clamps, Ideal R..... | 40 |
| Concentric Reducer..... | 8 |
| Control Panel..... | 11, 35 |
| COUPLINGS | |
| Compression..... | 54 |
| Drive..... | 26 |
| Full Weld..... | 55 |
| Merchant..... | 54 |
| PVC Drop Pipe Coupling, 11P..... | 55 |
| Slip, Tool, Turned..... | 54 |
| Stainless Steel..... | 55 |
| Straub Grip L..... | 55 |
| Water Well Reamed & Drifted..... | 54 |
| Weld-on Couplings..... | 55 |
| Cup Leathers..... | 68-69 |
| CYLINDERS | |
| 442..... | 62 |
| 449B, A76, 443, 450..... | 63 |
| Cylinder Repair Parts..... | 65-67 |

| | |
|---------------------------|-------|
| D Dole Valves..... | 42 |
| Drawdown Seals..... | 53 |
| Drive Caps..... | 25 |
| Drive Couplings..... | 25 |
| Drive Shoes, Steel..... | 60-61 |

| | |
|--------------------------------|----|
| E Eureka Cylinders..... | 63 |
|--------------------------------|----|

| | |
|---------------------------------------|-------|
| F Filter, Pond/Irrigation..... | 18 |
| Filters, Spindown..... | 21 |
| Fittings, Rough Brass, | |
| Threaded..... | 56-58 |
| Foot Valves: Brass, Iron, | |
| Delrin™..... | 3, 69 |
| Flowing Well Packer..... | 74 |
| Flowsleeve..... | 19 |

| | |
|---------------------------------|-------|
| G Gate Valves..... | 52 |
| Gauge Panel Mounting Clamp..... | 33 |
| Gauge, Pressure..... | 32-33 |
| Geothermal Pitless Unit..... | 20 |
| Geothermal Brass Fittings..... | 20 |
| Grounding Clamp..... | 37 |
| Guards, Cable..... | 40 |

| | |
|---------------------------------|----|
| H Heat Gun, Torch..... | 31 |
| Heat Shrink Splice Kits..... | 36 |
| HG Flow Control Regulators..... | 43 |
| Hose Bibb..... | 52 |
| Hydrant Drain Box..... | 70 |
| Hydrant, Yard..... | 70 |

| | |
|-----------------------------|-------|
| I Insert Fitting | |
| Insert Spray..... | 30 |
| Dickens Cast Red Brass..... | 48-49 |
| Red Brass..... | 50 |
| Galvanized Steel..... | 50-51 |
| Poly Plus, Nylon..... | 51 |
| Stainless Steel..... | 72 |

| | |
|----------------------------------|----|
| J Joint Screens, PVC..... | 72 |
| Joint Riser, PVC..... | 72 |

| | |
|---|----|
| M Manifold, Constant Pressure..... | 45 |
|---|----|

| | |
|-----------------------------|----|
| N Neoprene Cups..... | 69 |
| NIPPLES | |
| Pipe Brass..... | 59 |
| PVC..... | 60 |
| Nylon Insert Fittings..... | 51 |

| | |
|-------------------|-------------------|
| O Ordering | |
| Instructions..... | Inside Back Cover |
| O-Rings..... | 12 |

| | |
|------------------------------------|--------|
| P Packers/Seals..... | 53 |
| Packer, Formation..... | 53 |
| Pail Opener..... | 30 |
| Pipe Holder..... | 48 |
| Pitless Adapter Accessories..... | 15 |
| Pitless Adapters..... | 5-7 |
| Pitless Adapters, Remediation..... | 71 |
| Pitless Adapter, O-Rings..... | 12 |
| Pitless Connectors..... | 56 |
| Pitless Units..... | 8-10 |
| Plastic Compression Couplings..... | 54 |
| Plastic Foot Valves..... | 4 |
| Plastic Insert Fittings..... | 51 |
| Poly & Nylon Insert Fittings..... | 51 |
| Pond/Irrigation Filter..... | 18 |
| Plastic Well Caps..... | 17 |
| Pressure Gauges..... | 32-33 |
| Pressure Switches..... | 34, 36 |
| Pressure Snubber..... | 39 |
| Protective Well Enclosure..... | 12 |
| Pump, Pitcher..... | 41 |
| Pump Rod, Steel..... | 64 |
| Pump Stop Valves..... | 4 |
| Pump Strainer, Submersible..... | 19 |
| Pump Switch, Mechanical..... | 36 |

| | |
|-----------------------------|----|
| R Relief Valves..... | 39 |
| Rod Couplings..... | 64 |
| Rope, Polypropylene..... | 38 |

| | |
|---|-------|
| S Sandblocker™ Well Screens..... | 24 |
| Sand Bucket..... | 48 |
| Sand Shark..... | 26 |
| Seals, Drawdown..... | 53 |
| Sediment Filters..... | 21-23 |
| Sewage Adapters..... | 13-14 |
| Shale Trap/Formation Packer..... | 53 |
| Shoes, Drive..... | 60-61 |
| Spigot, PVS..... | 56 |
| SPLICE KITS | |

| | |
|------------------------------|----|
| Butt Splice Connectors..... | 37 |
| Heat Shrink Splice Kits..... | 37 |
| Underground Cable | |
| Splice Kits..... | 36 |

| | |
|--------------------------------------|-------|
| S <i>continued</i> | |
| Stainless Steel Insert Fittings..... | 73 |
| Standpipe Adapter Couplings..... | 56 |
| Steel Insert Fittings..... | 50-51 |
| Steel Well Seals..... | 29-30 |
| Strainers, Steel..... | 19 |
| Stuffing Box, Windmill..... | 65 |
| Submersible Cable Guards..... | 39 |
| Surge Arrestor..... | 38 |

| | |
|----------------------------------|-------|
| T Tank Alarm Systems..... | 36 |
| Tank Tees..... | 46 |
| Tape, Electrical..... | 37-38 |
| Tape, 3M Vinyl..... | 38 |
| Tape, Linerless..... | 38 |
| Tape, PTFE..... | 38 |
| Tape, Self-Fusing Silicone..... | 38 |
| Taper Taps..... | 47 |
| Tool Couplings..... | 54 |
| Torque Arrestor..... | 40 |
| Torch Cutting Guide..... | 7 |
| Tubular Check Valves..... | 62 |
| Turned Couplings..... | 54 |

| | |
|------------------------------|-------|
| V Vacuum Breaker..... | 52 |
| Valve Leathers..... | 68-69 |
| VALVES | |

| | |
|--------------------------|-------|
| Air, Series 654/655..... | 39 |
| Backwash..... | 26 |
| Ball..... | 52 |
| Bremer..... | 62 |
| Bleeder..... | 40 |
| Check..... | 1-3 |
| Dole..... | 42 |
| Ductile Iron..... | 2 |
| Flow Control, HG..... | 43 |
| Foot..... | 3, 69 |
| Gate..... | 52 |
| Sample..... | 52 |
| Relief..... | 34 |
| Tubular..... | 62 |
| VFD Package..... | 45 |

| | |
|-------------------------------------|--------|
| W Wasp and Hornet Spray..... | 31 |
| Water Level Gauge..... | 34 |
| Watertight Conduit Caps..... | 16-17 |
| Well Buster..... | 74 |
| Well Caps..... | 16-17 |
| Well Caps, Locking..... | 16, 72 |
| Well Enclosure, Protective..... | 12 |
| Well Packer, Well Buster..... | 74 |
| WELL POINTS | |

| | |
|---------------------------------------|-------|
| Drive, SS Jacket..... | 25 |
| Flush..... | 25 |
| Monitoring..... | 73 |
| Open End Well Screens..... | 23 |
| Washer, SS..... | 26 |
| Well Screens, Sandblocker™..... | 24 |
| Well Seals..... | 27-31 |
| Wire Connectors, Silicone-Filled..... | 37 |
| Wire Spud..... | 49 |

| | |
|----------------------------|----|
| Y Yard Hydrant..... | 70 |
|----------------------------|----|

CHECK VALVES



531 CHECK VALVE | 1/2# cracking pressure | Patented

Features:

- The mating pipe cannot block the valve from operating
- Longer threads make for an excellent valve when used with PVC pipe
- The Celcon guide compresses into the valve body preventing the valve from coming apart during operation
- Celcon guide and poppet manufactured from same materials for longer wearability
- Square hole in Celcon guide prevents grit retention, eliminates wear
- Celcon bullet shaped poppet for smooth flow, excellent for VFD pumps
- Tapered seat washes clean
- Coined seat for smooth hardened surface
- The seat I.D. is the same as the mating pipe I.D. - a full flow valve 40-60% greater flow than industry standard
- For vertical use
- All of these features are contained in a water works grade 81 Red Brass body
- Excellent for hot water heat systems; rated at 180 degrees
- Lead Free: ≤ .025% Lead Content

| Part Number | Size (Inches) | Weight (lbs) | Quantity/Carton | List Price Each |
|-------------|---------------|--------------|-----------------|-------------------------|
| 922823 | 1 | 0.8 | 25 | See separate price list |
| 922824 | 1-1/4 | 1.3 | 25 | |
| 922825 | 1-1/2 | 1.6 | IND. | |
| 922826 | 2 | 2.8 | IND. | |

- Female x Female In-line Check



531

529 CHECK VALVE | 1/2# cracking pressure | Patented

- Lead Free: ≤ .025% Lead Content

| Part Number | Size (Inches) | Weight (lbs) | Quantity/Carton | List Price Each |
|-------------|---------------|--------------|-----------------|-------------------------|
| 922605 | 1 x 1 | 0.8 | 25 | See separate price list |
| 922606 | 1-1/4 x 1 | 0.9 | 25 | |
| 922607 | 1-1/4 x 1-1/4 | 1.2 | 25 | |
| 922608 | 2 X 2 | 2.6 | IND. | |

- Male x Female In-line Check (pump head use)



529

529 XLT CHECK VALVE | Patented

Features:

- Designed for special Bell Socket PVC Drop Pipe
- Lead Free: ≤ .025% Lead Content

| Part Number | Size (Inches) | Weight (lbs) | Quantity/Carton | List Price Each |
|-------------|---------------|--------------|-----------------|-------------------------|
| 922700 | 1 | 1.0 | 25 | See separate price list |
| 922702 | 1-1/4 | 1.5 | 25 | |
| 922704 | 2 | 3.3 | IND. | |

- Male x Female



529XLT

530 CHECK VALVE | 1# cracking pressure

Features:

- Heavy red brass body for maximum strength
- Spool type brass poppet eliminates sticking
- Buna-n rubber facing for water, oil or gas
- Silent operation in horizontal or vertical position
- Can be used with water, oil or gas
- Lead Free: ≤ .025% Lead Content

| Part Number | Size (Inches) | Weight (lbs) | Quantity/Carton | List Price Each |
|-------------|---------------|--------------|-----------------|-------------------------|
| 922579 | 1/2 | 0.6 | 25 | See separate price list |
| 922582 | 3/4 | 1.2 | 25 | |
| 922585 | 1 | 1.5 | 25 | |
| 922588 | 1-1/4 | 1.8 | 25 | |
| 922591 | 1-1/2 | 2.5 | IND. | |
| 922594 | 2 | 3.8 | IND. | |
| 922597 | 2-1/2 | 7.0 | IND. | |
| 922600 | 3 | 13.0 | IND. | |
| 922603 | 4 | 38.0 | IND. | |

- Female x Female In-line Check



530

Note: All brass foot and check valves rated at 200 psi at 180°F operating temperature.

CHECK VALVES

CHECK VALVES

CHECK VALVES
DUCTILE IRON CHECK VALVES



536-S



538-S



539-S

536-S TAPPED CHECK VALVE

Features:

- One 1/8" hole for 645 air valve on inlet side
- Lead Free: ≤ .025% Lead Content

| Part Number | Size (Inches) | Weight (lbs) | Quantity/Carton | List Price Each |
|-------------|---------------|--------------|-----------------|-------------------------|
| 922655 | 1 | 0.8 | 1.5 | See separate price list |
| 922656 | 1-1/4 | 0.9 | 2.0 | |
| 922657 | 1-1/2 | 1.2 | 3.0 | |
| 922660 | 2 | 2.6 | 4.0 | |

• Female x Female Check

538-S TAPPED CHECK VALVE

Features:

- One 1/8" hole for 645 air valve on inlet side
- One 1/4" hole for pressure switch on outlet side
- Lead Free: ≤ .025% Lead Content

| Part Number | Size (Inches) | Weight (lbs) | List Price Each |
|-------------|---------------|--------------|-------------------------|
| 922687 | 1 | 1.5 | See separate price list |
| 922690 | 1-1/4 | 2.0 | |
| 922693 | 1-1/2 | 3.0 | |
| 922694 | 2 | 4.0 | |

• Female x Female Check

539-S TAPPED CHECK VALVE

Features:

- Two 1/4" holes - 90° apart on outlet side
- Lead Free: ≤ .025% Lead Content

| Part Number | Size (Inches) | Weight (lbs) | List Price Each |
|-------------|---------------|--------------|-------------------------|
| 922715 | 1 | 1.5 | See separate price list |
| 922716 | 1-1/4 | 2.0 | |

• Female x Female Check

DUCTILE IRON CHECK VALVES

DUCTILE IRON CHECK VALVES



600



Break Off Plug Only



630

600 SPRING LOADED CHECK VALVE

Features:

- Ductile iron body
- Stainless steel spring and nut
- Lead free (≤ 0.25% lead content)
- Powder coated finish
- Silicone bronze poppet

| Part Number | Size (Inches) | Weight (lbs) | List Price Each |
|-------------|---------------|--------------|-------------------------|
| 922795 | 6 | 48.7 | See separate price list |
| 922796 | 8 | 63.7 | |

• Female x Female Inline Check

600 SPRING LOADED CHECK VALVE WITH BREAK OFF PLUG

Features:

- Include 1/2" stainless steel break off plug

| Part Number | Size (Inches) | Weight (lbs) | List Price Each |
|-------------|---------------|--------------|-------------------------|
| 922797 | 6 | 49.0 | See separate price list |
| 922798 | 8 | 64.0 | |

• Female x Female Inline Check

BREAK OFF PLUG ONLY

Features:

- Includes 1/2" stainless steel as standard

| Part Number | Size (Inches) | Weight (lbs) | List Price Each |
|-------------|---------------|--------------|-------------------------|
| 922561 | 1/2 | 0.50 | See separate price list |

630 SPRING LOADED CHECK VALVE

Features:

- Designed for VFD systems
- Stainless steel spring and nut
- Ductile Iron body
- Stabilizer sleeve increases contact area
- Lead free (≤ 0.25% lead content)
- 600 PSI working pressure

| Part Number | Size (Inches) | Weight (lbs) | List Price Each |
|-------------|---------------|--------------|-------------------------|
| 922800 | 3 | 11.7 | See separate price list |
| 922801 | 4 | 26.1 | |
| 922802 | 5 | 33.7 | |
| 922803 | 6 | 49.1 | |

• Female x Male

FOOT VALVES

534 FOOT VALVE

Features:

- Heavy red brass body
- Brass spool type poppet
- Brass screen strainer
- Rubber facing for water, oil and gas
- Lead free ($\leq 0.25\%$ lead content)

| Part Number | Size (Inches) | Size of Pipe Valve Valve Fits Inside | Weight (lbs) | List Price Each |
|-------------|---------------|--------------------------------------|--------------|-------------------------|
| 922747 | 1 | 1-1/2 | 0.8 | See separate price list |
| 922750 | 1-1/4 | 2 | 1.0 | |



534

634 FOOT VALVE

Features:

- Heavy red brass body
- Brass O-ring type poppet
- Stainless steel screen strainer
- Lead free ($\leq 0.25\%$ lead content)

| Part Number | Size (Inches) | Weight (lbs) | List Price Each |
|-------------|---------------|--------------|-------------------------|
| 922776 | 3/4 | 0.53 | See separate price list |
| 922777 | 1 | 0.74 | |
| 922778 | 1-1/4 | 1.26 | |
| 922779 | 1-1/2 | 1.50 | |
| 922780 | 2 | 2.72 | |
| 922782 | 3 | 9.00 | |
| 922789 | 4 | 16.50 | |
| 922790 | 6 | 35.00 | |



634

540 FOOT VALVE

Features:

- Cast iron body and strainer
- Leather flapper check
- Open area of strainer exceeds pipe area
- Tapped IPS
- Use for irrigation or drainage or effluent

| Part Number | Size (Inches) | Finish | Weight/Lbs. | List Price Each |
|-------------|---------------|--------|-------------|-------------------------|
| 931671 | 2 | PTD | 5.5 | See separate price list |
| 931673 | 3 | PTD | 10.5 | |
| 931674 | 4 | PTD | 18.6 | |
| 931676 | 6 | PTD | 48.55 | |



540

500 FOOT VALVE (Strainer Only)

Features:

- Reduces inventory - can be used on any female tapped check valve
- Strainer made of plastic

| Part Number | Size (Inches) | Weight (lbs) | List Price Each |
|-------------|---------------|--------------|-------------------------|
| 542750 | 1 | 0.1 | See separate price list |
| 542755 | 1-1/4 | 0.1 | |
| 542760 | 1-1/2 | 0.2 | |



500

FV4-1 FOOT VALVE

Features:

- Manufactured from Delrin™

| Part Number | Size (Inches) | Weight (lbs) | List Price Each |
|-------------|---------------|-------------------------------|-------------------------|
| 922860 | FV4-1 | Fits 3/4" to 1 1/2" pipe size | See separate price list |



FV4-1

CYCLE SLAYER PUMP STOP VALVES



Features:

- Controls pump cycling, reducing amount of electricity used by the pump
- Eliminates early pump failure and reduces pump cycling, increasing the life of pumps
- Reduces the size of pressure tank necessary
- Adjustable bypass valves easily control run-time
- Prevents and controls water hammer

PLASTIC FIXED PRESSURE SERIES

Features:

- 1" valve can be used in 4" or larger well
- Preset to 50 psi
- 1/4" valve can be used in 5" or larger well
- Tank fill rate 2.95 gpm
- Lead free ($\leq 0.025\%$ lead content)
- Thermoplastic construction

Friction Loss Data, Plastic Models: Flow Rates - GPM/Gallons per Minute

| Part Number | Model | Size | Preset | 5 | 10 | 15 | 20 | 30 | 40 | 50 | 60 | 85 | 100 | List Price Ea. |
|-------------|---------|--------|--------|------|------|-------|------|------|------|------|------|------|-----|-------------------------|
| 935822-40 | PS-100P | 1" | 40 PSI | 3.36 | 2.60 | 1.822 | 2.35 | 5.40 | | | | | | See separate price list |
| 935822-50 | PS-100P | 1" | 50 PSI | | | | | | | | | | | |
| 935822-60 | PS-100P | 1" | 60 PSI | | | | | | | | | | | |
| 935824-40 | PS-125P | 1-1/4" | 40 PSI | | | | 3.04 | 2.66 | 2.33 | 2.97 | 4.14 | 5.62 | | |



IN-WELL COUPLING ADAPTOR

| Part Number | Model | Size | Description | List Price Each |
|-------------|-------|--------|----------------------|-------------------------|
| 935826 | PS-WC | 1" | Well Couping Adapter | See separate price list |
| 935828 | PS-WC | 1-1/4" | Well Couping Adapter | |

BRASS SERIES

Features:

- Bronze or stainless steel body
- Double union inlet and outlet construction
- Thermoplastic seat
- By-pass feature controls expansion pressure
- Sealed spring cage for accessible outdoor installations
- Lead free ($\leq 0.25\%$ lead content)
- Metal cage

Friction Loss Data, Plastic Models: Flow Rates - GPM/Gallons per Minute

| Part No. | Model | Size/Description | 5 | 10 | 15 | 20 | 30 | 40 | 50 | 60 | 85 | 100 | List Price Ea. |
|----------|--------------|-----------------------|---|-----|----|-----|----|----|----|----|----|-----|-------------------------|
| 935812 | PS100B-1 | 1"Adj. 25-75 PSI | | 7.5 | | 13 | 22 | | | | | | See separate price list |
| 935814 | PS125B-1-1/4 | 1-1/4" Adj. 25-75 PSI | | 6 | | 7.5 | 9 | 11 | 13 | 16 | 21 | | |
| 935836 | PS125B-1-1/4 | Adj. 20-90 PSI | | | | | | | | | | | See separate price list |
| 935838 | PS200B-2 | Adj. 20-90 PSI | | | | | | | | | | | |



CAST IRON SERIES

Features:

- Adjustable by-pass
- Bronze body construction
- Field serviced without removal of valve
- Liquid-filled stainless steel gauge
- Adjustable 25-85 PSI
- Stainless steel control lines
- Lead free ($\leq 0.025\%$ lead content)

Friction Loss Data, Plastic Models: Flow Rates - GPM/Gallons per Minute

| Part No. | Model | Size | Type | 30 | 40 | 60 | 80 | 100 | 200 | 400 | 600 | 800 | 1000 | List Price Ea. |
|----------|-----------|------|-------|----|-----|------|------|-----|-----|-----|------|------|------|-------------------------|
| 935802 | PS-200 CI | 2" | Globe | .2 | .33 | .7 | 1.22 | 2.0 | 8.0 | | | | | See separate price list |
| 935804 | PS-300 CI | 3" | Globe | | | 1.22 | .2 | .3 | 1.2 | 5.0 | 12.0 | 18.0 | | |
| 935806 | PS-400 CI | 4" | Globe | | | | | | 4.0 | 4.0 | 8.0 | 15.0 | 24.0 | |



dicken™ PITLESS ADAPTERS



Features:

- Precision machined all red brass castings with neoprene O-ring
- Large inner and outer rubber gaskets to seal out surface water contamination
- All Dicken pitless adapters are pressure tested to 150 psi
- Chamfered slide for fast and easy installation
- Wrench grip on ell speeds installation
- A built in lowering eyelet for easier installation
- Water System Council - ASSE#1093(2014)(R2003)WSC PAS-97(2014)(R2023)
- Lead Free: ≤ .025% Lead Content



DICKENS PITLESS ADAPTERS

| Part Number | Model | Discharge Pipe (Inches) | Supply Pipe (Inches) | Casing Size (Inches) I.D. | Hole Size Required (Inches) | Shipping Weight (lbs-oz.) | Working Load (lbs.) | Quantity/ Carton |
|-------------|------------------------------|-------------------------|----------------------|---------------------------|-----------------------------|---------------------------|---------------------|------------------|
| 952156 | JR-S-10 | 1 | 1 | 4-1/2 to 12 | 1 5/8 | 2 lbs. 5 oz. | 1500 | 12 |
| 952158 | *JR-S-10-P | 1 | 1 | 4-1/2 to 12 | 1 5/8 | 2 lbs. 5 oz. | 1500 | 12 |
| 952110 | LD-S-10 | 1 | 1 | 5 to 12 | 1-3/4 | 4 lbs. 2 oz. | 2000 | 12 |
| 952160 | *LD-S-10-P | 1 | 1 | 5 to 12 | 1-3/4 | 4 lbs. 3 oz. | 2000 | 12 |
| 952112 | LD-S-12 | 1-1/4 | 1-1/4 | 5 to 12 | 2-1/4 | 5 lbs. 8 oz. | 2000 | 8 |
| 952162 | LD-S-12-P | 1-1/4 | 1-1/4 | 5 to 12 | 2 -1/4 | 5 lbs. 9 oz. | 2000 | 8 |
| 952010 | S-10 | 1 | 1 | 5 to 12 | 1-3/4 | 5 lbs.13 oz. | 5000 | 8 |
| 952012 | S-12 | 1-1/4 | 1-1/4 | 5 to 12 | 2-1/4 | 8 lbs. 2 oz. | 5000 | 6 |
| 952015 | S-15 | 1-1/2 | 1-1/2 | 5-3/16 to 12 | 2-5/8 | 10 lbs.12 oz. | 5000 | 6 |
| 952016 | S-15P | 1-1/2 | 1-1/2 | 5-3/16 to 12 | 2-5/8 | 10 lbs.12 oz. | 5000 | 6 |
| 952020 | S-20 | 2 | 2 | 5-5/8 to 12 | 3-1/8 | 14 lbs. 4 oz | 5000 | 4 |
| 952150 | LD-2-X upper LD-2-X lower | 1-1/4 1 | 1-1/4 1 | 4-1/2 to 12 | 2-1/4 1-3/4 | 11 lbs. 9 oz. | 2000 | 6 |

- Pressurized model available for counties and states where required.
- JR-S-10 may be used on 4” casing with 3” pump.
- NOTE: Part Number 952015 Model S-15 not designed for STR17 5” PVC casing.

CLEARWAY PITLESS ADAPTER | Patented

Features:

- Simple slip fit insert
- Easy installation by cutting 2 3/4” hole and clamping on
- Clamp on units for no obstruction in well casing ID
- Lead Free: ≤ .025% Lead Content

| Part Number | Model | Discharge Pipe (Inches) | Supply Pipe (Inches) | Casing Size (Inches) I.D./O.D. | Hole Size Required (Inches) | Shipping Weight (lbs-oz.) | Working Load (lbs.) | Quantity/ Carton | |
|-------------|--------------|-------------------------|----------------------|--------------------------------|-----------------------------|---------------------------|---------------------|------------------|---|
| 952040 | CW-4-10 | 1 | 1 | 4 4-1/2 | 4-1/2 | 2-3/4 | 5 lbs. 1 oz. | 2000 | 6 |
| 952050 | CW-5-10 | 1 | 1 | 5 5-9/16 | 5 | 2-3/4 | 5 lbs. 0 oz. | 2000 | 6 |
| 952060 | CW-6-10 | 1 | 1 | 6 6-5/8 | 6 | 2-3/4 | 5 lbs. 14 oz. | 2000 | 6 |
| 952045 | CW-4-10-WA | 1 | 1 | 4 4-1/2 | 4-1/2 | 2-3/4 | 6 lbs. 0 oz. | 2000 | 6 |
| 952047 | CW-4.5-10-WA | 1 | 1 | 4-1/2 5 | 5 | 2-3/4 | 6 lbs. 8 oz. | 2000 | 6 |
| 952055 | CW-5-10-WA | 1 | 1 | 5 5-9/16 | 5 | 2-3/4 | 6 lbs. 8 oz. | 2000 | 6 |
| 952065 | CW-4-12-WA | 1-1/4 | 1-1/4 | 4 4-1/2 | 4-1/2 | 2-3/4 | 6 lbs. 5 oz. | 2000 | 6 |
| 952066 | CW-4.5-12-WA | 1-1/4 | 1-1/4 | 4-1/2 5 | 5 | 2-3/4 | 6 lbs. 12 oz. | 2000 | 6 |
| 952067 | CW-5-12-WA | 1-1/4 | 1-1/4 | 5 5-9/16 | 5 | 2-3/4 | 6 lbs. 5 oz. | 2000 | 6 |
| 952068 | CW-6-12-WA | 1-1/4 | 1-1/4 | 6 6-5/8 | 6 | 2-3/4 | 6 lbs. 15 oz. | 2000 | 6 |



MAASS™ PITLESS ADAPTERS



MAASS MODEL J SERIES OF PITLESS ADAPTER AND UNITS ALL FEATURE:

- Water contacts only 304 stainless steel and brass, eliminates rust, corrosion, and electrolysis in the adapter
- Durable cast steel housing
- Tapered 8° slip fitting for easy installation and removal of brass insert
- No obstruction left in well casing when brass insert is pulled
- Designed for shallow or deep settings and high working pressures
- Water System Council - ASSE#1093(2014)(R2003)WSC PAS-97(2014)(R2023)
- Lead Free: ≤ .025% Lead Content

MAASS MODEL J WELD-ON PITLESS ADAPTER | Patented

- Features:
- Permanently installed by welding for increased strength and durability
 - J Series of adapters and units available with stainless steel, nickel-bronze inserts, stainless steel housings, and viton or teflon O-rings
 - Only two one inch outlet size Model J Pitless needed to fit all well casing sizes
 - Lead Free: ≤ .025% Lead Content



| Part Number | Model | Discharge Pipe (Inches) | Drop Pipe (Inches) | I.D. Casing Size (Inches) | Weight (Lbs.) | Working Load (lbs.) | List Price Each |
|-------------|---------|-------------------------|--------------------|---------------------------|---------------|---------------------|-------------------------|
| 928100 | 4J1 | 1 | 1 | 4-5 | 6.0 | 4000 | See separate price list |
| 928105 | 4J1 1/4 | 1-1/4 | 1-1/4 | 4-5 | 7.0 | 5000 | |
| 928110 | 4J1 1/2 | 1-1/2 | 1-1/2 | 4-5 | 8.5 | 5000 | |
| 928115 | 5J2 | 2 | 2 | 5 | 12.0 | 6000 | |
| 928120 | 6J1 | 1 | 1 | 6-7-8+ | 6.0 | 4000 | |
| 928125 | 6J1 1/4 | 1-1/4 | 1-1/4 | 6-7-8+ | 7.0 | 5000 | |
| 928130 | 6J1 1/2 | 1-1/2 | 1-1/2 | 6-7-8+ | 8.5 | 5000 | |
| 928135 | 6J2 | 2 | 2 | 6-7-8+ | 12.0 | 6000 | |
| 928140 | 6J2 1/2 | 2-1/2 | 2-1/2 | 6-7-8+ | 18.0 | 8000 | |
| 928145 | 8J3 | 3 | 3 | 8-10-12+ | 32.0 | 10000 | |
| 928150 | 10J4 | 4 | 4 | 10-12-14+ | 50.0 | 15000 | |

MAASS MODEL J SERIES ALL WETTED PARTS 304 STAINLESS WELD ON PITLESS ADAPTERS

- Features:
- 304 Stainless Steel Insert
 - Made in the USA
 - Manufactured in the USA with foreign and domestic components

| Part Number | Model | Discharge Pipe (Inches) | Drop Pipe (Inches) | I.D. Casing Size (Inches) | Weight (Lbs.) | Working Load (lbs.) | List Price Each |
|-------------|------------|-------------------------|--------------------|---------------------------|---------------|---------------------|-------------------------|
| 928100WS | 4J1 WS | 1 | 1 | 4-5 | 6.0 | 4000 | See separate price list |
| 928105WS | 4J1-1/4 WS | 1-1/4 | 1-1/4 | 4-5 | 7.0 | 5000 | |
| 928120WS | 6J1 WS | 1 | 1 | 6-7-8+ | 6.0 | 4000 | |
| 928125WS | 6J1-1/4 WS | 1-1/4 | 1-1/4 | 6-7-8+ | 7.0 | 5000 | |
| 928135WS | 6J2 WS | 2 | 2 | 6-7-8+ | 12.0 | 6000 | |
| 928145WS | 8J3WS | 3 | 3 | 8-10-12+ | 32.0 | 10,000 | |

MAASS MODEL JJ WELD-ON PITLESS ADAPTER FOR SUCTION PUMPS | Patented

- Features:
- Lateral (2") can be pressurized to meet state codes
 - Wisconsin and Michigan State approved



| Part Number | Model | Discharge Pipe (Inches) | Drop Pipe (Inches) | I.D. Casing Size (Inches) | Weight (Lbs.) | Working Load (lbs.) | List Price Each |
|-------------|----------|-------------------------|--------------------|---------------------------|---------------|---------------------|-------------------------|
| 928200 | 4JJ1 | 1 | 2 | 4-5 | 13.0 | 4000 | See separate price list |
| 928205 | 6JJ1 | 1 | 2 | 6-7-8 | 13.0 | 4000 | |
| 928210 | 4JJ1 1/4 | 1-1/4 | 2 | 4-5 | 14.0 | 5000 | |
| 928215 | 6JJ1 1/4 | 1-1/4 | 2 | 6-7-8 | 14.0 | 5000 | |

MAASS™ PITLESS ADAPTERS

MAASS MODEL JC CLAMP-ON PITLESS ADAPTER | Patented

Features:

- 304 stainless steel clamps and nuts
- Cast steel lips support adapter housing on wall of well casing; no lock needed
- Ideal for use on either plastic or steel well casing
- Buna N rubber gasket seals cast steel housing against O.D. of well casing at point of attachment
- Lead Free: ≤ .025% Lead Content



MAASS™ PITLESS ADAPTERS

| Part Number | Model | Discharge Pipe (Inches) | Drop Pipe (Inches) | O.D. Casing Size (Inches) | Weight (Lbs.) | Working Load (lbs.) | List Price Each |
|-------------|------------|-------------------------|--------------------|---------------------------|---------------|---------------------|-------------------------|
| 928300 | 4JC1 | 1 | 1 | 4-1/2 | 11.0 | 4000 | See separate price list |
| 928305 | 50DJC1 | 1 | 1 | 5 | 11.0 | 4000 | |
| 928310 | 5JC1 | 1 | 1 | 5-9/16 | 11.0 | 4000 | |
| 928315 | 60DJC1 | 1 | 1 | 6 | 11.75 | 4000 | |
| 928320 | 6JC1 | 1 | 1 | 6-5/8 | 11.75 | 4000 | |
| 928326 | 6.9JC1 | 1 | 1 | 6.9 | 11.75 | 4000 | |
| 928325 | 70DJC1 | 1 | 1 | 7 | 12.0 | 4000 | |
| 928330 | 4JC1 1/4 | 1-1/4 | 1-1/4 | 4-1/2 | 11.75 | 4000 | |
| 928335 | 50DJC1 1/4 | 1-1/4 | 1-1/4 | 5 | 11.2 | 4000 | |
| 928340 | 5JC1 1/4 | 1-1/4 | 1-1/4 | 5-9/16 | 11.2 | 4000 | |
| 928345 | 60DJC1 1/4 | 1-1/4 | 1-1/4 | 6 | 12.75 | 4000 | |
| 928350 | 6JC1 1/4 | 1-1/4 | 1-1/4 | 6-5/8 | 12.75 | 4000 | |
| 928355 | 70DJC1 1/4 | 1-1/4 | 1-1/4 | 7 | 13.0 | 4000 | |

- **NOTE:** May be installed with 4 1/2" hand grinder and cutting wheel or cutting torch

MAASS MODEL JC ALL WETTED PARTS 304 STAINLESS CLAMP ON SERIES

Features:

- 304 Stainless Steel Ell Insert
- Made in the USA
- Assembled with foreign and domestic components

| Part Number | Model | Discharge Pipe (Inches) | Drop Pipe (Inches) | O.D. Casing Size (Inches) | Weight (Lbs.) | Working Load (lbs.) | List Price Each |
|-------------|-----------|-------------------------|--------------------|---------------------------|---------------|---------------------|-------------------------|
| 928300WS | 4JC1 WS | 1 | 1 | 4-4/2 | 11.0 | 4000 | See separate price list |
| 928305WS | 50DJC1 WS | 1 | 1 | 5 | 11.0 | 4000 | |
| 928310WS | 5JC1 WS | 1 | 1 | 5-9/16 | 11.0 | 4000 | |
| 928315WS | 60DJC1 WS | 1 | 1 | 6 | 11.75 | 4000 | |
| 928320WS | 6JC1 WS | 1 | 1 | 6-5/8 | 11.75 | 4000 | |
| 928325WS | 70DJC1 WS | 1 | 1 | 7 | 12.0 | 4000 | |

TORCH CUTTING GUIDE:

For ease of installation of Model J or JC Pitless Adapter. Please specify casing O.D. and discharge size when ordering

| Part Number | Model Number | List Price |
|-------------|--------------|-------------------------|
| 928010 | CG | See separate price list |

MAASS™ PITLESS UNITS

MODEL JX1 - PITLESS BURY UNITS | Patented



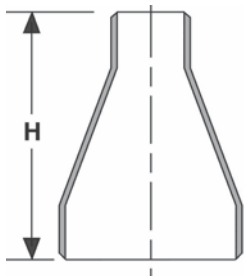
Features:

- Maass pitless units constructed of schedule 40 steel pipe
- Maass pitless units are Wisconsin, New York, Illinois and Michigan approved
- JX1 Unit meets Great Lakes and Upper Mississippi River Board of State Public Health and Environmental Managers Standards.
- Water System Council - ASSE#1093(2014)(R2003)WSC PAS-97(2014)(R2023)
- JX1 Units can come threaded or plain end for welding
- Specify bury depth when ordering JX1 Pitless Units
- PA Option and PSP Package available on 1" discharge models for pressure switch in the well in 5" or larger casing
- JX1 units have standard male threads for attachment at base
- Lead Free: ≤ .025% Lead Content

| Part Number | Model Number/Model | Well Casing Size | Water Outlet & Drop Pipe Size | List Price |
|-------------|--------------------|------------------|-------------------------------|-------------------------|
| 928500 | 4JX1-1 | 4 | 1 | See separate price list |
| 928505 | 4JX1-1 1/4 | 4 | 1-1/4 | |
| 928510 | 4JX1-1 1/2 | 4 | 1-1/2 | |
| 928515 | 5JX1-1 | 5 | 1 | |
| 928520 | 5JX1-1 1/4 | 5 | 1-1/4 | |
| 928525 | 5JX1-1 1/2 | 5 | 1-1/2 | |
| 928530 | 5JX1 - 2 | 5 | 2 | |
| 928535 | 6JX1-1 | 6 | 1 | |
| 928540 | 6JX1-1 1/4 | 6 | 1-1/4 | |
| 928545 | 6JX1-1 1/2 | 6 | 1-1/2 | |
| 928550 | 6JX1-2 | 6 | 2 | |
| 928555 | 6JX1-21/2 | 6 | 2-1/2 | |
| 928560 | 8JX1-1 | 8 | 1 | |
| 928565 | 8JX1-1 1/4 | 8 | 1-1/4 | |
| 928570 | 8JX1-1 1/2 | 8 | 1-1/2 | |
| 928575 | 8JX1-2 | 8 | 2 | |
| 928580 | 8JX1-2 1/2 | 8 | 2-1/2 | |
| 928585 | 8JX1-3 | 8 | 3 | |
| 928590 | 10JX1-2 | 10 | 2 | |
| 928595 | 10JX1-2 1/2 | 10 | 2-1/2 | |
| 928600 | 10JX1-3 | 10 | 3 | |
| 928605 | 10JX1-4 | 10 | 4 | |

- **NOTE: Other sizes and combinations of JX1 Pitless Units are available.**
- **JX1 units allow 12" above grade stick-up beyond bury depth - check local codes.**
- **Available with optional 304 SS ell inserts.**

MAASS PITLESS UNITS



CONCENTRIC REDUCERS

Feature:

- Fittings conform physically and chemically to ASTM Specification A106

| Part Number | Size | Height (H) | Standard Weight | List Price |
|-------------|----------|------------|-----------------|-------------------------|
| 003324 | 5" X 4" | 5" | 12-1/3 lbs. | See separate price list |
| 003325 | 8" x 6" | 6" | 13-1/4 lbs. | |
| 003326 | 10" x 8" | 7" | 22 lbs. | |

MAASS™ MODEL MB PITLESS UNIT

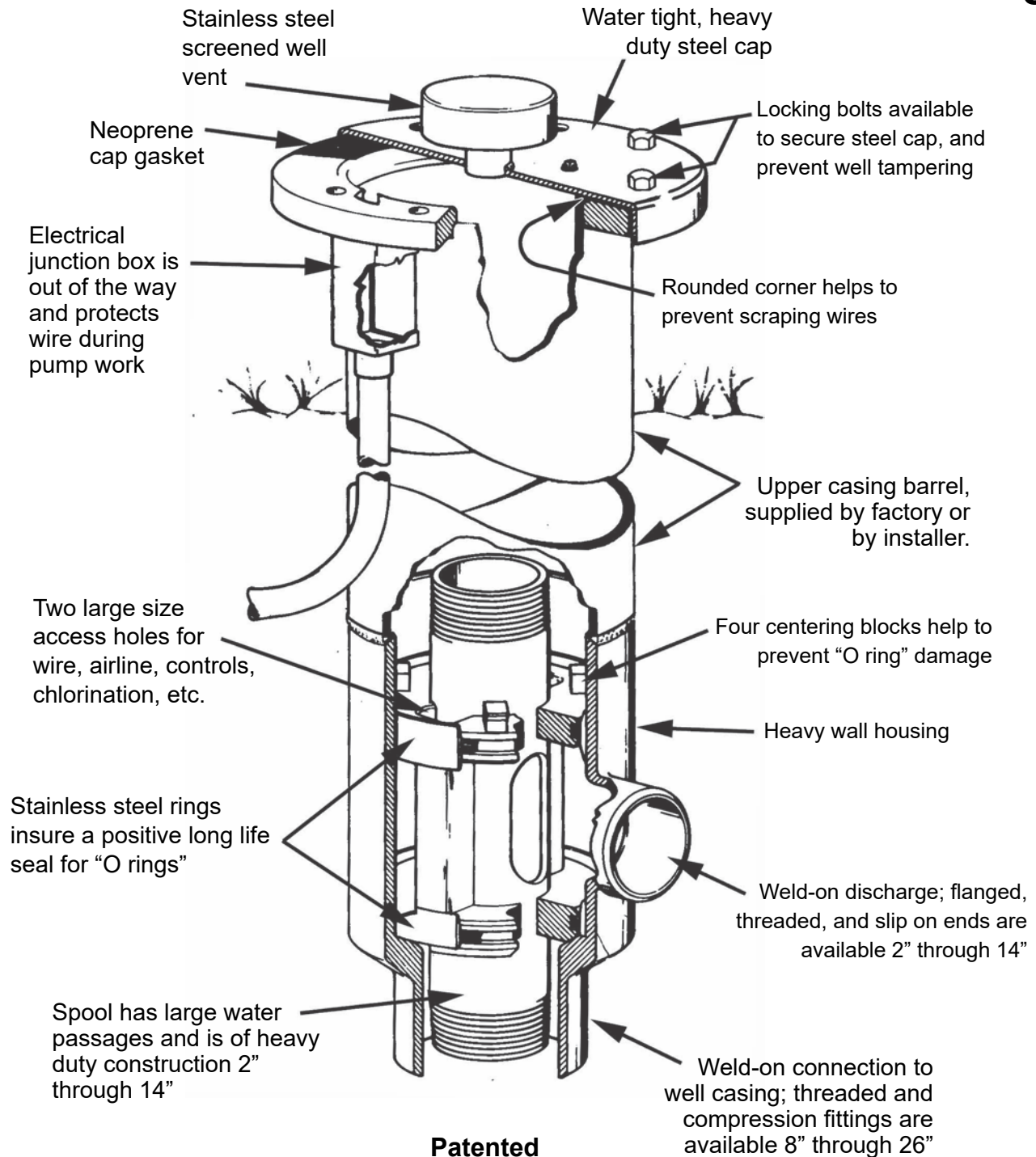


NSF 61/372



Features:

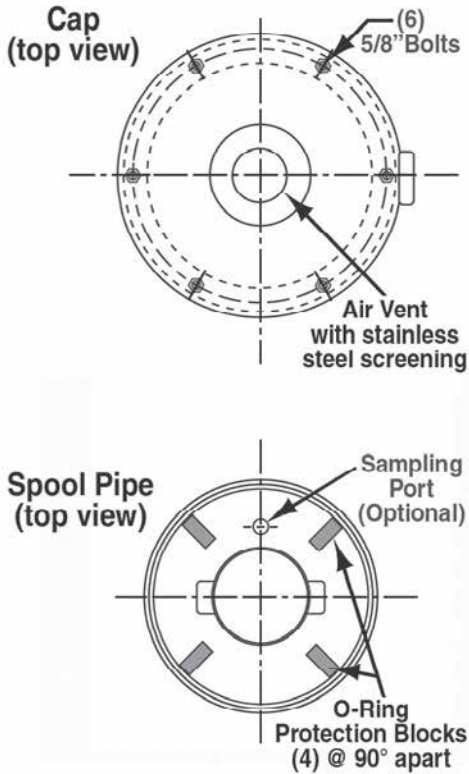
- Designed for ease and convenience in setting and pulling pumps
- For 8, 10, 12, 14, 16, 18, 20, 22, 24 inch and larger wells
- Available with 2" through 14" discharge and spool pipe
- Standard features include stainless steel inserts used at critical "O" Ring Seal and Spool Seat Surfaces
- Vertical turbine and booster pump station units and flow meters available
- All MB Units coated inside and outside with FDA & NSF approved 2 part catalytic epoxy meeting AWWA C-210 standard
- Meets Great Lakes and Upper Mississippi River Board of State Public Health and Environmental Managers standards
- Available with all wetted parts made of stainless steel
- Lead Free: ≤ 0.25% Lead Content
- ASSE NSF/61/372/.862 Approved
- AIS Compliant
- Water Systems Council PAD 1093 Listed.



MAASS MODEL MB
PITLESS ADAPTER

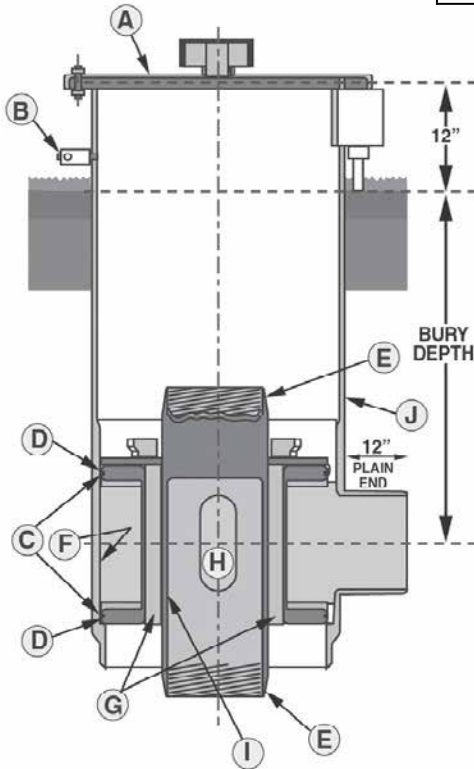
MAASS™ MODEL MB PITLESS UNIT

MODEL NUMBER ORDERING GUIDE



| | |
|---------|---|
| MODEL | MB |
| | Heavy Duty = (HD), Extra Heavy Duty = (XHD) with APIR Threads |
| | Submersible = (S), Booster Station = (B), Turbine = (T) |
| HOUSING | Casing Diameter = (8" - 36") |
| | Upper Barrel Diameter (10" - 38") |
| | Discharge Diameter (2" - 14") |
| | Discharge Type Male Thread = (MT), Female Thread = (FT), Plain End = (P), Flanged = (F) |
| SPOOL | Pump Pipe (2" - 14") |
| | National Pipe Thread = (NPT), APIR Round = (APIR) |
| CAP | Well Cap - Watertight = (WT), Aluminum = (AL), Watertight Aluminum = (AWT) |
| OPTIONS | Bury Depth (if upper casing is ordered) |
| | Custom Features (Please describe) (See Options) |

| MODEL | WELL CASING | | | | | |
|----------------------------|-------------|--------|--------|------------|-------------|------------------|
| Heavy Duty (HD) | 8" | 10" | 12" | 14" | 16" | 18" or larger |
| Pump Column Discharge Pipe | | | | | | |
| Standard | 4" | 6" | 6" | 6" | 6" | 6" |
| Optional | 2", 3", 4" | 4", 5" | 4", 5" | 4", 5", 8" | 5", 8", 10" | 5", 8", 10", 12" |



- A - Steel watertight cap shown for Heavy Duty Units. Cast Aluminum watertight or submersible cap available.
- B - Airline Test Block - Optional.
- C - 304 Stainless Steel rings and seat standard.
- D - O-Rings - 3/8" cross section.
- E - Male NPT threads on spool pipe, API threads, Flanges, or Certa-Lock™ optional.
- F - Heavy Duty Units have 1/2" or thicker housing wall.
- G - Large access channels, Stainless Steel tubes for seal wire connections or flowing well available.
- H - Spool discharge openings 100% or greater than spool pipe used.
- I - Spool Pipe XS wall.
- J - Upper casing barrel 3/8" thick.

OPTIONS:

- CD = Chlorinator Discharge
- FM = Flow Meter
- SWC = Sealed Wire Connections
- BPS = Booster Pump Stations
- ATB = Airline Test Blocks
- CVS = Check Valve in Spool
- LB = Locking Bolts
- TA = Torque Arrestor and Lift-Out Bail HDR = Hold Down Ring
- RT = Restraining Tabs
- Other options, please describe

Complete systems include Maass Midwest Control Panel

OPTIONS: Chlorinator discharge; Flow Meters; Airline Test Blocks; Turbine Pump mountings and seals; Sealed wire connections in spool for Flowing Wells and Booster Pump Stations; Check valve in spool; Locking bolts for well cap; Torque Arrestor & Lift-out bail.

***ALL STAINLESS STEEL AND ALL STAINLESS STEEL WETTED PARTS ADAPTERS AVAILABLE UPON REQUEST.**

MAASS MODEL MB
PITLESS ADAPTER

MAASS MIDWEST SELECTION GUIDE ENGINEER QUESTIONS | ANSWER PAGE

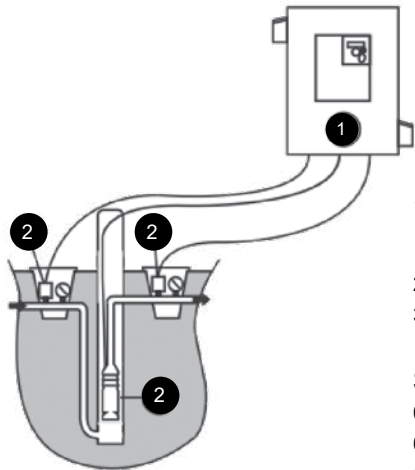
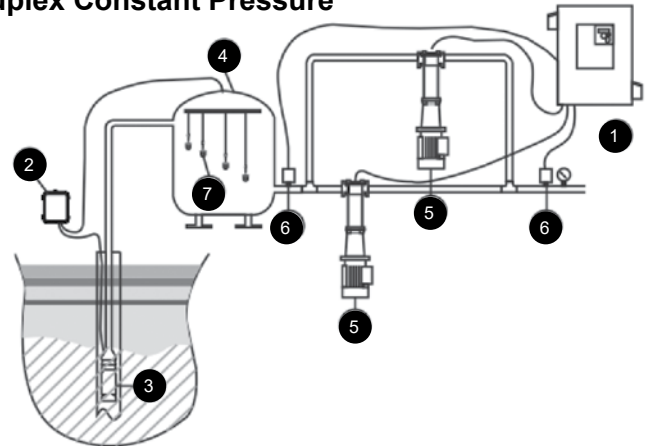
System Information

| | |
|---|---|
| Total Dynamic Head: | Phase: |
| Required Flow Rate: | Voltage: |
| Inlet Suction Pressure (PSI): | FLA: |
| Desired Discharge Pressure (PSI): | SFA: |
| Inlet Suction Pipe Diameter (Booster Only): | Choose a NEMA Rating: NEMA 3R Outdoor Enclosure <input type="checkbox"/> |
| Discharge Pipe Diameter: | NEMA 1 Outdoor Enclosure <input type="checkbox"/> |

TYPICAL APPLICATIONS

Maass Midwest Well/Storage Tank/Simplex & Duplex Constant Pressure

1. Simplex/Duplex VFD Panel - Constant Pressure
2. Well Pump Panel (Optional)
3. Well Pump
4. Storage Tank
5. Booster Pumps
6. Schneider Pressure Transducers - Suction & Discharge
7. Unimax Float Switches - Level Controls (Optional)



Maass Midwest Booster/Rural Water/ Water Pressurization Systems

1. Simplex VFD Panel
2. Booster Pump
3. Schneider Pressure Transducers - Suction & Discharge

Schneider Pressure Transducers

- 0-100 PSI
- 0-150 PSI
- Other configurations available.

MAASS SELECTION GUIDE
VFD BOOSTER & PUMP PANELS

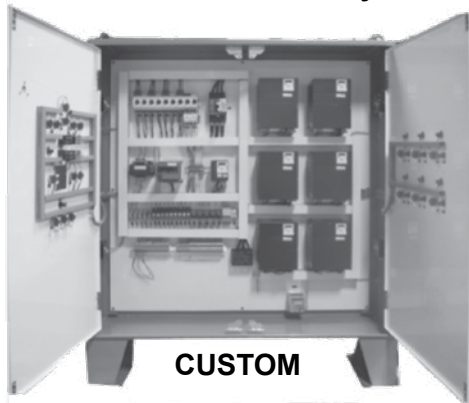
VFD BOOSTER AND SUBMERSIBLE PUMP PANELS

Standard controls from 3HP - 250HP

Custom Controls above 250 HP - consult factory



SIMPLEX



CUSTOM



DUPLEX



MAASS PROTECTIVE WELL ENCLOSURE



MAASS PROTECTIVE WELL ENCLOSURE

Features:

- For Maass JX1 and Model MB Pitless Units
- Welded air vent with stainless steel screen
- Stainless steel lock pins
- Shielded Locks
- Two lifting eyes on lid
- Detent pins for quick release of unit
- Specify base options: Cemented or Anchor bolt secured mounting base
- Catalytic epoxy coated
- Fits all sizes up to 26" well casing

| PART NO. | DIAMETER X HEIGHT | LIST PRICE |
|----------|-------------------|-------------------------|
| 927630 | 24" X 30" | See separate price list |
| 927635 | 30" X 30" | |
| 927640 | 36" X 30" | |
| 927645 | 42" X 32" | |

PITLESS ADAPTER "O" RINGS



| dicken™ SERIES | | |
|----------------|------------------------|-------------------------|
| PART NO. | SIZE | LIST PRICE |
| 017304 | JR-S10 | See separate price list |
| 017304 | LDS-10 | |
| 017315 | LDS-12 | |
| 017300 | S-10 | |
| 017315 | S-12 | |
| 017344 | S-15 | |
| 017325 | S-20 | |
| 017300 | LD-2X UPPER/LDX2 LOWER | |
| 018315 | CW-4-10 | |
| 018315 | CW-5-10 | |
| 018315 | CW-6-10 | |
| 018315 | CW-4-10WA | |
| 018315 | CW-4,5-10WA | |
| 018315 | CW-5-10WA | |

| MAASS J-JX-JC SERIES | | |
|----------------------|---------------------------|-------------------------|
| PART NO. | SIZE | LIST PRICE |
| 001030 | J1 | See separate price list |
| 001030 | JC 1-1/4 | |
| 001032 | J1-1/4 | |
| 001032 | J1-1/2 | |
| 001034 | J2 | |
| 001036 | J2-1/2 | |
| 001038 | J3 | |
| 001040 | J4 | |
| 990000 | Model J O-Ring Repair Kit | |

NOTE: Model J O-Ring Repair Kit contains: 12 pcs. J1 O-Rings, 6 pcs. J11/4 / J11/2 O-Rings and 3 pcs. J2 O-Rings.

| MAASS MODEL MB UNITS | | |
|----------------------|-----------|-------------------------|
| PART NO. | SIZE | LIST PRICE |
| 001008 | 8" MB HD | See separate price list |
| 001010 | 10" MB HD | |
| 001012 | 12" MB HD | |
| 001014 | 14" MB HD | |
| 001016 | 16" MB HD | |
| 001018 | 18" MB HD | |
| 001020 | 20" MB HD | |
| 001022 | 22" MB HD | |
| 001024 | 24" MB HD | |

NOTE: MB spool requires two "O" rings

| VITON "O" RINGS | | |
|-----------------|--------|-------------------------|
| PART NO. | SIZE | LIST PRICE |
| 017350 | LDS-10 | See separate price list |
| 017352 | S-10 | |
| 017355 | S-12 | |
| 017360 | S-20 | |
| 001060 | J1 | |
| 001062 | J1-1/4 | |
| 001064 | J2 | |
| 001066 | J2-1/2 | |
| 001070 | J-4 | |

PROTECTIVE WELL ENCLOSURE PITLESS "O" RING ADAPTERS

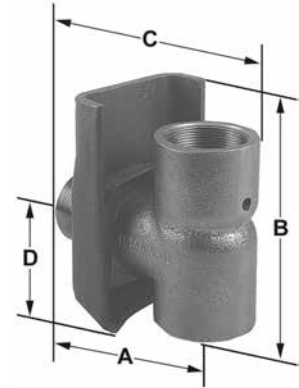
MAASS SEWAGE ADAPTERS

MAASS SEWAGE ADAPTERS (JS)

Features:

- Allows for easy service to any submersible pump installation
- Brass and 304 stainless material with Viton o-ring seal used to combat corrosion
- Not necessary to pump tank to service pump
- Rail system can be fabricated by installer or Maass
- Large 8° taper slide for ease of installation or removal
- Can be used in cisterns and curb wells
- Available with optional 304 SS ell

| Part Number | Model Number | NPT Size | Dimensions (Inches) | | | | Weight (Lbs.) | List Price |
|-------------|--------------|----------|---------------------|----|--------|-------|---------------|-------------------------|
| | | | A | B | C | D | | |
| 928800 | JS 1 1/4 | 1-1/4 | 4 | 6 | 5-1/8 | 2-1/8 | 4000 | See separate price list |
| 928805 | JS 1 1/2 | 1-1/2 | 4-1/4 | 6 | 5-1/4 | 2-1/8 | 4000 | |
| 928810 | JS 2 | 2 | 5-1/2 | 7 | 6-7/8 | 2-3/4 | 5000 | |
| 928815 | JS 3 | 3 | 7-1/2 | 10 | 9-1/2 | 3-1/2 | 5000 | |
| 928820 | JS 4 | 4 | 7-3/4 | 12 | 10-1/2 | 4-1/8 | 5000 | |



MAASS SEWAGE ADAPTER SLIDE RAIL SYSTEM

Feature:

- Rails used to hold adapter in position as well as providing guide system for brass insert
- Rails provided are welded in place on J.S. adapter

| Part Number | For Models | Angle Size | List Price |
|-------------|-------------------|-----------------------|-------------------------|
| 928900 | JS1 1/4, 1 1/2, 2 | 5/16" x 1 x 1 | See separate price list |
| 928905 | JS3, 4 | 5/16" x 1-1/2 x 1-1/2 | |

NOTE: Please specify slide rail length when ordering



MAASS SEWAGE ADAPTERS (JSB)

Feature:

- Large 8° Taper Slide for ease of installation or removal
- 2" NPT inlet and outlet
- 1" pipe used for guides and support
- 100% brass construction with Viton o-ring seal for corrosion resistance
- Allows for easy service to any submersible pump installation
- Not necessary to pump tank to service pump

| Part Number | Model Number | NPT size | List Price |
|-------------|--------------|----------|-------------------------|
| 928980 | JSB-2 | 2 | See separate price list |



JSB-2 STAND OFF BRACKET

Feature:

- 304 SS construction
- Fits 1" or 1-1/4" guide pipe
- Easily installed beneath septic tank lid or off the wall
- Utilizes (2) 1/2" bolts for pipe guide system (not provided)

| Part Number | Model Number | NPT size | List Price |
|-------------|--------------|-----------------------------------|-------------------------|
| 928985 | JSB-2 | Fits 1" or 1-1/4" guide pipe only | See separate price list |



MAASS SEWAGE ADAPTERS

SEWAGE ADAPTER ACCESSORIES

JSB-2 UNIVERSAL STAND OFF BRACKET



Features:

- 19" overall length allows adjustment every 4 1/2 inches for 1" guide pipe
- Durable two part epoxy coating
- Utilizes (2) 1/2" bolts for installation to tank wall (not provided)

| Part Number | For Model | Mounting Holes | List Price |
|-------------|-----------|----------------|-------------------------|
| 928995 | JSB-2 | 9/16" | See separate price list |

dicken™ SUMP/SEWAGE ADAPTERS

Features:

- Precision machined all red brass castings
- Chamfered slide for fast and easy installation
- Red brass ell and slide with Viton o-ring seal
- For tanks, pits, cisterns



| Part Number | Model | Discharge Pipe (Inches) | Supply Pipe (Inches) | Min. Casing Size Nominal (Inches) | Hole Size, Required (Inches) | Shipping Weight (Lbs.-oz) | Working Load (Lbs.) | Qty./ Carton | List Price Each |
|-------------|------------|-------------------------|----------------------|-----------------------------------|------------------------------|---------------------------|---------------------|--------------|-------------------------|
| 952178 | LD-S-10-CO | 1 | 1 | 5" | 1-3/4 | 4.0 | 2,000 | 10 | See separate price list |
| 952180 | LD-S-12-CO | 1-1/4 | 1-1/4 | 5" | 2-1/4 | 5.0 | 2,000 | 12 | |
| 952181 | S-15-CO | 1-1/2 | 1-1/2 | 5" | 2-5/8 | 11.0 | 5,000 | 6 | |
| 952182 | S-20-CO | 2 | 2 | 5-5/8" | 3-1/8 | 14.0 | 5,000 | 4 | |

PITLESS ADAPTER ACCESSORIES

ABS SUMP/SEWAGE CHECK VALVE

Features:

- Full flow design
- Two piece ABS body (sonic welded)
- Buna-N flapper seal provides positive sealing
- Valves provided with (4) stainless steel clamps
- DRS model provided with two rubber reducer sleeves



| Part Number | Model No. | Description | List Price Each |
|-------------|-----------------|--------------------|-------------------------|
| 940155 | BSC-200-SB | 2" IPS | See separate price list |
| 940150 | BSC-125/150 DRS | 1-1/4 or 1-1/2 IPS | |

PITLESS ADAPTER ACCESSORIES



LD-S-10 PA



CW-5-10-WA-PA

PITLESS ACCESSORY OPTION AND PRESSURE SWITCH PACKAGE

Features:

- Allows pressure relief valve or pressure switch to be mounted in the well
- System drain valve may be located in the well; check local codes
- PA option is 1/2" tapping on back of 1" brass insert
- Use with pressure transducers

| Part Number | Model Number | List Price |
|-------------|---------------|-------------------------|
| 928000 | 5J1 PA | See separate price list |
| 928002 | 6J1 PA | |
| 928003 | 5JC1 PA | |
| 928004 | 6JC1 PA | |
| 953110 | LD-S-10-PA | |
| 953055 | CW-5-10-WA-PA | |
| 953060 | CW-6-10-PA | |

• **NOTE:** Used on 1" discharge adapters in 5" casing or larger.

- PSP package includes 1/4" x 9' coiled hose, 1/4" x 1/2" brass bushing, pulsation plug, and two stainless steel brackets for mounting pressure switch in the well

| Part Number | Model Number | List Price |
|-------------|--------------|-------------------------|
| 928005 | PSP | See separate price list |

NOTE: It is the customer's responsibility for ordering proper product to meet local, state and federal code regulations.



5J1-PA



PSP

SEWAGE ADAPTER ACCESSORIES

dicken™ ALUMINUM WELL CAPS

WTCC-Style CAST ALUMINUM

Features:

- WTCC caps Water Systems Council - PAS-2 listed
- Cast aluminum with stainless steel bolts
- WTCC models are vented to meet state codes
- Can be personalized, 50 piece minimum
- Five bolt pulldown for sure seal and tamper resistance
- Heavy Buna-N Seal prevents foreign matter intrusion
- Buna-N rubber seal is internal to cap assembly and is not exposed to outside environment



| Part Number | Model | I.D. Casing Size (In.) | O.D. Casing Size (In.) | Conduit Fitting | Shipping Weight (Lbs.) | Qty./Carton | List Price Each |
|-------------|-----------|------------------------|------------------------|-----------------|------------------------|-------------|-------------------------|
| 952800 | WTCC-4 | 4 | 4-1/2 | 1" NPT | 2.7 | 20 | See separate price list |
| 952802 | WTCC-5 | 5 | 5-9/16 | 1" NPT | 3.0 | 18 | |
| 952804 | WTCC-5.6 | 5-5/8 | 6 | 1" NPT | 3.2 | 15 | |
| 952806 | WTCC-6 | 6 | 6-5/8 | 1" NPT | 3.5 | 15 | |
| 952805 | WTCC-6 | 6 | 6-5/8 | 1-1/4" NPT | 3.5 | 15 | |
| 952812 | WTCC-6 | 6 | 6-5/8 | 1-1/2" NPT | 3.5 | 15 | |
| 952824 | WTCC-6LC* | 6 | 6-5/8 | 1" NPT | 4.1 | IND. | |
| 952808 | WTCC-6.6 | 6-5/8 | 7 | 1-1/4" NPT | 3.7 | 10 | |
| 952810 | WTCC-8 | 8 | 8-5/8 | 1-1/4" NPT | 4.0 | 8 | |
| 952813 | WTCC-8 | 8 | 8-5/8 | 1-1/2" NPT | 5.0 | 8 | |

• **NOTE: WTCC-6LC is locking.**

AWT-Style



| Part Number | Model | O.D. Casing Size (In.) | Conduit Fitting | Weight (Lbs.) | List Price Each |
|-------------|-------|------------------------|-----------------|---------------|-------------------------|
| 952848 | 10AWT | 10-3/4 | 2 NPT | 9.0 | See separate price list |
| 952849 | 12AWT | 12-3/4 | 2 NPT | 11.0 | |

WTCC - Style CHLORINE CAP

Features:

- Tapped 1 1/4" NPT to accommodate pellet chlorinators



| Part Number | Model | I.D. Casing Size (In.) | O.D. Casing Size (In.) | Shipping Weight (Lbs.) | Qty./Carton | List Price Each |
|-------------|-----------|------------------------|------------------------|------------------------|-------------|-------------------------|
| 952814 | WTCC 5 CL | 5 | 5-9/16 | 3.0 | 18 | See separate price list |
| 952816 | WTCC 6 CL | 6 | 6-5/8 | 3.5 | 15 | |

Dicken™ CAST IRON WTCI - STYLE WELL CAPS

Features:

- WTCI Caps Water Systems Council - PAS-97 (04) listed
- Cast iron with stainless steel bolts
- WTCI models are vented to meet state codes
- Five bolt pulldown for sure seal and tamper resistance
- Heavy Buna-N Seal prevents foreign matter intrusion
- Buna-N rubber seal is internal to cap assembly and is not exposed to outside environment
- Equipped with an ultra flexible 6" grounding connector 12 AWG, UL486A and UL486C listed and tested to CSA standards



| Part Number | Model | I.D. Casing Size (In.) | O.D. Casing Size (In.) | Conduit Fitting | Shipping Weight (Lbs.) | Qty./Carton | List Price Each |
|-------------|----------|------------------------|------------------------|-----------------|------------------------|-------------|-------------------------|
| 952902 | WTCI-5 | 5 | 5-9/16 | 1" NPT | 4.6 | 18 | See separate price list |
| 952906 | WTCI-6 | 6 | 6-5/8 | 1" NPT | 5.1 | 15 | |
| 952908 | WTCI-6.6 | 6-5/8 | 7 | 1 1/4" NPT | 5.2 | 10 | |
| 952910 | WTCI-8 | 8 | 8-5/8 | 1 1/4" NPT | 20.2 | 8 | |

DICKEN ALUMINUM WELL CAPS

MAASS™ THERMOPLASTIC/ABS WELL CAPS

SCP-Style

Features:

- SCP caps Water Systems Council PAS-2 listed
- Gasket to prevent foreign intrusion
- When cap top removed - wire completely exposed for easy service
- Stainless steel nuts and bolts
- Downward facing stainless steel vent
- ABS bottom, can be solvent welded to PVC casing



| Part Number | Model | I.D. Casing Size (In.) | O.D. Casing Size (In.) | Conduit Fitting | Shipping Weight (Lbs.) | Qty./ Carton | List Price Each |
|-------------|-------|------------------------|------------------------|-----------------|------------------------|--------------|-------------------------|
| 952920 | SCP4 | 4 | 4 1/2 | 1" NPT | .88 | 1 | See separate price list |
| 952925 | SCP5 | 5 | 5 9/16 | 1" NPT | 1.3 | 1 | |
| 952930 | SCP6 | 6 | 6 5/8 | 1" NPT | 1.5 | 1 | |

dicken™ ALUMINUM WELL CAPS

CC-Style

Features:

- Can be personalized, 50 piece minimum
- Cast aluminum alloy 319 - will not crack or warp
- Fitted for 1" conduit
- Three square head stainless steel cup point set screws
- Designed for 1/64" clearance fit to prevent foreign matter intrusion
- Model CC-ID cap 1-1/4" conduit as standard



| Part Number | Model | I.D. Casing Size (In.) | O.D. Casing Size (In.) | Shipping Weight (Lbs.) | Qty./ Carton | List Price Each |
|-------------|--------|------------------------|------------------------|------------------------|--------------|-------------------------|
| 952700 | CC-4 | 4 | 4-1/2 | 1.2 | 36 | See separate price list |
| 952702 | CC-4.5 | 4-1/2 | 5 | 1.3 | 29 | |
| 952704 | CC-5 | 5 | 5-9/16 | 1.7 | 20 | |
| 952706 | CC-56 | 5-5/8 | 6 | 1.75 | 21 | |
| 952708 | CC-6 | 6 | 6-5/8 | 1.4 | 21 | |
| 952710 | CC-66 | 6-5/8 | 7 | 2.0 | 18 | |
| 952712 | CC-8 | 8 | 8-5/8 | 2.8 | 12 | |
| 952714 | CC-10 | 10 | 10-3/4 | 4.1 | 8 | |

PC-Style

Features:

- Cast aluminum alloy 319 - will not crack or warp
- Square head zinc plated steel cup point set screw



| Part Number | Model | I.D. Casing Size (In.) | O.D. Casing Size (In.) | Shipping Weight (Lbs.) | Qty./ Carton | List Price Each |
|-------------|-----------------|------------------------|------------------------|------------------------|--------------|-------------------------|
| 952600 | PC-4 | 4 | 4-1/2 | .7 | 36 | See separate price list |
| 952602 | PC-5 | 5 | 5-9/16 | 1.75 | 22 | |
| 952604 | PC-566 (2-step) | 5-5/8 upper 6 lower | 6 6-5/8 | 1.8 | 21 | |
| 952606 | PC-66 | 6-5/8 | 7 | 2.2 | 21 | |
| 952608 | PC-8 | 8 | 8-5/8 | 2.8 | 12 | |
| 952610 | PC-10 | 10 | 10-3/4 | 3.5 | 8 | |

MAASS™ SUBMERSIBLE WELL CAPS

Features:

- Heavy duty cast aluminum - will not crack or warp
- Stainless steel set screws

| Part Number | Model | O.D. Casing Size (In.) | Weight (Lbs.) | List Price Each |
|-------------|-------|------------------------|---------------|-------------------------|
| 952748 | 10S | 10-3/4 | 5.75 | See separate price list |



• NOTE: Locking well caps illustrated on page 73.

MAASS/DICKENS ALUMINUM & PLASTIC WELL CAPS

POND/IRRIGATION FILTERS



Features:

- Effective means of keeping algae and seaweed out of pumping system
- Manufactured from heavy PVC and plastic
- 2" suction connectors
- Outside screen used 1/4" holes
- 2" PVC check valves as standard
- Area between screens filled with bulk fish-safe filter mating
- Can be manifolded to increase capacity
- Irregular 3/8" or larger pea gravel can also be used as filter media

| Part Number | Model | GPM | Screen O.D. | Inner Screen | Weight Ea. (Lbs.) | List Price |
|-------------|-------|---------|-------------|--------------|-------------------|-------------------------|
| 940185 | 40 G | 40 Gal. | 6" | 2" | 7 | See separate price list |
| 940186 | 80 G | 80 Gal. | 12" | 6" | 17 | |

Note: Filter stands are also available

IRRIGATION FILTER STAND

Features:

- Holds 40G Irrigation Filter or a 2" slotted PVC screen
- Stand keeps filter suspended off bottom of water source
- Held in place with ballast (not provided)
- Stand is 18" high and can be lowered by spreading stand legs for shallower water

| Part Number | Model | List Price |
|-------------|----------------------|-------------------------|
| 940184 | Irrigation Stand 40G | See separate price list |



STRAINERS

SUBMERSIBLE PUMP STRAINER

Features:

- Protect submersible pump from costly sand damage
- Bottom cap manufactured from FDA approved plastic
- Stainless steel standard
- Seams are spot-welded

| Part Number | Size (in. X ft.) | Gauze | Weight (Lbs.) | List Price |
|-------------|------------------|-------|---------------|-------------------------|
| 915620 | 3 x 2 | 80 | 1.4 | See separate price list |
| 915622 | 3 x 2 | 100 | 1.4 | |
| 915630 | 3 x 4 | 80 | 2.3 | |
| 915632 | 3 x 4 | 100 | 2.3 | |
| 915641 | 4 x 4 | 80 | 3.2 | |
| 915642 | 4 x 4 | 100 | 3.2 | |
| 915638 | 4 x 6 | 80 | 5.2 | |
| 915639 | 4 x 6 | 100 | 5.2 | |

- Please specify pump manufacture when ordering 3" pump strainers
- 3" size fits 4" I.D. casing
- 4" size fits 4 1/2" I.D. or larger casing



1536-S

FEMALE SUCTION PIPE STRAINER

Features:

- Wire wound stainless steel strainer

| Part Number | Model | Slot Size | Pipe Size | Weight (Lbs.) | List Price |
|-------------|-------|-----------|-----------|---------------|-------------------------|
| 923202 | 1024 | 10 | 2 | 2.1 | See separate price list |



STRAINERS/FLOWSLEEVE

FLOWSLEEVE

Features:

- An efficient pump cooling system at an economical cost
- Quick and easy installation
- Recommended for longer life
- Directs flow over motor, properly cooling motor
- Easy to assemble using standard schedule 40 PVC pipe
- Excellent for storage tanks, ponds, cisterns and water well aeration systems
- 4" accommodates 4" pump; 6" accommodates 6" pump

| Part Number | Description | List Price |
|-------------|---|-------------------------|
| 962500 | 4" Flowsleeve - 1" Discharge - 4" PVC | See separate price list |
| 962510 | 4" Flowsleeve - 1-1/4" Discharge - 4" PVC | |
| 962520 | 4" Flowsleeve - 1-1/2" Discharge - 4" PVC | |
| 962530 | 4" Flowsleeve - 2" Discharge - 4" PVC | |
| 962570 | 6" Flowsleeve - 3" Discharge - 8" PVC | |
| 962560 | 6" Flowsleeve - 4" Discharge - 8" PVC | |



Features

- Keeps pump off lake bottom
- Fits 4" Flowsleeve

| Part Number | Description | List Price |
|-------------|--|-------------------------|
| 962550 | Pond and Lake Pump Mounting Stand - keeps pump off lake bottom | See separate price list |



GEOTHERMAL PRODUCTS



JXX

MODEL JXX - PITLESS BURY UNITS

Features:

- Designed to accommodate two pumps in one well casing
- Excellent for geothermal closed systems
- Can be used for one pump and one return pipe well
- Available with male threaded end or plain end for welding
- Standard 18" minimum overall length

| Part Number | Model Number | Well Casing Size | Water Outlet & Drop Pipe Size | List Price Each |
|-------------|--------------|------------------|-------------------------------|-------------------------|
| 926415 | 5JXX-1 | 5 | 1 | See separate price list |
| 926435 | 6JXX-1 | 6 | 1 | |
| 926440 | 6JXX-1 1/4 | 6 | 1-1/4 | |
| 926460 | 8JXX-1 | 8 | 1 | |
| 926475 | 8JXX-2 | 8 | 2 | |
| 926485 | 10JXX-2 | 10 | 2 | |

GEOTHERMAL CAST BRASS FITTINGS



Elbow

ELBOWS - TAPPED

Features

- 1" X 1" Elbow
- One port male X 3/4" copper sweat combination
- Tapped 1/4" for heat pump sensor & accessories

| Part Number | IPS X IPS/CN | Quantity per Carton | Weight per Carton | List Price Each |
|-------------|--------------|---------------------|-------------------|-------------------------|
| 406502 | 1" X 1" | 10 | 7.5 | See separate price list |



Elbow

Features

- 1" IPS X 1" Insert Elbow
- Tapped 1/4" for accessories

| Part Number | IPS X Insert | Quantity per Carton | Weight per Carton | List Price Each |
|-------------|--------------|---------------------|-------------------|-------------------------|
| 952207 | 1" X 1" | 28 | 15 | See separate price list |

MALE ADAPTERS - TAPPED

Features

- IPS X Insert Male Adapter
- Tapped 1/4" for accessories

| Part Number | IPS X Insert | Quantity per Carton | Weight per Carton | List Price Each |
|-------------|--------------|---------------------|-------------------|-------------------------|
| 952219 | 3/4" X 1" | 32 | 10.0 | See separate price list |
| 952215 | 1" X 1" | 25 | 10.1 | |



Male Adapter

SEDIMENT FILTERS

SPINDOWN™ MODEL RUSCO/VU-FLOW™

Features:

- PVC body
- Ball valve for flushing sand and sediment
- Polyester filter screen is reusable
- Sand and sediment is visible through clear reservoir
- Maximum operating pressure 150 psi at 73° F
- Individually boxed



| Part Number | Model Number | Pipe Size | Mesh | Length | Width | List Price Each |
|-------------|--------------|-------------|------|--------|--------|-----------------|
| 962002 | 3/4-24F | 3/4" | 24 | 11-3/8 | 7-1/4" | |
| 962004 | 3/4-30F | 3/4" | 30 | 11-3/8 | 7-1/4" | |
| 962006 | 3/4-40F | 3/4" | 40 | 11-3/8 | 7-1/4" | |
| 962008 | 3/4-60F | 3/4" | 60 | 11-3/8 | 7-1/4" | |
| 962010 | 3/4-100F | 3/4" | 100 | 11-3/8 | 7-1/4" | |
| 962012 | 3/4-140F | 3/4" | 140 | 11-3/8 | 7-1/4" | |
| 962014 | 3/4-250F | 3/4" | 250 | 11-3/8 | 7-1/4" | |
| 962020 | 1-24F | 1" slip | 24 | 11-3/8 | 5" | |
| 962022 | 1-30F | 1" slip | 30 | 11-3/8 | 5" | |
| 962024 | 1-40F | 1" slip | 40 | 11-3/8 | 5" | |
| 962026 | 1-60F | 1" slip | 60 | 11-3/8 | 5" | |
| 962028 | 1-100F | 1" slip | 100 | 11-3/8 | 5" | |
| 962030 | 1-140F | 1" slip | 140 | 11-3/8 | 5" | |
| 962032 | 1-250F | 1" slip | 250 | 11-3/8 | 5" | |
| 962038 | 1-1/2-24F | 1-1/2" slip | 24 | 15 | 5-1/4" | |
| 962040 | 1-1/2-30F | 1-1/2" slip | 30 | 15 | 5-1/4" | |
| 962042 | 1-1/2-40F | 1-1/2" slip | 40 | 15 | 5-1/4" | |
| 962044 | 1-1/2-60F | 1-1/2" slip | 60 | 15 | 5-1/4" | |
| 962046 | 1-1/2-100F | 1-1/2" slip | 100 | 15 | 5-1/4" | |
| 962048 | 1-1/2-140F | 1-1/2" slip | 140 | 15 | 5-1/4" | |
| 962050 | 1-1/2-250F | 1-1/2" slip | 250 | 15 | 5-1/4" | |
| 962056 | 2-24F | 2" slip | 24 | 18 | 5-3/4" | |
| 962058 | 2-30F | 2" slip | 30 | 18 | 5-3/4" | |
| 962060 | 2-40F | 2" slip | 40 | 18 | 5-3/4" | |
| 962062 | 2-60F | 2" slip | 60 | 18 | 5-3/4" | |
| 962064 | 2-100F | 2" slip | 100 | 18 | 5-3/4" | |
| 962066 | 2-140F | 2" slip | 140 | 18 | 5-3/4" | |
| 962068 | 2-250F | 2" slip | 250 | 18 | 5-3/4" | |

See separate price list

REPAIR PARTS

POLYESTER FILTER ELEMENTS

SPINDOWN™ MODEL

| Part Number | Model Number | Size (Inches) | List Price Each |
|-------------|--------------|---------------|-------------------------|
| 962300 | NT30SC24 | 3/4 and 1 | See separate price list |
| 962302 | NT30SC30 | 3/4 and 1 | |
| 962306 | NT30SC60 | 3/4 and 1 | |
| 962308 | NT30SC100 | 3/4 and 1 | |
| 962310 | NT30SC140 | 3/4 and 1 | |
| 962312 | NT30SC250 | 3/4 and 1 | |
| 962318 | NT60SC24 | 1-1/2 | |
| 962320 | NT60SC30 | 1-1/2 | |
| 962324 | NT60SC60 | 1-1/2 | |
| 962326 | NT60SC100 | 1-1/2 | |
| 962328 | NT60SC140 | 1-1/2 | |
| 962330 | NT60SC250 | 1-1/2 | |
| 962336 | NT120SC24 | 2 | |
| 962338 | NT120SC30 | 2 | |
| 962342 | NT120SC60 | 2 | |
| 962344 | NT120SC100 | 2 | |
| 962346 | NT120SC140 | 2 | |
| 962348 | NT120SC250 | 2 | |

- Repair parts replace Rusco/Vu-Flow™ filters parts

SEDIMENT FILTERS
REPAIR PARTS

SEDIMENT FILTERS

SPINDOWN™ SEDIMENT TRAPPER MODEL

Features:

- Centrifuge spin down action removes sand and coarse sediment
- Several mesh sizes available
- Polyester filter screens are replaceable
- Sediment is easily removed by opening ball valve at bottom of filter
- Hand tighten only – use of tools voids warranty
- Sand and sediment is visible through clear reservoir



| Part Number | Model Number | Pipe Size | Mesh | Length | Width | List Price Each |
|-------------|--------------|-------------|------|--------|--------|-------------------------|
| 962100 | 3/4-24STF | 3/4" | 24 | 14-1/2 | 7-1/4" | See separate price list |
| 962102 | 3/4-30STF | 3/4" | 30 | 14-1/2 | 7-1/4" | |
| 962104 | 3/4-40STF | 3/4" | 40 | 14-1/2 | 7-1/4" | |
| 962106 | 3/4-60STF | 3/4" | 60 | 14-1/2 | 7-1/4" | |
| 962108 | 3/4-100STF | 3/4" | 100 | 14-1/2 | 7-1/4" | |
| 962110 | 3/4-140STF | 3/4" | 140 | 14-1/2 | 7-1/4" | |
| 962112 | 3/4-250STF | 3/4" | 250 | 14-1/2 | 7-1/4" | |
| 962118 | 1-24STF | 1" slip | 24 | 14-1/2 | 5" | |
| 962120 | 1-30STF | 1" slip | 30 | 14-1/2 | 5" | |
| 962122 | 1-40STF | 1" slip | 40 | 14-1/2 | 5" | |
| 962124 | 1-60STF | 1" slip | 60 | 14-1/2 | 5" | |
| 962126 | 1-100STF | 1" slip | 100 | 14-1/2 | 5" | |
| 962128 | 1-140STF | 1" slip | 140 | 14-1/2 | 5" | |
| 962130 | 1-250STF | 1" slip | 250 | 14-1/2 | 5" | |
| 962140 | 1-1/2-24STF | 1-1/2" slip | 24 | 15 | 5-1/4" | |
| 962142 | 1-1/2-30STF | 1-1/2" slip | 30 | 15 | 5-1/4" | |
| 962144 | 1-1/2-40STF | 1-1/2" slip | 40 | 15 | 5-1/4" | |
| 962146 | 1-1/2-60STF | 1-1/2" slip | 60 | 15 | 5-1/4" | |
| 962148 | 1-1/2-100STF | 1-1/2" slip | 100 | 15 | 5-1/4" | |
| 962150 | 1-1/2-140STF | 1-1/2" slip | 140 | 15 | 5-1/4" | |
| 962152 | 1-1/2-250STF | 1-1/2" slip | 250 | 15 | 5-1/4" | |
| 962160 | 2-24STF | 2" slip | 24 | 18 | 5-3/4" | |
| 962162 | 2-30STF | 2" slip | 30 | 18 | 5-3/4" | |
| 962164 | 2-40STF | 2" slip | 40 | 18 | 5-3/4" | |
| 962166 | 2-60STF | 2" slip | 60 | 18 | 5-3/4" | |
| 962168 | 2-100STF | 2" slip | 100 | 18 | 5-3/4" | |
| 962170 | 2-140STF | 2" slip | 140 | 18 | 5-3/4" | |
| 962172 | 2-250STF | 2" slip | 250 | 18 | 5-3/4" | |

SEDIMENT FILTERS
REPAIR PARTS

REPAIR PARTS

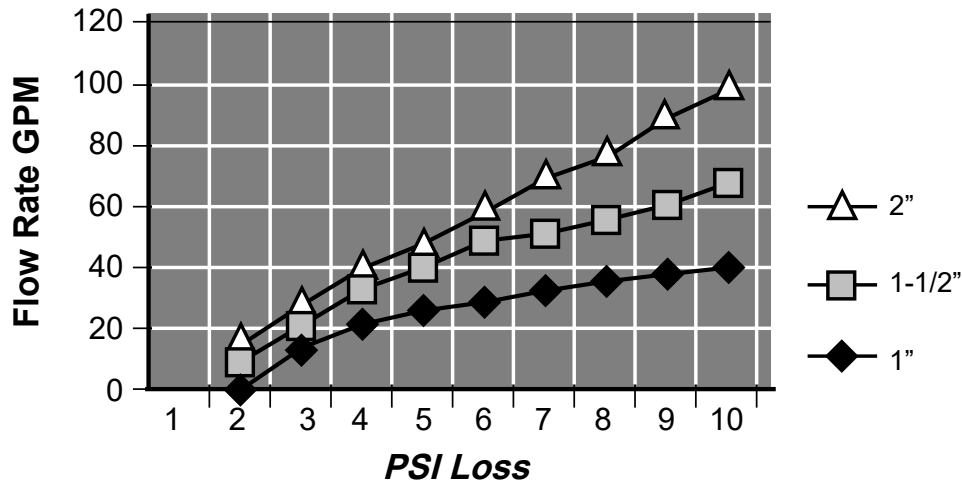
POLYESTER FILTER ELEMENTS

SEDIMENT TRAPPER MODEL

| Part Number | Model Number | Size (Inches) | List Price Each |
|-------------|--------------|---------------|-------------------------|
| 962360 | NT1SC24 | 3/4 and 1 | See separate price list |
| 962362 | NT1SC30 | 3/4 and 1 | |
| 962366 | NT1SC60 | 3/4 and 1 | |
| 962368 | NT1SC100 | 3/4 and 1 | |
| 962370 | NT1SC140 | 3/4 and 1 | |
| 962372 | NT1SC250 | 3/4 and 1 | |
| 962378 | NT1.5SC24 | 1-1/2 | |
| 962380 | NT1.5SC30 | 1-1/2 | |
| 962382 | NT1.5SC60 | 1-1/2 | |
| 962384 | NT1.5SC100 | 1-1/2 | |
| 962386 | NT1.5SC140 | 1-1/2 | |
| 962390 | NT1.5SC250 | 1-1/2 | |
| 962400 | NT2SC24 | 2 | |
| 962402 | NT2SC30 | 2 | |
| 962406 | NT2SC60 | 2 | |
| 962408 | NT2SC100 | 2 | |
| 962410 | NT2SC140 | 2 | |
| 962412 | NT2SC250 | 2 | |

- Repair parts replace Rusco™ filters parts

REPAIR PARTS



| Inlet/Outlet | Flow Rate 1" |
|--------------|--------------|
| 1" | 1 - 25 Gpm |
| 1 1/2" | 10 - 50 Gpm |
| 2" | 20 - 100 Gpm |

| Part Number | Model Number | Description | Size (Inches) | List Price Each |
|-------------|--------------|--------------------------------|---------------|-------------------------|
| 962250 | PV | Purge Valve | 1/2 FPT | See separate price list |
| 962252 | NT30B | Filter Body | 1" | |
| 962254 | NT60B | Filter Body | 1-1/2" | |
| 962256 | NT120B | Filter Body | 2" | |
| 962258 | NT30C | Filter Cover - Spindown™ Model | 3/4" TO 1" | |
| 962260 | NT60C | Filter Cover - Spindown™ Model | 1-1/2" | |
| 962262 | NT120C | Filter Cover - Spindown™ Model | 2" | |
| 962270 | NT1C | Filter Cover - Trapper Model | 1" | |
| 962276 | NT30S | "O" Ring Trapper & Spindown™ | 1" | |
| 962278 | NT60S | "O" Ring Trapper & Spindown™ | 1-1/2" | |
| 962280 | NT120S | "O" Ring Trapper & Spindown™ | 2" | |

MESH CONVERSION CHART

| Mesh | Opening | Microns |
|------|---------|---------|
| 24 | .028 | 711 |
| 30 | .021 | 533 |
| 40 | .015 | 381 |
| 60 | .010 | 254 |
| 100 | .006 | 152 |
| 140 | .004 | 104 |

REPAIR PARTS
TRI-SEAL/K-PACKER

SANDBLOCKER™ II WELL SCREENS



Patent No. 5,833,853 | New Innovation in Sand Retention

| TRANSMITTING CAPACITY Gallons per Minute per Foot of Screen at 0.1 foot per second | |
|--|--------|
| Screen Pipe Size (Inches) | GPM/FT |
| 2 | 8 |
| 3 | 12 |
| 4 | 16 |
| 5 | 21 |
| 6 | 25 |

- Features:
- Large inflow area of 32%, providing twice the flow of wire wrap screens
- Rugged design, strongest stainless steel screen in market today
- One size fits all, from comparable slot size of 3 and larger
- Resistant to plugging and erosion, pore size distribution replicates sand size distribution
- Gravel pack not required
- Stainless steel construction throughout

STAINLESS STEEL DRIVE POINTS | MALE X POINT

| Part Number | Size | Screen O.D. | Screen Length | List Price Each |
|-------------|------|-------------|---------------|-------------------------|
| 916802-4 | 2" | 2.50 | 48" | See separate price list |



SANDBLOCKER™ II WELL SCREENS

STAINLESS STEEL EXTENSIONS

| Part Number | Size | PIPE SIZE 2" NPT MALE X FEMALE | | List Price Each |
|-------------|------|--------------------------------|---------------|-------------------------|
| | | Screen O.D. | Screen Length | |
| 916812-4 | 2" | 2.50 | 48" | See separate price list |

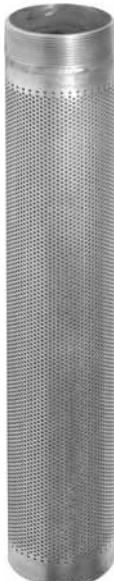
Note: Male x Male, Female x Female and ASTM Flush Fitting available.

WELL SCREENS

| Part Number | Size | PIPE SIZE 2" NPT MALE X FEMALE | | List Price Each |
|---|------|--------------------------------|---------------|-------------------------|
| | | Screen O.D. | Screen Length | |
| 916813-5 | 3" | 3.50 | 5' | See separate price list |
| PIPE SIZE 3" NPT FEMALE X FEMALE | | | | |
| 916853-5 | 3" | 3.50 | 5' | See separate price list |
| PIPE SIZE 3" NPT MALE X PLATE BOTTOM | | | | |
| 916833-5 | 3" | 3.50 | 5' | See separate price list |
| PIPE SIZE 4" NPT FEMALE X PLATE BOTTOM | | | | |
| 916854-5 | 4" | 4.50 | 5' | See separate price list |
| PIPE SIZE 4" NPT MALE X FEMALE | | | | |
| 916814-5 | 4" | 4.50 | 5' | See separate price list |
| PIPE SIZE 4" NPT MALE X PLATE BOTTOM | | | | |
| 916834-4 | 4" | 4.50 | 5' | See separate price list |
| PIPE SIZE WELD RING X PLATE BOTTOM | | | | |
| 916875-5 | 5" | 5.50 | 5" | See separate price list |
| PIPE SIZE 5" WELD RING X WELD RING | | | | |
| 916885-6 | 5" | 5.50 | 5' | See separate price list |
| PIPE SIZE 6" NPT MALE X PLATE BOTTOM | | | | |
| 916836-5 | 6" | 6.50 | 5' | See separate price list |
| PIPE SIZE 6" WELD RING X WELD RING | | | | |
| 916886-5 | 6" | 6.50 | 5' | See separate price list |

Note:

- Longer screen lengths available by splicing various standard lengths together.



SANDBLOCK WELL SCREENS

DRIVE WELL POINTS



MIDWEST WELD PROCESS WELL POINT

Features:

- Rugged design with octagonal ductile iron head to prohibit turning in tough driving
- Easily extended in the field by removing head and coupling together with second well point for added capacity
- Bronze MIG weld top and bottom to prohibit jacket shift or peeling
- 3/16" diameter spotweld on 1" centers to prevent seam opening
- Stainless steel with 1/8" staggered perforations for maximum open area
- Available in 50-60-80-100 mesh stainless steel for long life screening
- Other custom lengths and styles available
- Lead Free: ≤ .025% Lead Content

STAINLESS STEEL

| Part Number | Model Number | Gauze | Pipe Size | Pipe Lg. X Jacket | Weight (Lbs.) | List Price Each |
|-------------|--------------|-------|-----------|-------------------|---------------|-------------------------|
| 915698 | SS90 | 60 | 1-1/4 | 24 x 18 | 6 | See separate price list |
| 915702 | SS90 | 80 | 1-1/4 | 24 x 18 | 6 | |
| 915716 | SS94 | 60 | 1-1/4 | 30 x 24 | 7 | |
| 915720 | SS94 | 80 | 1-1/4 | 30 x 24 | 7 | |
| 915734 | SS98 | 60 | 1-1/4 | 36 x 30 | 8 | |
| 915738 | SS98 | 80 | 1-1/4 | 36 x 30 | 8 | |
| 915752 | SS100 | 60 | 1-1/4 | 42 x 36 | 10 | |
| 915756 | SS100 | 80 | 1-1/4 | 42 x 36 | 10 | |
| 915770 | SS102 | 60 | 1-1/4 | 48 x 42 | 11 | |
| 915774 | SS102 | 80 | 1-1/4 | 48 x 42 | 11 | |
| 915788 | SS110 | 60 | 1-1/4 | 60 x 54 | 13 | |
| 915792 | SS110 | 80 | 1-1/4 | 60 x 54 | 13 | |
| 915834 | SS164 | 60 | 2 | 30 x 24 | 12 | |
| 915838 | SS164 | 80 | 2 | 30 x 24 | 12 | |
| 915852 | SS168 | 60 | 2 | 36 x 30 | 14 | |
| 915856 | SS168 | 80 | 2 | 36 x 30 | 14 | |
| 915870 | SS172 | 60 | 2 | 48 x 42 | 18 | |
| 915874 | SS172 | 80 | 2 | 48 x 42 | 18 | |
| 915888 | SS176 | 60 | 2 | 60 x 54 | 22 | |
| 915892 | SS176 | 80 | 2 | 60 x 54 | 22 | |

OPEN END WELL SCREEN

Features:

- Use when jetting or washing down wells using a sand shark or backwash valve
- Provides additional capacity when coupled with a well point

| Part Number | Model Number | Gauze | Pipe Size | Pipe Lg. X Jacket | Weight (Lbs.) | List Price Each |
|-------------|--------------|-------|-----------|-------------------|---------------|-------------------------|
| 916345 | SS99 | 60 | 1-1/4 | 36 x 30 | 7 | See separate price list |
| 916348 | SS103 | 60 | 1-1/4 | 48 x 42 | 10 | |
| 916400 | SS169 | 60 | 2 | 36 x 30 | 11 | |
| 916404 | SS173 | 60 | 2 | 48 x 42 | 15 | |
| 916406 | SS177 | 60 | 2 | 60 x 54 | 17.8 | |

FLUSH WELL POINTS

Features:

- 1-1/4" flush point fits in 2" well and will pass through 2" closed pattern drive shoe
- SS - Stainless steel
- Used in tubular drilled wells

| Part Number | Trade Number | Gauze | Pipe Size | Pipe Lg. X Jacket | Weight (Lbs.) | List Price Each |
|-------------|--------------|-------|-----------|-------------------|---------------|-------------------------|
| 916064 | SS121 | 60 | 1-1/4 | 36 x 30 | 9 | See separate price list |
| 916068 | SS121 | 80 | 1-1/4 | 36 x 30 | 9 | |
| 916088 | SS125 | 60 | 1-1/4 | 42 x 36 | 10 | |
| 916092 | SS125 | 80 | 1-1/4 | 42 x 36 | 10 | |
| 916142 | SS129 | 60 | 1-1/4 | 48 x 42 | 11 | |
| 916146 | SS129 | 80 | 1-1/4 | 48 x 42 | 11 | |
| 916160 | SS131.5 | 60 | 1-1/4 | 54 x 48 | 13 | |
| 916164 | SS131.5 | 80 | 1-1/4 | 54 x 48 | 13 | |
| 916196 | SS570 | 60 | 1-1/4 | 60 x 54 | 14 | |
| 916200 | SS570 | 80 | 1-1/4 | 60 x 54 | 14 | |



DRIVE WELL POINTS
FLUSH WELL POINTS



WASHER WELL POINTS



Features:

- For use in ground with sharp stones or rocks
- Drilled and countersunk holes are covered with wire cloth and held in place by washers.

| Part Number | Trade Number | Gauze | Pipe Size | Pipe Lg. | Weight (Lbs.) | List Price Each |
|-------------|--------------|-------|-----------|----------|---------------|-------------------------|
| 916460 | SS301 | 60 | 1-1/4 | 24 | 6 | See separate price list |
| 916462 | SS301 | 80 | 1-1/4 | 24 | 6 | |
| 916482 | SS302 | 60 | 1-1/4 | 30 | 7 | |
| 916486 | SS302 | 80 | 1-1/4 | 30 | 7 | |
| 916500 | SS303 | 60 | 1-1/4 | 36 | 8 | |
| 916504 | SS303 | 80 | 1-1/4 | 36 | 8 | |
| 916518 | SS305 | 60 | 1-1/4 | 48 | 11 | |
| 916522 | SS305 | 80 | 1-1/4 | 48 | 11 | |
| 916594 | SS325 | 60 | 2 | 36 | 13 | |
| 916598 | SS325 | 80 | 2 | 36 | 13 | |
| 916612 | SS327 | 60 | 2 | 48 | 16 | |
| 916616 | SS327 | 80 | 2 | 48 | 16 | |

STAINLESS STEEL MONITOR POINT

Features:

- Stainless steel tubing and point can be fabricated to provide an excellent aid for monitoring
- Minimum quantity of twelve units required
- Refer to page 73 for monitoring points

WELL POINT ACCESSORIES



9

USA MADE DRIVE COUPLINGS GALVANIZED

| Part Number | Pipe Size (Inches) | Approx. Weight (Lbs.) | Quantity Per Box | List Price Each |
|-------------|--------------------|-----------------------|------------------|-------------------------|
| 941574 | 1-1/4 | 1.0 | 25 | See separate price list |
| 941576 | 2 | 1.5 | 15 | |



618

DRIVE CAPS MALLEABLE

| Part Number | Pipe Size (Inches) | Approx. Weight (Lbs.) | List Price Each |
|-------------|--------------------|-----------------------|-------------------------|
| 930562 | 1-1/4 | 1.5 | See separate price list |
| 930568 | 2 | 3.25 | |



810

“SAND SHARK” BACKWASH VALVES

Features:

- Cast iron housing

| Part Number | Valve Size (Inches) | Pressure Pipe Tap (Inches) | Threads | Approx. Weight (Lbs.) | List Price Each |
|-------------|---------------------|----------------------------|-----------|-----------------------|-------------------------|
| 930141 | 2 NPT Male | 1 NPS | Left Hand | 2.0 | See separate price list |



800

BACKWASH VALVES

Features:

- No lead brass: ≤ .025% Lead Content
- Stainless steel spring and ballcheck

| Part Number | Pipe Size (Inches) | Approx. Weight (Lbs.) | List Price Each |
|-------------|--------------------|-----------------------|-------------------------|
| 922804 | 1-1/4 | .60 | See separate price list |
| 922810 | 2 | .75 | |

WASHER WELL POINTS
WELL POINT ACCESSORIES

WELL SEAL ACCESSORIES



COPPER WELL SEAL AIR VENT

Features:

- Vermin proof
- Fabricated from copper
- Low profile

| Part Number | Diameter | Length | Thread Size | List Price |
|-------------|----------|---------|-------------|-------------------------|
| 930632 | 7/8" | 2" | 1/2" NPT | See separate price list |
| 930634 | 1-1/4" | 2-9/32" | 3/4" NPT | |

Note: 3/4" can be used on 8" or larger well seal



PVC WELL SEAL AIR VENT

Features:

- Fits most solid or split top well seals
- Slotted area provides vermin proof protection
- Manufactured from rugged PVC

| Part Number | Diameter | Length | Thread Size | List Price |
|-------------|----------|--------|-------------|-------------------------|
| 930630 | 1 | 5-1/2" | 1/2" NPT | See separate price list |



STEEL WELL SEAL AIR VENT

Features:

- Fabricated from 1/2" heavy duty galvanized steel
- Brass and stainless steel 24 mesh screen

| Part Number | O.A. Length | Vent Height | Thread Size | Weight | List Price |
|-------------|-------------|-------------|-------------|--------|-------------------------|
| 934634 | 13" | 8" | 1/2" NPT | 1.35 | See separate price list |
| 934636 | 17" | 12" | 1/2" NPT | 1.10 | |



WELL SEALS

SINGLE PIPE WELL SEALS - SPLIT TOP

Features:

- Split cast iron top for ease of installation
- Cable seal kit included
- 6" seal and above has 1" cable hole
- Vent opening 1/2" NPT
- 4" and 5" seals have 3/4" cable hole



459S

| Part Number | Model Number | Size Casing I.D. X Drop Pipe | Hole Location | Weight (Lbs.) | List Price Each |
|-------------|--------------|------------------------------|---------------|---------------|-------------------------|
| 930647 | 459S | 4 x 1 | Offset | 3.9 | See separate price list |
| 930650 | 459S | 4 x 1-1/4 | Offset | 3.2 | |
| 930656 | 459S | 4 x 2 | Offset | 2.7 | |
| 930713 | 459S | 5 x 1 | Center | 6.4 | |
| 930716 | 459S | 5 x 1-1/4 | Center | 5.7 | |
| 930720 | 459S | 5 x 2 | Center | 4.9 | |
| 930755 | 459S | 5-5/8 x 1 | Center | 8.1 | |
| 930757 | 459S | 5-5/8 x 1-1/4 | Center | 6.9 | |
| 930782 | 459S | 6 x 1 | Center | 9.9 | |
| 930785 | 459S | 6 x 1-1/4 | Center | 9.7 | |
| 930789 | 459S | 6 x 2 | Center | 7.7 | |
| 930809 | 459S | 6 -1/4 x 1 | Center | 7.5 | |
| 930811 | 459S | 6-1/4 x 1-1/4 | Center | 8.1 | |
| 930815 | 459S | 6-1/4 x 2 | Center | 7.8 | |
| 930850 | 459S | 8 x 1 | Center | 17.3 | |
| 930852 | 459S | 8 x 1-1/4 | Center | 17.4 | |
| 930856 | 459S | 8 x 2 | Center | 16.1 | |
| 930858 | 459S | 8 x 3 | Center | 14.1 | |
| 930860 | 459S | 8 x 4 | Center | 11.7 | |

WELL SEAL ACCESSORIES
WELL SEALS



SINGLE PIPE WELL SEALS - SOLID TOP

Features:

- One piece cast iron top meets Wisconsin State Code
- Cable seal kit included
- Vent opening 1/2" NPT
- 6" seal has 1" cable hole



459W

| Part Number | Model Number | Size Casing I.D. I.D. X Drop Pipe | Hole Location | Weight (Lbs.) | List Price Each |
|-------------|--------------|-----------------------------------|---------------|---------------|-------------------------|
| 930640 | 459W | 4 x Blank | Blank | 4.0 | See separate price list |
| 930654 | 459W | 4 x 1 | Center | 3.9 | |
| 931259 | 459W | 4 x 1 | Offset | 3.8 | |
| 931269 | 459W | 5 x 1 | Center | 6.5 | |
| 931651 | 459W | 6 x 0 | None | 8.7 | |
| 931275 | 459W | 6 x 1 | Center | 8.6 | |
| 931278 | 459W | 6 x 1-1/4 | Center | 8.5 | |
| 931282 | 459W | 6 x 2 | Center | 7.5 | |

SINGLE PIPE WELL SEALS

Features:

- One piece cast iron top
- Provided with optional pointed set screws for threaded pipe



359

| Part Number | Model Number | Size Casing I.D. I.D. X Drop Pipe | Hole Location | Weight (Lbs.) | List Price Each |
|-------------|--------------|-----------------------------------|---------------|---------------|-------------------------|
| 931297 | 359 | 2 x 1 | Center | 2.5 | See separate price list |
| 931300 | 359 | 2 x 1-1/4 | Center | 2.3 | |

DOUBLE PIPE WELL SEALS - SPLIT TOP

Features:

- Two piece cast iron top



| Part Number | Model Number | Size Casing I.D. I.D. X Drop Pipe | Weight (Lbs.) | List Price Each |
|-------------|--------------|-----------------------------------|---------------|-------------------------|
| 950004 | 559 | 4 x 1-1/4 x 1 | 3.0 | See separate price list |
| 950006 | 559 | 4 x 1-1/4 x 1-1/4 | 3.0 | |
| 950015 | 559 | 5 x 1-1/4 x 1 | 5.0 | |
| 950031 | 559 | 6 x 1-1/4 x 1 | 9.0 | |
| 950033 | 559 | 6 x 1-1/4 x 1-1/4 | 9.0 | |

WELL SEALS



PACIFIC HYDRO™ STEEL SANITARY WELL SEALS

Features:

- Made from high strength steel
- Steel plates powder coated for durable finish
- Utilizes soft poly-vinyl packers
- Unique packer design allows for wide range of casing sizes
- Bolts and washers zinc plated
- 1" threaded wire drop hole standard on most well seals
- 1-1/4" threaded wire drop holes standard on 10" and larger seals
- Vent opening 1/2" on 4" to 7" well seals
- Vent opening 3/4" on 8" well seals and larger
- Optional safety cable 3/8" eye bolt available



| Part Number | Model Number | Size Casing I.D. X Drop Pipe | Top Plate Thickness | Working Load (Lbs.) | Weight (Lbs.) | List Price Each |
|-------------|----------------|------------------------------|---------------------|---------------------|---------------|-------------------------|
| 954010 | WS41 | 4" to 4 -1/4" x 1" | 3/16" | 2,141 | 1.80 | See separate price list |
| 954011 | WS41.25 | 4" to 4-1/4" x 1-1/4" | 3/16" | 2,141 | 1.76 | |
| 954012 | WS41.5 | 4" to 4-1/4" x 1-1/2" | 3/16" | 2,141 | 1.65 | |
| 954013 | WS42 | 4" to 4-1/4" x 2" | 3/16" | 2,141 | 1.55 | |
| 954004 | WS5OD1 | 4-1/2" to 4-3/4" x 1" | 3/16" | 1,520 | 2.65 | |
| 954005 | WS5OD1.25 | 4-1/2" to 4-3/4" x 1-1/4" | 3/16" | 1,520 | 2.35 | |
| 954006 | WS6OD1 | 5-3/16" to 5-7/16" x 1" | 3/16" | 1,520 | 2.90 | |
| 954007 | WS6OD1.25 | 5-3/16" to 5-7/16" x 1-1/4" | 3/16" | 1,520 | 2.90 | |
| 954015 | WS51 | 5" to 5-1/4" x 1" | 3/16" | 1,450 | 2.70 | |
| 954016 | WS51.25 | 5" to 5-1/4" x 1-1/4" | 3/16" | 1,450 | 2.40 | |
| 954017 | WS51.5 | 5" to 5-1/4" x 1-1/2" | 3/16" | 1,450 | 2.55 | |
| 954018 | WS52 | 5" to 5-1/4" x 2" | 3/16" | 1,450 | 2.85 | |
| 954020 | WS61 | 5-3/4" to 6-1/4" x 1" | 3/16" | 1,100 | 3.60 | |
| 954021 | WS61.25 | 5-3/4" to 6-1/4" x 1-1/4" | 3/16" | 1,100 | 3.60 | |
| 954022 | WS61.5 | 5-3/4" to 6-1/4" x 1-1/2" | 3/16" | 1,100 | 3.35 | |
| 954023 | WS62 | 5-3/4" to 6-1/4" x 2" | 3/16" | 1,100 | 3.35 | |
| 954024 | WS62.5 | 5-3/4" to 6-1/4" x 2-1/2" | 3/8" | 9,170 | 4.70 | |
| 954025 | WS63 | 5-3/4" to 6-1/4" x 3" | 3/8" | 9,170 | 5.00 | |
| 954026 | WS6 1/4 x 1 | 5-3/4" to 6-1/4" x 1" | 3/16" | 1,150 | 3.60 | |
| 954027 | WS6 1/4 x 1.25 | 5-3/4" to 6-1/4" x 1-1/4" | 3/16" | 1,150 | 3.60 | |
| 954029 | WS6 1/4 x 2 | 5-3/4" to 6-1/4" x 2" | 3/16" | 1,150 | 3.35 | |
| 954030 | WS71 | 6-5/8" to 7-1/4" x 1" | 1/4" | 2,000 | 5.45 | |
| 954031 | WS71.25 | 6-5/8" to 7-1/4" x 1-1/4" | 1/4" | 2,000 | 5.65 | |
| 954032 | WS71.5 | 6-5/8" to 7-1/4" x 1-1/2" | 1/4" | 2,000 | 5.40 | |
| 954033 | WS72 | 6-5/8" to 7-1/4" x 2" | 1/4" | 2,000 | 5.30 | |
| 954036 | WS81 | 7-3/4" to 8-1/4" x 1" | 1/4" | 1,650 | 7.45 | |
| 954037 | WS81.25 | 7-3/4" to 8-1/4" x 1-1/4" | 1/4" | 1,650 | 7.30 | |
| 954038 | WS81.5 | 7-3/4" to 8-1/4" x 1-1/2" | 1/4" | 1,650 | 6.75 | |
| 954039 | WS82 | 7-3/4" to 8-1/4" x 2" | 1/4" | 1,650 | 6.90 | |
| 954040 | WS8.25 | 7-3/4" to 8-1/4" x 2-1/2" | 3/8" | 6,900 | 8.35 | |
| 954041 | WS83 | 7-3/4" to 8-1/4" x 3" | 1/2" | 9,000 | 7.50 | |
| 954042 | WS84 | 7-3/4" to 8-1/4" x 4" | 5/8" | 22,500 | 9.60 | |
| 954045 | WS101 | 9-3/4" to 10-1/4" x 1" | 3/8" | 3,700 | 11.75 | |
| 954046 | WS101.25 | 9-3/4" to 10-1/4" x 1-1/4" | 3/8" | 3,700 | 11.95 | |
| 954047 | WS101.5 | 9-3/4" to 10-1/4" x 1-1/2" | 3/8" | 3,700 | 15.05 | |
| 954048 | WS102 | 9-3/4" to 10-1/4" x 2" | 3/8" | 3,700 | 14.70 | |
| 954049 | WS102.5 | 9-3/4" to 10-1/4" x 2-1/2" | 1/2" | 8,600 | 17.15 | |
| 954050 | WS103 | 9-3/4" to 10-1/4" x 3" | 5/8" | 16,200 | 19.55 | |
| 954051 | WS104 | 9-3/4" to 10-1/4" x 4" | 5/8" | 16,200 | 17.65 | |
| 954052 | WS105 | 9-3/4" to 10-1/4" x 5" | 3/4" | 30,000 | 17.50 | |
| 954053 | WS106 | 9-3/4" to 10-1/4" x 6" | 3/4" | 30,000 | 15.10 | |
| 954054 | WS121 | 11-3/4" to 12-1/4" x 1" | 1/4" | 885 | 26.00 | |
| 954055 | WS121.25 | 11-3/4" to 12-1/4" x 1-1/4" | 3/8" | 2,870 | 26.00 | |
| 954056 | WS121.5 | 11-3/4" to 12-1/4" x 1-1/2" | 3/8" | 2,870 | 26.00 | |
| 954057 | WS122 | 11-3/4" to 12-1/4" x 2" | 1/2" | 6,600 | 26.00 | |
| 954058 | WS122.5 | 11-3/4" to 12-1/4" x 2-1/2" | 1/2" | 6,600 | 26.00 | |
| 954059 | WS123 | 11-3/4" to 12-1/4" x 3" | 5/8" | 12,000 | 26.00 | |
| 954060 | WS124 | 11-3/4" to 12-1/4" x 4" | 5/8" | 12,000 | 26.00 | |
| 954061 | WS125 | 11-3/4" to 12-1/4" x 5" | 3/4" | 20,500 | 26.00 | |
| 954062 | WS126 | 11-3/4" to 12-1/4" x 6" | 3/4" | 21,000 | 26.00 | |
| 954070 | WS141.25 | 13 1/4" to 14" x 1 1/4" | 3/8" | 2,280 | 40 | |
| 954071 | WS141.5 | 13 1/4" to 14" x 1 1/2" | 1/2" | 4,850 | 49 | |
| 954072 | WS142 | 13 1/4" to 14" x 2" | 1/2" | 4,850 | 48 | |
| 954073 | WS142.5 | 13 1/4" to 14" x 2 1/2" | 1/2" | 4,850 | 47 | |
| 954074 | WS143 | 13 1/4" to 14" x 3" | 5/8" | 9,450 | 54 | |
| 954075 | WS144 | 13 1/4" to 14" x 4" | 3/4" | 16,000 | 59 | |
| 954076 | WS145 | 13 1/4" to 14" x 5" | 3/4" | 16,000 | 67 | |
| 954077 | WS146 | 13 1/4" to 14" x 6" | 1" | 38,000 | 67 | |
| 954080 | WS164 | 15 1/4" to 16" x 4" | 3/4" | 12,500 | 80 | |
| 954081 | WS166 | 15 1/4" to 16" x 6" | 1" | 30,000 | 91 | |

- **NOTE:**
- Custom sizes available. Contact factory for quotation.
- Also available manufactured from stainless steel.

WELL SEALS

SUPER WELL SEALS

• 3/8" Thick Steel Top Plate



| Part Number | Model Number | Size Casing I.D. X Drop Pipe | Top Plate Thickness | Working Load (Lbs.) | Weight (Lbs.) | List Price Each |
|-------------|------------------|------------------------------|---------------------|---------------------|---------------|-------------------------|
| 954311 | WS51.25 | 5" to 5-1/4" x 1-1/4" | 3/8" | 9,170 | 3.35 | See separate price list |
| 954312 | WS51.5 | 5" to 5-1/4" x 1-1/2" | 3/8" | 9,170 | 3.35 | |
| 954313 | WS52 | 5" to 5-1/4" x 2" | 3/8" | 9,170 | 3.35 | |
| 954320 | WS61 X 3/8" | 5-3/4" to 6-1/4" x 1" | 3/8" | 9,100 | 4 | |
| 954321 | WS61.25 X 3/8" | 5-3/4" to 6-1/4" x 1-1/4" | 3/8" | 9,100 | 4 | |
| 954322 | WS61.5 X 3/8" | 5-3/4" to 6-1/4" x 1-1/2" | 3/8" | 9,100 | 4 | |
| 954323 | WS62 X 3/8" | 5-3/4" to 6-1/4" x 2" | 3/8" | 9,100 | 4 | |
| 954326 | WS6.4.1 X 3/8" | 6-1/4" to 6-1/2" x 1" | 3/8" | 9,000 | 4 | |
| 954327 | WS6.4.125 X 3/8" | 6-1/4" to 6-1/2" x 1-1/4" | 3/8" | 9,000 | 4 | |
| 954328 | WS6.4.15 X 3/8" | 6-1/4" to 6-1/2" x 1-1/2" | 3/8" | 9,000 | 4 | |
| 954329 | WS6.4.2 X 3/8" | 6-1/4" to 6-1/2" x 2" | 3/8" | 9,000 | 4 | |
| 954330 | WS71 X 3/8" | 6-5/8" to 7-1/4" x 1" | 3/8" | 8,900 | 4 | |
| 954331 | WS71.25 X 3/8" | 6-5/8" to 7-1/4" x 1-1/4" | 3/8" | 8,900 | 4 | |
| 954332 | WS71.5 X 3/8" | 6-5/8" to 7-1/4" x 1-1/2" | 3/8" | 8,900 | 4 | |
| 954333 | WS72 X 3/8" | 6-5/8" to 7-1/4" x 2" | 3/8" | 8,900 | 4 | |
| 954336 | WS81 X 3/8" | 7-3/4" to 8-1/4" x 1" | 3/8" | 7,020 | 4 | |
| 954337 | WS81.25 X 3/8" | 7-3/4" to 8-1/4" x 1-1/4" | 3/8" | 7,020 | 4 | |
| 954338 | WS81.5 X 3/8" | 7-3/4" to 8-1/4" x 1-1/2" | 3/8" | 7,020 | 4 | |
| 954339 | WS82X 3/8" | 7-3/4" to 8-1/4" x 2" | 3/8" | 7,020 | 4 | |

PACIFIC HYDRO™ STEEL THICKER TOP PLATE SANITARY WELL "SUPER SEALS"

| Part Number | Model Number | Size Casing I.D. X Drop Pipe | Top Plate Thickness | Working Load (Lbs.) | Weight (Lbs.) | List Price Each |
|-------------|--------------|------------------------------|---------------------|---------------------|---------------|-------------------------|
| 954223 | WS62 | 5-3/4" to 6-1/4" x 2" | 1/2" | 9250 | 5.5 | See separate price list |
| 954224 | WS62.5 | 5-3/4" to 6-1/4" x 2-1/2" | 1/2" | 9250 | 5.4 | |
| 954225 | WS63 | 5-3/4" to 6-1/4" x 3" | 5/8" | 17,000 | 5.8 | |
| 954239 | WS82 | 7-3/4" to 8-1/4" x 2" | 5/8" | 16,500 | 9.0 | |
| 954240 | WS82.5 | 7-3/4" to 8-1/4" x 2-1/2" | 3/4" | 33,000 | 15.0 | |
| 954241 | WS83 | 7-3/4" to 8-1/4" x 3" | 3/4" | 33,000 | 12.85 | |
| 954242 | WS84 | 7-3/4" to 8-1/4" x 4" | 1" | 38,000 | 13.5 | |
| 954248 | WS102 | 9-3/4" to 10-1/4" x 2" | 5/8" | 16,000 | 18.0 | |
| 954249 | WS102.5 | 9-3/4" to 10-1/4" x 2-1/2" | 3/4" | 31,000 | 27.4 | |
| 954250 | WS103 | 9-3/4" to 10-1/4" x 3" | 1" | 39,000 | 25.9 | |
| 954259 | WS123 | 11-3/4" to 12-1/4" x 3" | 1" | 33,000 | 36.5 | |
| 954260 | WS124 | 11-3/4" to 12-1/4" x 4" | 1" | 33,000 | 34.2 | |

• Custom sizes available. Contact factory for quotation.
Also available manufactured from stainless steel.

PACIFIC HYDRO™ STEEL JET WELL SEALS

| Part Number | Model Number | Size Casing I.D. X Drop Pipe | Weight (Lbs.) | List Price Each |
|-------------|--------------|------------------------------------|---------------|-------------------------|
| 954100 | JS41.75 | 4" to 4-1/4" x 1" x 3/4" | 2 | See separate price list |
| 954101 | JS41.1 | 4" to 4-1/4" x 1" x 1" | 2 | |
| 954102 | JS41.25.1 | 4" to 4-1/4" x 1-1/4" x 1" | 2 | |
| 954105 | JS51.25.1 | 5" to 5-1/4" x 1-1/4" x 1" | 3 | |
| 954107 | JS51.5.1.25 | 5" to 5-1/4" x 1-1/2" x 1-1/4" | 3 | |
| 954110 | JS61.1 | 5-3/4" to 6-1/4" x 1" x 1" | 4 | |
| 954111 | JS61.25.1 | 5-3/4" to 6-1/4" x 1-1/4" x 1" | 4 | |
| 954112 | JS611.251.25 | 5-3/4" to 6-1/4" x 1-1/4" x 1-1/4" | 4 | |
| 954114 | JS61.5.1 | 5-3/4" to 6-1/4" x 1/2" x 1" | 4 | |
| 954116 | JS61.5.1.25 | 5-3/4" to 6-1/4" x 1-1/2" x 1-1/4" | 4 | |
| 954120 | JS71.25.1 | 6-5/8" to 7-1/4" x 1-1/4" x 1" | 5 | |
| 954123 | JS81.25.1 | 7-3/4" to 8-1/4" x 1-1/4" x 1" | 8 | |
| 954124 | JS81.25.1.25 | 7-3/4" to 8-1/4" x 1-1/4" x 1-1/4" | 4 | |
| 954125 | JS81.5.1.25 | 7-3/4" to 8-1/4" x 1-1/2" x 1-1/4" | 8 | |
| 954126 | JS81.5.1.5 | 7-3/4" to 8-1/4" x 1-1/2" x 1-1/2" | 8 | |

• Custom sizes available. Contact factory for quotation.
Also available manufactured from stainless steel.

WELL SEALS



OVER THE TOP CAST IRON SANITARY WELL SEALS

- Three stainless steel cup point set screws
- Seals have 1/2" vent hole as standard
- Positive Buna-N-Seal

| Part Number | Model Number | Size Casing O.D. X Drop Pipe | Top Plate Thickness | Working Load (Lbs.) | Weight (Lbs.) | List Price Each |
|-------------|--------------|---------------------------------|------------------------|------------------------|------------------|--------------------|
| 952620 | OTT4.1 | 4-1/2" X 1" | 3/4" | 6,000 | 0.9 | See |
| 952622 | OTT4.1-1/4 | 4-1/2" X 1-1/4" | 3/4" | 6,000 | 0.9 | separate |
| 952626 | OTT4.1.2 | 4-1/2" X 2" Offset | 3/4" | 6,000 | 1.0 | price list |



OVER THE TOP ALUMINUM SANITARY WELL SEALS

- Features:
- Cast Aluminum Alloy 319 — will not warp or crack
 - Three square head stainless steel cup point set screws
 - Seals have 1/2" vent hole as standard
 - Machined drop pipe seat with positive Buna-N-Seal

| Part Number | Model Number | Size Casing O.D. X Drop Pipe | Top Plate Thickness | Working Load (Lbs.) | Weight (Lbs.) | List Price Each |
|-------------|--------------|---------------------------------|------------------------|------------------------|------------------|-------------------------------|
| 952640 | OTT67.1 | 6-5/8" -7" x 1" | 1" | 24,000 | 3.0 | See separate price list |
| 952642 | OTT67.1 1/4" | 6-5/8" -7" x 1-1/4" | 1" | 24,000 | 3.0 | |
| 952644 | OTT67.1 1/2" | 6-5/8" -7" x 1-1/2" | 1" | 24,000 | 3.0 | |
| 952646 | OTT67.2 | 6-5/8" -7" x 2" | 1" | 24,000 | 3.0 | |
| 952650 | OTT8.1 | 8-5/8" x 1" | 1-1/4" | 26,000 | 5.2 | |
| 952652 | OTT8.1 1/4" | 8-5/8" x 1-1/4" | 1-1/4" | 26,000 | 5.2 | |
| 952654 | OTT8.1 1/2" | 8-5/8" x 1-1/2" | 1-1/4" | 26,000 | 5.2 | |
| 952656 | OTT8.2 | 8-5/8" x 2" | 1-1/4" | 26,000 | 5.2 | |
| 952660 | OTT10.1 | 10-3/4" x 1" | 1-1/4" | 30,000 | 8.3 | |
| 952662 | OTT10.1 1/4" | 10-3/4" x 1-1/4" | 1-1/4" | 30,000 | 8.3 | |
| 952664 | OTT10.1 1/2" | 10-3/4" x 1-1/2" | 1-1/4" | 30,000 | 8.2 | |
| 952666 | OTT10.2 | 10-3/4" x 2" | 1-1/4" | 30,000 | 8.2 | |

WELL SEALS
MISCELLANEOUS

TORCH HEAT GUN

- Features:
- Instant push button start
 - Variable heat adjustment
 - Attaches to standard 14 oz. propane tank (not included)
 - 3 Flame tips: Open, Deflection, Spreader
 - Ideal for heat shrinks

| Part Number | List Price |
|-------------|---|
| 952951 | Well Secure Heat Gun See separate price list |



MISCELLANEOUS

BLACK FLAG™ WASP AND HORNET KILLER

- Features:
- Powerful 15' stream
 - Non-conductive
 - Kills on contact
 - EPA registered all 50 states

| Part Number | Weight Per Can | Standard Pkg. Quantity | List Price Each |
|-------------|----------------|------------------------|-------------------------|
| 927650 | 12 oz. | 12 cans | See separate price list |



PLASTIC PAIL OPENER

- Features:
- Lightweight aluminum design
 - Equipped with hammer face to re-attach lid
 - Opens 1, 2, 3 1/2 and 5 gallon plastic pail

| Part Number | Quantity | Weight (Oz.) | List Price Each |
|-------------|----------|--------------|-------------------------|
| 927785 | IND. | 12 | See separate price list |



PRESSURE GAUGES

Features:

- Ametek
- With steel case/brass stem, 1/8" orifice
- Imported



| Part Number | Diameter (Inches) | Pressure Range (PSI) | Pressure Connection (Ins.) | Approx. Weight (Lbs.) | List Price Each |
|-------------|-------------------|----------------------|----------------------------|-----------------------|-------------------------|
| 940069 | 2 | 0-100# | 1/4 | .4 | See separate price list |

Features:

- Midwest Lead free ($\leq 0.25\%$ lead content)
- With steel case/brass stem, 1/8" orifice

| Part Number | Diameter (Inches) | Pressure Range (PSI) | Pressure Connection (Ins.) | Approx. Weight (Lbs.) | List Price Each |
|-------------|-------------------|----------------------|----------------------------|-----------------------|-------------------------|
| 940070 | 2 | 0-100# | 1/4 | .4 | See separate price list |
| 940068 | 2 | 0-200# | 1/4 | .4 | See separate price list |

BACK MOUNTED GAUGES



| Part Number | Diameter (Inches) | Pressure Range (PSI) | Pressure Connection (Ins.) | Approx. Weight (Lbs.) | List Price Each |
|-------------|-------------------|----------------------|----------------------------|-----------------------|-------------------------|
| 940071 | 2 | 0-100# | 1/4 | .4 | See separate price list |
| 940072 | 2 | 0-200# | 1/4 | .4 | See separate price list |

PRESSURE GAUGE LIQUID-FILLED MIDWEST - 2-1/2"

Features:

- Stainless steel case
- Liquid filled to reduce vibrations
- Lead free ($\leq 0.25\%$ lead content)
- Brass stem
- Imported



| Part Number | Model Number | Diameter (Inches) | Pressure Range (PSI) | Pressure Connection (Ins.) | Approx. Weight (Lbs.) | List Price Each |
|-------------|--------------|-------------------|----------------------|----------------------------|-----------------------|-------------------------|
| 940202 | PHLF100 | 2-1/2" | 0-100# | 1/4 | .42 | See separate price list |

2" LIQUID FILLED GAUGES

Features:

- Stainless steel case
- Liquid filled to reduce vibrations
- Lead free ($\leq 0.25\%$ lead content)
- Brass stem
- Imported



| Part Number | Model Number | Diameter (Inches) | Pressure Range (PSI) | Pressure Connection (Ins.) | Approx. Weight (Lbs.) | List Price Each |
|-------------|--------------|-------------------|----------------------|----------------------------|-----------------------|-------------------------|
| 940187 | PGLF1002 | 2 | 0-100# | 1/4 | .4 | See separate price list |
| 940189 | PGLF2002 | 2 | 0-200# | 1/4 | .4 | See separate price list |

2" LIQUID FILLED BACK MOUNTED GAUGES

Features:

- Lead free ($\leq 0.25\%$ lead content)
- Stainless steel case
- Imported
- Liquid filled to reduce vibrations
- Brass stem

| Part Number | Diameter (Inches) | Pressure Range (PSI) | Pressure Connection (Ins.) | Approx. Weight (Lbs.) | List Price Each |
|-------------|-------------------|----------------------|----------------------------|-----------------------|-------------------------|
| 940191 | 2 | 0-100# | 1/4 | .4 | See separate price list |
| 940193 | 2 | 0-200# | 1/4 | .4 | See separate price list |

2 1/2" LIQUID FILLED BACK MOUNTED GAUGES

Features:

- Lead free ($\leq 0.25\%$ lead content)
- Stainless steel case
- Liquid filled to reduce vibrations
- Imported

| Part Number | Diameter (Inches) | Pressure Range (PSI) | Pressure Connection (Ins.) | Approx. Weight (Lbs.) | List Price Each |
|-------------|-------------------|----------------------|----------------------------|-----------------------|-------------------------|
| 940073 | 2-1/2 | 0-100# | 1/4 | .45 | See separate price list |
| 940074 | 2-1/2 | 0-200# | 1/4 | .45 | See separate price list |

PRESSURE GAUGES



LIQUID FILLED GAUGES

Features:

- Stainless steel case
- Lead free ($\leq 0.25\%$ lead content)
- Brass stem
- USA Made



| Part Number | Model Number | Diameter (Inches) | Pressure Range (PSI) | Pressure Connection (Ins.) | Approx. Weight (Lbs.) | List Price Each |
|-------------|--------------|-------------------|----------------------|----------------------------|-----------------------|-------------------------|
| 940204 | PGL30 | 2-1/2 | 0-30# | 1/4 | .50 | See separate price list |
| 940206 | PGL60 | 2-1/2 | 0-60# | 1/4 | .50 | |
| 940208 | PGL100 | 2-1/2 | 0-100# | 1/4 | .50 | |
| 940210 | PGL160 | 2-1/2 | 0-160# | 1/4 | .50 | |
| 940212 | PGL200 | 2-1/2 | 0-200# | 1/4 | .50 | |
| 940214 | PGL300 | 2-1/2 | 0-300# | 1/4 | .50 | |
| 940216 | PGL400 | 2-1/2 | 0-400# | 1/4 | .50 | |
| 940218 | PGL600 | 2-1/2 | 0-600# | 1/4 | .50 | |
| 940220 | PGL1000 | 2-1/2 | 0-1000# | 1/4 | .50 | |
| 940222 | PGL60 | 4 | 0-60# | 1/4 | .50 | |
| 940224 | PGL100 | 4 | 0-100# | 1/4 | 1.90 | |
| 940226 | PGL160 | 4 | 0-160# | 1/4 | 1.90 | |
| 940228 | PGL200 | 4 | 0-200# | 1/4 | 1.90 | |
| 940230 | PGL300 | 4 | 0-300# | 1/4 | 1.90 | |
| 940232 | PGL400 | 4 | 0-400# | 1/4 | 1.90 | |
| 940234 | PGL600 | 4 | 0-600# | 1/4 | 1.90 | |
| 940236 | PGL1000 | 4 | 0-1000# | 1/4 | 1.90 | |

• NOTE: Other size pressure gauges on request

2-1/2" LIQUID FILLED BACK MOUNTED GAUGES

Features:

- Lead free ($\leq 0.25\%$ lead content)
- Brass stem
- Stainless steel case
- USA made



| Part Number | Model Number | Diameter (Inches) | Pressure Range (PSI) | Pressure Connection (Ins.) | Approx. Weight (Lbs.) | List Price Each |
|-------------|--------------|-------------------|----------------------|----------------------------|-----------------------|-------------------------|
| 940255 | PGL30 | 2-1/2 | 0-30# | 1/4 | .50 | See separate price list |
| 940256 | PGL60 | 2-1/2 | 0-60# | 1/4 | .50 | |
| 940257 | PGL100 | 2-1/2 | 0-100# | 1/4 | .50 | |
| 940259 | PGL200 | 2-1/2 | 0-200# | 1/4 | .50 | |
| 940260 | PGL300 | 2-1/2 | 0-300# | 1/4 | .50 | |
| 940261 | PGL400 | 2-1/2 | 0-400# | 1/4 | .50 | |
| 940263 | PGL1000 | 2-1/2 | 0-1000# | 1/4 | .50 | |

2-1/2" LIQUID FILLED VACUUM GAUGES

Features:

- Stainless steel case
- 1/4" bottom

| Part Number | Model Number | Description | List Price Each |
|-------------|--------------|--------------------|-------------------------|
| 940250 | PGL-30 | 25.901 -30/+30 PSI | See separate price list |



4 1/2" WATER LEVEL GAUGE

Features:

- Used in conjunction with airline
- Steel case
- Adjustable dial to permit reading water level in feet
- Phosphor bronze bourdon tube

| CA566 | Model Number | Depth Range | Connection (Inches) | Approx. Weight (Lbs.) | List Price Each |
|--------|--------------|-------------|---------------------|-----------------------|-------------------------|
| 940238 | CA566 | 0-390 ft. | 1/4 | 2.0 | See separate price list |

2" DRY GAUGE - BOTTOM MOUNT: MADE IN USA

| Part Number | Description | List Price Each |
|-------------|-------------|-------------------------|
| 940160 | 0-100# | See separate price list |

GAUGE PANEL MOUNTING CLAMP

| Part Number | Description | List Price Each |
|-------------|-------------------------------------|-------------------------|
| 940242 | Designed for back connecting gauges | See separate price list |



PRESSURE GAUGES

• NOTE: Other size pressure gauges on request

ACCESSORIES

SQUARE D PRESSURE SWITCHES - TELEMECANIQUE



| Part Number | Type | Pressure Range (PSI) | Description | Pressure Connection | Approx. Weight (Lbs.) | List Price Each |
|-------------|-----------|----------------------|------------------------------|---------------------|-----------------------|-------------------------|
| 940024 | FSG2 | 20/40 | Standard switch | 1/4" | 1.3 | See separate price list |
| 940032 | FSG2 | 30/50 | Standard switch | 1/4" | 1.3 | |
| 940026 | FSG2 | 40/60 | Standard switch | 1/4" | 1.3 | |
| 940133 | FSG2J2oMI | 20/40 | Manual cut-off | 1/4" | 2 | |
| 940134 | FSG2J2oMI | 30/50 | Manual cut-off | 1/4" | 2 | |
| 940135 | FSG2J2oMI | 40/60 | Manual cut-off | 1/4" | 2 | |
| 940023 | FSG2MIP | 30/50 | Manual cut-off lever-P.Plug | 1/4" | 1.5 | |
| 940054 | FSG2M4 | 20/40 | Low pressure cut-off | 1/4" | 1.5 | |
| 940028 | FSG2M4 | 30/50 | Low pressure cut-off | 1/4" | 1.5 | |
| 940055 | FSG2M4 | 40/60 | Low pressure cut-off | 1/4" | 1.5 | |
| 940130 | FRG2 | 50/30 | Reverse Action | 1/4" | 1.3 | |
| 940030 | FSG2P | 20/40 | With Pulsation Plug | 1/4" | 1.3 | |
| 940031 | FSG2P | 30/50 | With Pulsation Plug | 1/4" | 1.3 | |
| 940029 | FSG2P | 40/60 | With Pulsation Plug | 1/4" | 1.3 | |
| 940136 | FSW2 | 20/40 | Corrosion Resistant NEMA3R | 1/4" | 2 | |
| 940137 | FSW2 | 30/50 | Corrosion Resistant NEMA3R | 1/4" | 2 | |
| 940138 | FSW2 | 40/60 | Corrosion Resistant NEMA3R | 1/4" | 2 | |
| 940139 | GSW | 20/40 | Heavy Duty Nema 4 | 1/4" | 2.2 | |
| 940140 | GSW | 30/50 | Heavy Duty Nema 4 | 1/4" | 2.2 | |
| 940141 | GSW | 40/60 | Heavy Duty Nema 4 | 1/4" | 2.2 | |
| 940022 | Form P | --- | Nylon Pulsation Plug | | 0.1 | |
| 940056 | FSG-PC241 | --- | Replacement Contact Kit | | 0.2 | |
| 940057 | FYG2 | 20/40 | Higher HP. 80 PSI | 1/4" | 1.3 | |
| 940058 | FYG2 | 30/50 | Higher HP. 80 PSI | 1/4" | 1.3 | |
| 940059 | FYG2 | 40/60 | Higher HP. 80 PSI | 1/4" | 1.3 | |
| 940064 | FYG2 | 60/80 | Higher HP. 80 PSI | 1/4" | 1.3 | |
| 940065 | FYG2 | 50/70 | Higher HP. 80 PSI | 1/4" | 1.3 | |
| 940039 | GSG2 | 20/40 | Light Industrial-Air & Water | 1/4" | 2 | |
| 940041 | GSG2 | 30/50 | Light Industrial-Air & Water | 1/4" | 2 | |
| 940040 | GSG2 | 40/60 | Light Industrial-Air & Water | 1/4" | 2 | |
| 940042 | GSG2 | 60/80 | Light Industrial-Air & Water | 1/4" | 2 | |
| 940047 | GHG2 | 60/80 | Commercial Higher Pressure | 1/4" | 2.2 | |
| 940048 | GHG2 | 80/100 | Commercial Higher Pressure | 1/4" | 2.2 | |
| 940043 | GHG2R | 100/80 | Reversing Higher Pressure | 1/4" | 2.2 | |

- Lead Free: ≤ .025% Lead Content

SQUARE D FLOAT SWITCHES | Class 9036



| Part Number | Type | Description | Approx. Weight | List Price Each |
|-------------|------|-------------------------------------|----------------|-------------------------|
| 940142 | DG2 | Float Close On Liquid Rise | 2 | See separate price list |
| 940143 | DG2R | Float Reversing Open On Liquid Rise | 2 | |
| 940146 | GG2 | Float Close On Liquid Rise | 2 | |
| 940147 | GG2R | Float Reversing Open On Liquid Rise | 2 | |
| 940148 | FG30 | Float Close On Liquid Rise | 2 | |

- Float not included

SQUARE D FLOAT SWITCHES | Class 9037

| Part Number | Square D Part # | Float Positions from Front of Switch | Float Rod Angle | Approx. Water Min. | Level Change Max. | Operations | List Price Each |
|-------------|-----------------|--------------------------------------|-----------------|--------------------|-------------------|----------------------|-------------------------|
| 940060 | 9037HG33 | Right | 45 | 2" | 5" | Close On Liquid Rise | See separate price list |
| 940062 | 9037HG34 | Left | 45 | 2" | 5" | Close On Liquid Rise | |

- Note:
- Other Square D switches, switch accessories, and pump safety switches available on request.
- Float not included

SQUARE D GENERAL DUTY SAFETY SWITCHES



| Part Number | Type | Description | Pressure Connection | Approx. Weight | List Price Each |
|-------------|---------|-----------------------------------|---------------------|----------------|-------------------------|
| 970001 | D211N | Fusible GD 120/240V 30A 2P NEMA1 | 1/4" | .95 lbs. | See separate price list |
| 970002 | D211NRB | Fusible GD 120/240V 30A 2P NEMA3R | 1/4" | .95 lbs. | |
| 970005 | 222N | Fusible GD 240V 60A 2P NEMA1 | 1/4" | .95 lbs. | |

ACCESSORIES

ALDERON MECHANICAL PUMP SWITCHES

Features:

- 15 amp rating eliminates 1/2 horsepower float switches
- Patented mechanical design eliminates hazardous mercury
- PVC float housing
- Heavy duty cable, 14 gauge, 2 conductor cable
- Omni-directional, not sensitive to rotation or turbulence
- Adjustable pumping range
- UL Listed

| Part Number | Model Number | Description | Cord Length | Voltage | List Price Each |
|-------------|--------------|----------------------|-------------|------------|-------------------------|
| 969005 | 7300 | Piggyback, pump down | 10' | 120VAC | See separate price list |
| 969010 | 7055 | Piggyback, pump down | 20' | 120VAC | |
| 969015 | 7304 | Piggyback, pump up | 10' | 120/230VAC | |
| 969020 | 7372 | No plug, pump up | 10' | 120/230VAC | |
| 969025 | 7069 | No plug, pump up | 15' | 120/230VAC | |



ALDERON SIMPLEX CONTROL AND ALARM PANELS

Features:

- Big switch control panel utilizes a pump switch and a control float activating a high water alarm
- Hand/off/auto
- Alarm light
- Alarm buzzer - auto reset
- Green pump-run indicator light
- NEMA 4X
- UL Listed

| Part Number | Model Number | Description | Voltage | List Price Each |
|-------------|--------------|--|------------|-------------------------|
| 969030 | 7173 | Single Piggyback/8" to 22" pumping range | 120/230VAC | See separate price list |
| 969035 | 7185 | Single Piggyback/2" to 60" pumping range | 120VAC | |
| 969040 | 7186 | Single Piggyback/2" to 60" pumping range | 1230VAC | |



ALDERON 7001 TANK ALARM SYSTEM

Features:

- Flashing light and buzzer
- Unique auto reset
- Battery backup protection
- Alarm auxiliary contact offers flexibility to remote sources
- Indicator lights/power and alarm status
- UL and CSA listed

| Part Number | Model Number | Description | List Price Each |
|-------------|--------------|---------------------------------------|-------------------------|
| 965040 | 7001 | Type 1 Enclosure, high level 15' cord | See separate price list |



ALDERON 7008 WATER SPOTTER, FLOOD SENSOR

Features:

- Works in conjunction with 7001 Tank Alarm
- Detects water at 1/16"

| Part Number | Model Number | Description | Cord Length | Voltage | List Price Each |
|-------------|--------------|--------------|-------------|---------|-------------------------|
| 965041 | 7008 | Flood Sensor | 15' | 120VAC | See separate price list |



ALDERON 7004 TANK ALARM SYSTEM

Features:

- Automatic buzzer reset
- REC polycarbonate beacon
- 100db alarm buzzer
- UL and CSA listed

| Part Number | Model Number | Description | List Price Each |
|-------------|--------------|--|-------------------------|
| 965045 | 7004 | NEMA 4X, Indoor/Outdoor high level 15' | See separate price list |



ACCESSORIES

ACCESSORIES



MAASS MIDWEST PRESSURE SWITCHES

- Features:
- CSA listed
 - UL listed

| Part Number | Type | Pressure Range (PSI) | Description | Pressure Connection | Approx. Weight (Lbs.) | List Price Each |
|-------------|------|----------------------|-----------------|---------------------|-----------------------|-------------------------|
| 940049 | PS2 | 20/40 | Standard switch | 1/4" | 1.4 | See separate price list |
| 940050 | PS2 | 30/50 | Standard switch | 1/4" | 1.4 | |
| 940051 | PS2 | 40/60 | Standard switch | 1/4" | 1.4 | |



HEAT SHRINK SPLICE KITS

These kits feature thick wall, self-sealing heat shrinkable tubing which provides quick, moisture-proof splicing in the field. Kits are available in 2, 3 and 4 wire versions.

- Features:
- Professional grade
 - Splices made using standard wire crimping tool
 - Permanently flexible sealant
 - Wide range of sealing capability - will cover a large diameter connection and still effectively seal down to a small diameter cable
 - Easy activation with heat source
 - Excellent Dielectric strength
 - 3M material USA made
 - Highly resistant to moisture, fungus and weathering

| Part Number | Description | List Price Each |
|-------------|--|-------------------------|
| 942001 | Heat Shrink Kit A-2 for 10, 12, 14 gauge wire (2 wire, black) Heat Shrink Kit A-2C for 10, 12, 14 gauge wire (2 wire, clear) | See separate price list |
| 942002 | | |
| 942003 | Heat Shrink Kit A-3 for 10, 12, 14 gauge wire (3 wire, black) Heat Shrink Kit A-3C for 10, 12, 14 gauge wire (3 wire, clear) | |
| 942004 | | |
| 942005 | Heat Shrink Kit A-8 for 8 gauge wire (4 wire, black) Heat Shrink Kit A-8C for 8 gauge wire (4 wire, clear) | |
| 942006 | | |
| 942008 | Heat Shrink Kit A-4 for 10, 12, 14 gauge wire (4 wire, black) Heat Shrink Kit A-4C for 10, 12, 14 gauge wire (4 wire, clear) | |
| 942009 | | |
| 942012 | Master Pack Heat Shrink Kit A-12C for 10, 12, 14 gauge wire (12 pks, clear) | |
| 942022 | Heat Shrink Kit A-4, for 6 gauge wire (4 wire, black) Heat Shrink Kit A-4,6C for 6 gauge wire (4 wire, clear) | |
| 942023 | | |
| 942024 | Heat Shrink Kit A-4,4 for 4 gauge wire (4 wire, black) Heat Shrink Kit A-4,4C for 4 gauge wire (4 wire, clear) | |
| 942025 | | |

STANDARD CLEAR AND BLACK TUBING

| Part Number | Tubing Size | Color | Wire Size | Bag Quantity | Bag Weight (Lbs.) | List Price Each |
|-------------|-------------|-------|-----------|--------------|-------------------|-------------------------|
| 942029 | 3/8" x 3" | Clear | #10-12-14 | 50 | .52 | See separate price list |
| 942030 | 3/8" x 3" | Clear | #10-12-14 | 100 | .27 | |
| 942033 | 3/8" x 3" | Black | #10-12-14 | 50 | .19 | |
| 942034 | 3/8" x 3" | Black | #10-12-14 | 100 | .36 | |

BUTT SPLICE CONNECTORS

| Part Number | Wire Gauge | Description | Quantity Per Package | List Price Each |
|-------------|------------|-------------|----------------------|-------------------------|
| 942007 | 10-12-14 | B-1210 | 50 | See separate price list |
| 942032 | 10-12-14 | B-1210 | 100 | |
| 942040 | 8 | BC-8 | 50 | |
| 942041 | 6 | BC-6 | 25 | |
| 942042 | 4 | BC-4 | 25 | |
| 942043 | 2 | BC-2 | 1 | |
| 942044 | 1/0 | BC-10 | 1 | |
| 942045 | 2/0 | BC-20 | 1 | |

UNDERGROUND CABLE SPLICE KIT

- Features:
- For direct burial of 14 to 8 gauge multi-conductor feeder cable (copper wire only)
 - Easy activation with heat source
 - Will accommodate 2 or 3 conductors with ground
 - UL and CSA listed

| Part Number | Description | List Price Each |
|-------------|----------------------|-------------------------|
| 942010 | Markel UF splice kit | See separate price list |



ACCESSORIES

IDEAL ELECTRICAL CABLE TIES

Features:

- For tying and bundling applications

| Part Number | Length | Size | Package Quantity | List Price Each |
|-------------|--------|------------------|------------------|-------------------------|
| 942060 | 8.1" | 1/16" to 2-3/16" | 100 | See separate price list |
| 942061 | 14.5" | 1/16" to 4" | 100 | |



IDEAL SILICONE-FILLED WIRE CONNECTORS

Features:

- Pre-filled silicone, wire nut connectors
- UL Listed to 486D for use in damp/wet conditions
- Weatherproof™ for interior or exterior locations
- Easy to apply, pre-filled twist-on connectors

| Part Number | Model Number | Wire Range | Quantity (Per Carton) | List Price Each |
|-------------|--------------|------------|-----------------------|-------------------------|
| 942054 | 62 | 18 - 8AWG | 100 | See separate price list |
| 942056 | 63 | 16 - 6AWG | 100 | |



WELL CASING ELECTRICAL GROUNDING CLAMP Patented (Patent No. D414744)

Features:

- Meets UL and CSA Standards for the bonding of ground wire to metal well casing
- Fits well casing 3" through 10"
- Easily installed under the well cap
- Required by National Electric Code
- Suitable for 14 to 8 gauge copper wire
- Cast brass material
- Made in USA



| Part Number | Model Number | Well Casing | Wire Gauge | List Price Each |
|-------------|--------------|-------------|------------|-------------------------|
| 952900 | M1 | 3" - 10" | 14-8 | See separate price list |

SURGE ARRESTOR

Features:

- Designed to protect motors and controls from voltage surges
- Surges in excess of 500 volts are shunted to ground
- Easily installed in conjunction with pressure switch or control box
- Can be used with either 2 or 3 wire motors

| Part Number | Quantity Per Package | List Price Each |
|-------------|----------------------|-------------------------|
| 942020 | 1 | See separate price list |



SELF-FUSING SILICONE TAPE

Features:

- No adhesive needed
- No torch needed
- No need for heat shrinks
- Insulates 400V/7 MIL
- Waterproof
- UL Listed
- Maintains all characteristics and resistances from -65° up to 500°F
- Made in USA



| Part Number | Description | Size | List Price Each |
|-------------|-----------------------------|----------|-------------------------|
| 943000 | Tape Dispenser | 1" X 10" | See separate price list |
| 943100 | Refill - Black - Triangular | 1" X 12" | |
| 943300 | Refill - Clear - Triangular | 1" X 12" | |
| 943500 | 30 MIL Black - Rectangular | 2" X 30" | |

ALL WEATHER ELECTRICAL TAPE

Features:

- Requires no heat, moisture or other matter to be effective
- No more than 600V
- No more than 176°F (80°C)

| Part Number | Size | Description | Approved | List Price Each |
|-------------|------------|------------------------------|----------|-------------------------|
| 942011 | 3/4" x 60' | 7.0 mil thickness | UL | See separate price list |
| 942016 | 2" x 100' | 10 mil thickness - pipe wrap | | |





3M™ SUPER 33 + VINYL ELECTRICAL TAPE

Features:

- UL Listed; UL 510 Standard “Insulating Tape”
- PVC tape with high dielectric strength, flame retardant and conformable
- Excellent resistance to abrasion, moisture, alkalis, acid, copper, corrosion, varying weather conditions, and sunlight
- 7 mil thickness

| Part Number | Size | Description | Carton Quantity | List Price Each |
|-------------|------------|----------------------------|-----------------|-------------------------|
| 942017 | 3/4" x 66' | Up to 600V & 220°F (105°C) | 10 | See separate price list |

3M™ 2242 LINERLESS TAPE | BLACK

Features:

- Multi-purpose insulating tape
- Rated to 194°F (90°C)
- Excellent for use in splicing and terminating wires and cables
- Flame resistant
- Moisture-sealing and insulating
- Linerless Ethylene Propylene Rubber
- For motor leads and wire and cable jacket repair

| Part Number | Size | Description | Carton Quantity | List Price Each |
|-------------|-------------|------------------|-----------------|-------------------------|
| 942015 | 3/4" X 180" | 30 MIL Thickness | 24 | See separate price list |



PTFE THREAD SEAL TAPE | Gray

Features:

- Prevents galling, seizing and corrosion
- Temperature range from -450°F to 550°F
- For coarse stainless steel threads
- Made in USA

| Part Number | Size | Description | Qty. per Case | Weight | List Price Each |
|-------------|-------------|-----------------------|---------------|---------|-------------------------|
| 942072 | 1/2" x 520" | Gray thread seal tape | 144 | 10 Lbs. | See separate price list |

PTFE THREAD SEAL TAPE | White

Features:

- Made from 100% virgin PTFE
- May be used on stainless steel
- No pigments or additives
- Temperature range from -450°F to 550°F



| Part Number | Size | Description | Qty. per Case | Weight | List Price Each |
|-------------|--------------|------------------------|---------------|---------|-------------------------|
| 942082 | 1/2" x 1296" | White thread seal tape | 250 | 22 lbs. | See separate price list |
| 942086 | 3/4" x 1296" | White thread seal tape | 150 | 16 lbs. | |

1/4" POLYPROPYLENE BRAIDED ROPE

Features:

- 1000 lb. tensile strength
- Made in USA
- Retains flexibility at all temperatures
- Completely rot and mildew proof
- Spool manufactured from plastic



| Part Number | Length (Feet) | Weight (Lbs.) | List Price Each |
|-------------|---------------|---------------|-------------------------|
| 941700 | 500 | 4.5 | See separate price list |
| 941701 | 1000 | 8.5 | |
| 941702 | 3000 | 25.3 | |

POLYPROPYLENE THREE STRAND TWISTED ROPE

Features:

- Yellow
- Spool manufactured from wood or plastic
- 1/4" - 1125 lb. tensile strength
- 3/8" - 2500 lb. tensile strength



| Part Number | Size | Length (Feet) | Spool Material | Weight (Lbs.) | List Price Each |
|-------------|------|---------------|----------------|---------------|-------------------------|
| 941705 | 1/4" | 1200 | Plastic | 13 | See separate price list |
| 941708 | 3/8" | 600 | Wood | 13 | |
| 941710 | 3/8" | 1200 | Wood | 37 | |

ACCESSORIES

PRESSURE SNUBBER

Features:

- Brass piston type
- Resists clogging
- Five different size pistons included with each snubber

| Part Number | Model Number | Description | Connection | Approx. Weight | List Price Each |
|-------------|--------------|------------------|------------|----------------|-------------------------|
| 940240 | PS1325 | Pressure snubber | 1/4" | 4 oz. | See separate price list |



RELIEF VALVES

Features:

- Brass, spring loaded pressure relief valve for shallow and deep well pumps
- Lead Free: ≤ .025% Lead Content

| Part Number | Pipe Size (Inches) | Pressure Setting | Approx. Weight (Lbs.) | List Price Each |
|-------------|--------------------|------------------|-----------------------|-------------------------|
| 934004 | 1/2 x 1/2 | 75 lbs. | .5 | See separate price list |
| 934005 | 3/4 x 1/2 | 75 lbs. | .5 | |
| 935005 | 3/4 x 1/2 | 100 lbs. | 1.20 | |



370 Relief

RELIEF VALVES

Features:

- Adjustable pressure setting, 10 to 125 PSI
- Factory set at 75 PSI

| Part Number | Pipe Size (Inches) | Approx. Weight (Lbs.) | List Price Each |
|-------------|--------------------|-----------------------|-------------------------|
| 934002 | 3/4 x 3/4 | 1.20 | See separate price list |



5370

SERIES 645 AIR VALVES

Features:

- Light spring

| Part Number | Size (Inches) | Approx. Weight (Ounces) | List Price Each |
|-------------|---------------|-------------------------|-------------------------|
| 940006 | 1/8 | 1 oz. | See separate price list |
| 940009 | 1/4 | 1 oz. | |
| 549004 | CORE ONLY | -- | |
| 549008 | CAP ONLY | -- | |
| | | | |



645

SERIES 655 AIR VALVES

Features:

- No spring

| Part Number | Size (Inches) | Approx. Weight (Ounces) | List Price Each |
|-------------|---------------|-------------------------|-------------------------|
| 940010 | 1/8 | 1 oz. | See separate price list |
| 940011 | 1/4 | 1 oz. | |
| 549006 | CORE ONLY | -- | |

SUBMERSIBLE CABLE GUARD

Features:

- Use to centralize pipe in well casing

| Part Number | For Casing Size (Inches) | Weight Each (Ounces) | List Price Each |
|-------------|--------------------------|----------------------|-------------------------|
| 934010 | 4-5-6 | 2 | See separate price list |



934010

SUBMERSIBLE WRAP AROUND CABLE GUARD

Features:

- Fits 1" drop pipe
- Clamp device adjusts to drop pipe
- Two large holes for wire and safety rope

| Part Number | For Casing Size (Inches) | Weight Each (Ounces) | List Price Each |
|-------------|--------------------------|----------------------|-------------------------|
| 934014 | 4-5-6 | 2 | See separate price list |



ACCESSORIES



934014

TORQUE ARRESTORS

- Features:
- Remains flexible under extreme cold temperatures
 - Supplied with two stainless steel clamps
 - Fits 1-1 1/2" drop pipe
 - Expandable rubber fits 4-8" casing
 - Individually bagged

| Part Number | Trade Number | Description | Weight Each (Lbs.) | List Price Each |
|-------------|--------------|-------------|--------------------|-------------------------|
| 934011 | STA-48 | Two Halves | 2 | See separate price list |

STA-48



539

BLEEDER VALVES

- Features:
- Used to supply air to pressure tanks

| Part Number | Pipe Size (Inches) | Material | Weight Each (Ounces) | List Price Each |
|-------------|--------------------|----------|----------------------|-------------------------|
| 922792 | 3/4 | Brass | 3 | See separate price list |
| 941648 | 1 | Rubber | 2 | |

ALL STAINLESS
STEEL CLAMPS U.S.
MANUFACTURED
Ideal®
NSF/ANSI STANDARD 61



68 SERIES IDEAL STANT®

- 200 series band and housing
- 400 series 5/16" hex head and Screw

| Part Number | Diameter Range (Inches) | | Standard Package | Standard Carton | Pounds per 100 | List Price Each |
|-------------|-------------------------|--------|------------------|-----------------|----------------|-------------------------|
| | Min. | Max. | | | | |
| 446806 | 3/8 | 7/8 | 10 | 200 | 2 | See separate price list |
| 446810 | 1/2 | 1-1/16 | 10 | 500 | 4 | |
| 446812 | 1/2 | 1-1/4 | 10 | 500 | 5 | |
| 446816 | 3/4 | 1-1/2 | 10 | 500 | 5 | |
| 446820 | 3/4 | 1- 3/4 | 10 | 500 | 5 | |
| 446824 | 1 | 2 | 10 | 500 | 6 | |
| 446828 | 1-5/16 | 2-1/4 | 10 | 500 | 6 | |
| 446832 | 1-5/8 | 2-1/2 | 10 | 500 | 7 | |
| 446836 | 3/4 | 2-3/4 | 10 | 200 | 7 | |
| 446840 | 1 | 3 | 10 | 200 | 8 | |
| 446844 | 1-1/4 | 3-1/4 | 10 | 200 | 8 | |
| 446848 | 1-1/2 | 3-1/2 | 10 | 200 | 8 | |
| 446852 | 1-3/4 | 3-3/4 | 10 | 100 | 8 | |
| 446856 | 2 | 4 | 10 | 100 | 10 | |
| 446864 | 2-1/2 | 4-1/2 | 10 | 100 | 11 | |
| 446872 | 3 | 5 | 10 | 100 | 11 | |
| 446880 | 3-1/2 | 5-1/2 | 10 | 100 | 14 | |
| 446888 | 4 | 6 | 10 | 100 | 14 | |
| 446896 | 4-1/2 | 6-1/2 | 10 | 100 | 14 | |
| 446104 | 5 | 7 | 10 | 100 | 14 | |
| 463188 | 2 | 12-1/4 | 50 | 100 | 36 | |

69 SERIES IDEAL STANT® LOX-ON

- Unique double locking-system

| Part Number | Diameter Range (Inches) | | Standard Package | Standard Carton | Pounds per 100 | List Price Each |
|-------------|-------------------------|-------|------------------|-----------------|----------------|-------------------------|
| | Min. | Max. | | | | |
| 446920 | 11/16 | 1-3/4 | 50 | 500 | 2 | See separate price list |
| 446932 | 11/16 | 2-5/8 | 50 | 500 | 2 | |
| 446972 | 1-3/4 | 5 | 50 | 500 | 2 | |

ACCESSORIES

PITCHER PUMP

Features:

- Heavy cast iron pump
- Hook for pail
- Cap can be adjusted for a wide range of handle positions

| Part Number | Type of Spout | Cylinder Size (Inches) | 700 Valve Leather | Base Tapped (In. IPS) | Height (Inches) | Weight (Lbs.) | List Price Each |
|-------------|---------------|------------------------|-------------------|-----------------------|-----------------|---------------|-------------------------|
| 940100 | Open | 3 | 3 x 3-1/2 | 1-1/4 | 18 | 19 | See separate price list |



AIR VOLUME CONTROLS

| Part Number | Trade Number | Mfr. | Description | Case | Weight (Lbs.) | List Price Each |
|-------------|--------------|---------|---------------------|-------|---------------|-------------------------|
| 940061 | 57 | Johnson | Deepwell less gauge | Noryl | 0.5 | See separate price list |
| 940063 | 57 | Ametek | Deepwell less gauge | Metal | 1.5 | |



AIR VOLUME CONTROLS

| Part Number | Trade Number | Manufacture | List Price Each |
|-------------|--------------|-------------|-------------------------|
| 940096 | AV-45 | Import | See separate price list |
| 940108 | AV-100 | Import | |



PLASTIC JET PUMP AIR CONTROL

Features:

- High capacity air charger fits all size tanks up to and including 82 gallon
- Easily manifolded for larger size tanks
- Easier to clean and remove snifter assembly
- Tapped 1/4 FIP

| Part Number | Description | List Price Each |
|-------------|----------------------|-------------------------|
| 940086 | Jet Pump Air Control | See separate price list |



PLASTIC JET PUMP AIR CONTROL INSTALLATION PACKAGE

Kit Includes:

- 4' poly tubing
- Two 1/4" MIP x 1/8" barb brass adapters

| Part Number | Description | List Price Each |
|-------------|----------------------------------|-------------------------|
| 940088 | Air Control Installation Package | See separate price list |

DOLE FLOW CONTROLS



DOLE FLOW CONTROLS

Features:

- Self cleaning devices, designed to deliver a constant volume of water flow output
- Flow rates maintained to $\pm 15\%$ up to pressure drops of 125 psi
- Zinc plated control body
- Lead Free: $\leq .025\%$ Lead Content
- Complies with U.S. Senate Bill AB 1953 low lead requirement

| Part Number | Model | Description | Flow Rate (GPM) | List Price Each |
|-------------|-------|---------------------------|-----------------|-------------------------|
| 934204 | GA | 3/8" female x 3/8" female | 0.19 | See separate price list |
| 934206 | GA | 3/8" female x 3/8" female | 0.25 | |
| 934208 | GA | 3/8" female x 3/8" female | 0.35 | |
| 934210 | GA | 3/8" female x 3/8" female | 0.50 | |
| 934214 | GA | 3/8" female x 3/8" female | 1.0 | |
| 934220 | GB | 1/2" female x 1/2" female | 1.0 | |
| 934222 | GB | 1/2" female x 1/2" female | 1.5 | |
| 934224 | GB | 1/2" female x 1/2" female | 2.0 | |
| 934228 | GB | 1/2" female x 1/2" female | 3.0 | |
| 934232 | GB | 1/2" female x 1/2" female | 4.0 | |
| 934234 | GB | 1/2" female x 1/2" female | 5.0 | |
| 934236 | GB | 1/2" female x 1/2" female | 6.0 | |
| 934240 | GC | 3/4" female x 3/4" female | 1.0 | |
| 934242 | GC | 3/4" female x 3/4" female | 1.5 | |
| 934244 | GC | 3/4" female x 3/4" female | 2.0 | |
| 934246 | GC | 3/4" female x 3/4" female | 2.5 | |
| 934248 | GC | 3/4" female x 3/4" female | 3.0 | |
| 934250 | GC | 3/4" female x 3/4" female | 3.5 | |
| 934252 | GC | 3/4" female x 3/4" female | 4.0 | |
| 934254 | GC | 3/4" female x 3/4" female | 5.0 | |
| 934256 | GC | 3/4" female x 3/4" female | 6.0 | |
| 934258 | GC | 3/4" female x 3/4" female | 7.0 | |
| 934260 | GC | 3/4" female x 3/4" female | 8.0 | |
| 934262 | GC | 3/4" female x 3/4" female | 9.0 | |
| 934264 | GC | 3/4" female x 3/4" female | 10.0 | |
| 934280 | GY | 3/4" male x 3/4" female | 1.0 | |
| 934282 | GY | 3/4" male x 3/4" female | 1.5 | |
| 934284 | GY | 3/4" male x 3/4" female | 2.0 | |
| 934288 | GY | 3/4" male x 3/4" female | 3.0 | |
| 934292 | GY | 3/4" male x 3/4" female | 4.0 | |
| 934294 | GY | 3/4" male x 3/4" female | 5.0 | |
| 934296 | GY | 3/4" male x 3/4" female | 6.0 | |
| 934298 | GY | 3/4" male x 3/4" female | 7.0 | |
| 934300 | GY | 3/4" male x 3/4" female | 8.0 | |
| 934302 | GY | 3/4" male x 3/4" female | 9.0 | |
| 934304 | GY | 3/4" male x 3/4" female | 10.0 | |
| 934320 | GX | 1" female x 1" female | 1.0 | |
| 934322 | GX | 1" female x 1" female | 1.5 | |
| 934324 | GX | 1" female x 1" female | 2.0 | |
| 934326 | GX | 1" female x 1" female | 2.5 | |
| 934328 | GX | 1" female x 1" female | 3.0 | |
| 934330 | GX | 1" female x 1" female | 3.5 | |
| 934332 | GX | 1" female x 1" female | 4.0 | |
| 934334 | GX | 1" female x 1" female | 5.0 | |
| 934336 | GX | 1" female x 1" female | 6.0 | |
| 934338 | GX | 1" female x 1" female | 7.0 | |
| 934340 | GX | 1" female x 1" female | 8.0 | |
| 934342 | GX | 1" female x 1" female | 9.0 | |
| 934344 | GX | 1" female x 1" female | 10.0 | |
| 934346 | GX | 1" female x 1" female | 12.0 | |
| 934348 | GX | 1" female x 1" female | 13.5 | |
| 934350 | GX | 1" female x 1" female | 15.0 | |
| 934352 | GX | 1" female x 1" female | 20.0 | |
| 934354 | GX | 1" female x 1" female | 25.0 | |
| 934356 | GX | 1" female x 1" female | 30.0 | |
| 934360 | GP | 1-1/4" male x 1-1/4" male | 1.0 | |
| 934362 | GP | 1-1/4" male x 1-1/4" male | 1.5 | |
| 934364 | GP | 1-1/4" male x 1-1/4" male | 2.0 | |
| 934368 | GP | 1-1/4" male x 1-1/4" male | 3.0 | |
| 934372 | GP | 1-1/4" male x 1-1/4" male | 4.0 | |
| 934374 | GP | 1-1/4" male x 1-1/4" male | 5.0 | |
| 934376 | GP | 1-1/4" male x 1-1/4" male | 6.0 | |
| 934378 | GP | 1-1/4" male x 1-1/4" male | 7.0 | |
| 934380 | GP | 1-1/4" male x 1-1/4" male | 8.0 | |
| 934382 | GP | 1-1/4" male x 1-1/4" male | 9.0 | |
| 934384 | GP | 1-1/4" male x 1-1/4" male | 10.0 | |
| 934386 | GP | 1-1/4" male x 1-1/4" male | 12.0 | |
| 934390 | GP | 1-1/4" male x 1-1/4" male | 15.0 | |
| 934392 | GP | 1-1/4" male x 1-1/4" male | 20.0 | |

DOLE FLOW CONTROLS

NOTE:

- When ordering, specify part number, model type and flow rate desired. i.e.: 934214 GA - 1.0
- Other sizes available upon request.

HG FLOW CONTROL REGULATORS

Features:

- Designed to deliver a constant volume of water flow output
- Flow tolerance of +/- 15%
- Temperature range 40° to 150°F
- Quiet operation
- Zinc plated body
- Lead Free: ≤ .025% Lead Content
- NSF/ANSI 61 and CSA

| Part Number | Model | Size | Flow Rate (GPM) | List Price Each |
|-------------|----------|-------------------|-----------------|-------------------------|
| 934686 | HGB-1.0 | 1/2F X 1/2F | 1 | See separate price list |
| 934690 | HGB-1.5 | 1/2F X 1/2F | 1-1/2 | |
| 934694 | HGB-2.0 | 1/2F X 1/2F | 2 | |
| 934698 | HGB-3.0 | 1/2F X 1/2F | 3 | |
| 934702 | HGB-4.0 | 1/2F X 1/2F | 4 | |
| 934706 | HGB-5.0 | 1/2F X 1/2F | 5 | |
| 934708 | HGB-6.0 | 1/2F X 1/2F | 6 | |
| 934724 | HGC-1.0 | 3/4F X 3/4F | 1 | |
| 934728 | HGC-1.5 | 3/4F X 3/4F | 1.5 | |
| 934732 | HGC-2.0 | 3/4F X 3/4F | 2 | |
| 934734 | HGC-2.5 | 3/4F X 3/4F | 1-1/2 | |
| 934736 | HGC-3.0 | 3/4F X 3/4F | 3 | |
| 934738 | HGC-3.5 | 3/4F X 3/4F | 3.5 | |
| 934740 | HGC-4.0 | 3/4F X 3/4F | 4 | |
| 934744 | HGC-5.0 | 3/4F X 3/4F | 5 | |
| 934746 | HGC-6.0 | 3/4F X 3/4F | 6 | |
| 934750 | HGC-7.0 | 3/4F X 3/4F | 7 | |
| 934776 | HGX-1.0 | 1F X 1F | 1 | |
| 934777 | HGX-2.0 | 1F X 1F | 2 | |
| 934778 | HGX-2.5 | 1F X 1F | 2-1/2 | |
| 934780 | HGX-3.0 | 1F X 1F | 3 | |
| 934782 | HGX-3.5 | 1F X 1F | 3-1/2 | |
| 934784 | HGX-4.0 | 1F X 1F | 4 | |
| 934790 | HGX-5.0 | 1F X 1F | 5 | |
| 934792 | HGX-6.0 | 1F X 1F | 6 | |
| 934796 | HGX-7.0 | 1F X 1F | 7 | |
| 934798 | HGX-8.0 | 1F X 1F | 8 | |
| 934800 | HGX-9.0 | 1F X 1F | 9 | |
| 934802 | HGX-10.0 | 1F X 1F | 10 | |
| 934804 | HGX-12.0 | 1F X 1F | 12 | |
| 934808 | HGX-13.5 | 1F X 1F | 13-1/2 | |
| 934810 | HGX-15.0 | 1F X 1F | 15 | |
| 934814 | HGX-20.0 | 1F X 1F | 20 | |
| 934818 | HGX-25.0 | 1F X 1F | 25 | |
| 934822 | HGX-30.0 | 1F X 1F | 30 | |
| 934840 | HGP-5.0 | 1-1/4 M X 1-1/4 M | 5 | |
| 934842 | HGP-6.0 | 1-1/4 M X 1-1/4 M | 6 | |
| 934846 | HGP-7.0 | 1-1/4 M X 1-1/4 M | 7 | |
| 934848 | HGP-8.0 | 1-1/4 M X 1-1/4 M | 8 | |
| 934850 | HGP-9.0 | 1-1/4 M X 1-1/4 M | 9 | |
| 934852 | HGP-10.0 | 1-1/4 M X 1-1/4 M | 10 | |
| 934854 | HGP-12.0 | 1-1/4 M X 1-1/4 M | 12 | |
| 934860 | HGP-15.0 | 1-1/4 M X 1-1/4 M | 15 | |
| 934864 | HGP-20.0 | 1-1/4 M X 1-1/4 M | 20 | |



HG FLOW CONTROL REGULATORS

CHARGE AIR 2000



CHARGE AIR 2000 - UNIVERSAL AIR CHARGING SYSTEM FOR HYDROPNEUMATIC TANKS

Features:

- Dual voltage switch system (120 - 240 VAC) allows for easy voltage selection
- Auto ranging solid state liquid level control
- Oil-less long life high capacity compressor
- Adjustable pressure switch (40 - 110 PSI)
- One year warranty
- Strain relief on probe connection
- Rodent proof air vents
- Stainless steel fasteners and gold zinc plating
- Heavy gauge UV resistant cover
- Direct access terminal block
- Improved air lines to handle higher temperatures and pressures

| Part Number | Model | List Price Each |
|-------------|--------|-------------------------|
| 992000 | CA2000 | See separate price list |

CHARGE AIR 2000 Specifications

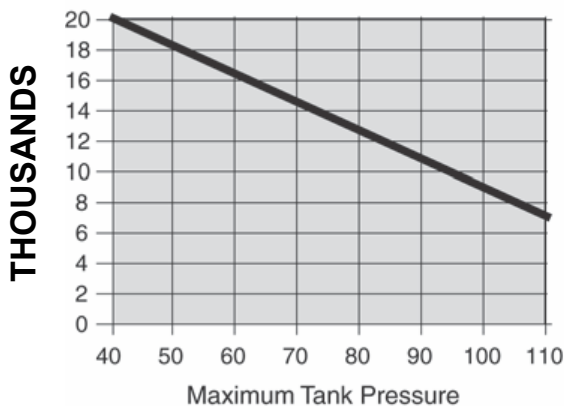
| | |
|---------------------------------|-----------------|
| Maximum tank size | 20,000 Gallons |
| Pressure range (adjustable) | 40 to 110 PSI |
| Pressure switch factory setting | 45 PSI cut-off |
| Operating current at 115 volts | 6 Amps |
| Operating current at 208 volts | 3.5 Amps |
| Operating current at 230 volts | 3 Amps |
| Tank connection | 2" FPT |
| Size (LxWxH) | 14" x 10" x 17" |
| Shipping weight | 37 Lbs. |

How the CHARGE AIR 2000 Works

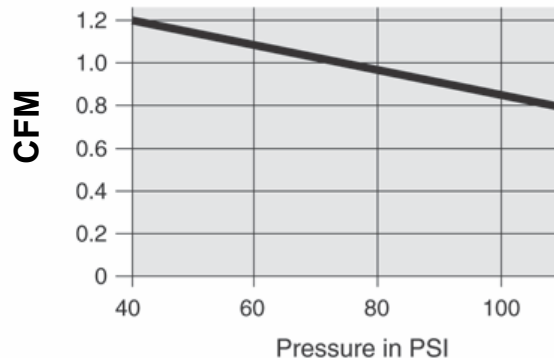
CHARGE AIR utilizes three primary components: a liquid level switch, a pressure switch, and an air compressor. Through an electrode suspended into the tank from the Charge Air system, the liquid level control continuously monitors the water level of the tank. Simultaneously, the pressure switch monitors the air pressure in the tank. When the water level is above the electrode and the air pressure in the tank drops below its setting, the compressor will start and continue to run until the proper air pressure is reached or the water level drops below the electrode. This constant monitoring guarantees that the optimum air charge is maintained.

CHARGE AIR 2000

Maximum Operating Pressure for Various Tank Sizes



Compressor Output



CONSTANT PRESSURE MANIFOLD

CONSTANT PRESSURE MANIFOLD | Patent: D 545, 406

Features:

- Fits 3/4" or 1" male tank fittings
- Lead free ($\leq 0.25\%$ lead content)
- Tapped with (2) 1", (2) 3/4", and (1) 1/4" threads
- Inlet and outlet tapped 1" female x 1-1/4" male



| Part Number | Weight (Lbs.) | List Price Each |
|-------------|---------------|-------------------------|
| 952280 | 2.35 | See separate price list |

CONSTANT PRESSURE MANIFOLD PACKAGES

Consists of:

- (1) 2" Stainless Steel Back Mounted Liquid Filled Gauge 0-100#
Lead free ($\leq 0.25\%$ lead content)
- (1) Spring loaded Pressure Relief Valve, set at 100 PSI at factory
- (1) Steel Mounting Bracket
- (1) 1/2" x 1/4" and (1) 1" x 1/2" Nylon Bushing for transducer connections
- (1) 1" x 3/4" Brass Tank Adapter Bushing
- (1) Chrome Plated Sample Valve or No Lead Brass Hose Bibb



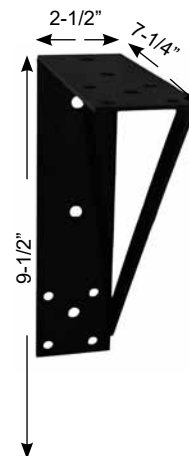
| Part Number | Weight (Lbs.) | Optional Connection | List Price Each |
|-------------|---------------|----------------------------|-------------------------|
| 952300 | 5.30 | Chrome Plated Sample Valve | See separate price list |
| 952302 | 5.30 | 1/4 Turn Brass Hose Bibb | |

WALL MOUNT BRACKET

Features:

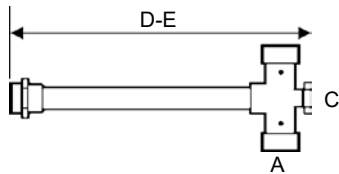
- Steel construction
- Will accept 3/8" bolts for mounting
- Versatile tank discharge center may be positioned 5 3/4" or 8 3/4" from wall
- Includes U bolt and nuts

| Part Number | Weight (Lbs.) | List Price Each |
|-------------|---------------|-------------------------|
| 952290 | 1.20 | See separate price list |



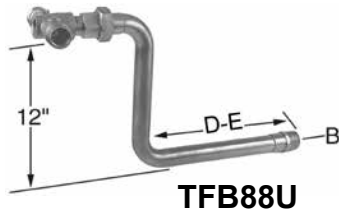
CONSTANT PRESSURE MANIFOLD

ACCESSORIES



LEGEND:

Letter "D" signifies two (2) drains
 Letter "C" signifies all cast brass tee
 Letter "F" signifies fabricated tee
 Letter "U" signifies fabricated tee with union



TFB88U



TFB99U



TFB91UF



TANK TEES

Features:

- All tees are fabricated with lead free solder
- 1" tees have 1" male x 3/4" female on inlet and outlet sides of cross
- 1-1/4" tees have 1-1/4" male x 1" female on inlet and outlet sides of cross
- Saves time and easy to install
- Brass and copper construction utilizing tin/silver solder
- Lead Free: ≤ .025% Lead Content

| Part Number | Model Number | NPT A O.D. (in.) | NPT A I.D. (in.) | B (in.) | D-E Length (in.) | C Tapping | List Price Each |
|--|--------------|------------------|------------------|-----------------------|------------------|-----------|-------------------------|
| Cast Brass | | | | | | | |
| 952270 | TCB-1 | 1 | 3/4 | 1 female | 2 | 3/4 | See separate price list |
| 952271 | TCB-1D | 1 | 3/4 | 1 female | 2 | (2) 1/2 | |
| 952273 | TCB-1S | 1 | 3/4 | 1 sweat | 2 | 3/4 | |
| 952276 | TCB-1SD | 1 | 3/4 | 1 sweat | 2-1/4 | (2) 1/2 | |
| 952243 | TCB-2D | 1-1/4 | 1 | 1 female X 1-1/4 male | 5 | (2) 3/4 | |
| 952248 | TCB-11 | 1 | 3/4 | 1 male | 10-3/4 | 1/2 | |
| 952249 | TCB-11D | 1 | 3/4 | 1 male | 10-3/4 | (2) 1/2 | |
| Fabricated | | | | | | | |
| 952310 | TFB-11 | 1 | 3/4 | 1 male | 11 | 3/4 | |
| 952313 | TFB-11D | 1 | 3/4 | 1 male | 11 | (2) 1/2 | |
| 952316 | TFB-13 | 1 | 3/4 | 1 male | 13 | 3/4 | |
| 952319 | TFB-13D | 1 | 3/4 | 1 male | 13 | (2) 1/2 | |
| 952322 | TFB-44 | 1-1/4 | 1 | 1-1/4 male | 15 | 3/4 | |
| 952325 | TFB-44D | 1-1/4 | 1 | 1-1/4 male | 15 | (2) 3/4 | |
| With Union | | | | | | | |
| 952340 | TFB-13U | 1 | 3/4 | 1 male | 13 | 3/4 | |
| 952344 | TFB-13UD | 1 | 3/4 | 1 male | 13 | (2) 1/2 | |
| 952348 | TFB-44U | 1-1/4 | 1 | 1-1/4 male | 16 | 3/4 | |
| 952352 | TFB-44UD | 1-1/4 | 1 | 1-1/4 male | 16 | (2) 3/4 | |
| 952356 | TFB-88U | 1 | 3/4 | 1 male | 12 | 3/4 | |
| 952360 | TFB-88UD | 1 | 3/4 | 1 male | 12 | (2) 1/2 | |
| 952364 | TFB-91UF | 1 | 3/4 | 1 female | WellMate™ | 3/4 | |
| 952368 | TFB-91UFD | 1 | 3/4 | 1 female | WellMate™ | (2) 1/2 | |
| 952372 | TFB-99U | 1 | 3/4 | 1 male | 12 | 3/4 | |
| 952376 | TFB-99UD | 1 | 3/4 | 1 male | 12 | (2) 1/2 | |
| Designed to accommodate the new flush to skirt female tank fittings | | | | | | | |
| 952306 | TFB-10 | 1 | 3/4 | 1 male | 4 1/2 | 3/4 | |
| 952308 | TFB-10D | 1 | 3/4 | 1 male | 4 1/2 | (2) 1/2 | |
| 952366 | TFB-91UMX | 1 | 3/4 | 1 male | 3 | 3/4 | |
| 952370 | TFB-91UMDX | 1 | 3/4 | 1 male | 3 | (2) 1/2 | |

GALVANIZED TANK TEE KIT

- Kit includes 1/4" x 3" and 1" x 8" galvanized nipples.

| Part Number | Model Number | NPT | B | B-C Length | C Tapping | List Price Each |
|-------------|--------------|-----|----------|------------|-----------|-------------------------|
| 952260 | TFG1-8 | 1 | 1 female | 11" | 1/2 | See separate price list |

GALVANIZED TANK TEE ONLY

| Part Number | Model Number | A NPT | B | C Tapping | List Price Each |
|-------------|--------------|-------|--------------|-----------|-------------------------|
| 952265 | TCG-1 | 1 | 1 female | 1/2 | See separate price list |
| 952267 | TCG-44 | 1-1/4 | 1 1/4 female | | |

ACCESSORY TOOLS

626 TAPER TAP

Features:

- Case hardened steel
- Extra sharp teeth to grab lost pipe or pump
- Can be used to retrieve well screens

| Part Number | Description | Approx. Weight (Lbs.) | List Price Each |
|-------------|--|-----------------------|-------------------------|
| 930078 | Fitted for 1" pipe to pull 3/8" to 1-1/4" pipe | 3.5 | See separate price list |
| 930081 | Fitted for 1-1/4" pipe to pull 3/4" to 2" pipe | 6.5 | |
| 930084 | Fitted for 1-1/2" pipe to pull 2" to 3" pipe | 19.0 | |
| 930087 | Fitted for 3" pipe to pull 1-3/4" to 4-1/2" dia. | 18.0 | |

626



625 PIPE HOLDER

Features:

- Cast iron components
- Will handle 1" thru 2" drop pipe
- 2,000 lb. non-shock load limit

| Part Number | Approx. Weight (Lbs.) | List Price Each |
|-------------|-----------------------|-------------------------|
| 934030 | 27 | See separate price list |



625

625 PIPE HOLDER REPAIR PARTS

| Part Number | Description | List Price Each |
|-------------|-----------------|-------------------------|
| 934031 | Cast Iron Dog | See separate price list |
| 934032 | Wood Base | |
| 934033 | Cast Iron Frame | |
| 934034 | Cast Iron Slide | |
| 934035 | Steel Pin | |

629 SAND BUCKETS

Features:

- Bucket has replaceable check flapper
- Standard length 4 ft.

| Part Number | Well Size (Inches) | Approx. Weight Each (Lbs.) | List Price Each |
|-------------|--------------------|----------------------------|-------------------------|
| 930090 | 2 | 2.0 | See separate price list |
| 930099 | 3 | 16.0 | |
| 930105 | 4 | 23.0 | |



629

INSERT FITTINGS



MA 100 L

CAST RED BRASS

Features:

- Carbide tooling used to machine sharp male barbs
- 100% air tested for leaks or defective castings
- XL = Extra long insert
- L = Rope lug
- Lead Free: ≤ .025% Lead Content

MALE ADAPTERS

| Part Number | Model Number | IPS X Insert | Quantity per Carton | Weight per Carton (Lbs.) | List Price Each |
|-------------|--------------|---------------|---------------------|--------------------------|-------------------------|
| 952220 | MA-75 | 3/4 x 3/4 | 40 | 10.0 | See separate price list |
| 952222 | MA-100 | 1 x 1 | 25 | 10.5 | |
| 952224 | MA-125 | 1-1/4 x 1-1/4 | 15 | 8.5 | |
| 952226 | MA-150 | 1-1/2 x 1-1/2 | 15 | 11.5 | |
| 952228 | MA-75-100 | 3/4 x 1 | 32 | 9.0 | |
| 952230 | MA-100-125 | 1 x 1-1/4 | 20 | 9.0 | |
| 952232 | MAXL-100 | 1 x 1 | 25 | 10.5 | |
| 952234 | MAXL-125 | 1-1/4 x 1-1/4 | 15 | 8.0 | |
| 952240 | MA-125-100-L | 1-1/4 x 1 | 15 | 9.0 | |
| 952236 | MA-100-L | 1 x 1 | 25 | 12.5 | |



FA-100

FEMALE ADAPTERS

| Part Number | Model Number | FIPS X Insert | Quantity per Carton | Weight per Carton (Lbs.) | List Price Each |
|-------------|--------------|---------------|---------------------|--------------------------|-------------------------|
| 952202 | FA-75 | 3/4 x 3/4 | 40 | 15.5 | See separate price list |
| 952204 | FA-100 | 1 x 1 | 30 | 15.0 | |
| 952206 | FA-125 | 1-1/4 x 1-1/4 | 15 | 10.0 | |
| 952208 | FA-150 | 1-1/2 x 1-1/2 | 10 | 10.0 | |
| 952212 | FAS-75 | 3/4 x 3/4 | 40 | 15.5 | |
| 952210 | FAS-75-100 | 3/4 x 1 | 40 | 15.5 | |
| 952214 | FAS-100 | 1 x 1 | 30 | 15.0 | |
| 952216 | FAS-125 | 1-1/4 x 1-1/4 | 20 | 10.0 | |

Note: FAS fittings are sweat x insert

HYDRANT ELLS

- Lead Free: ≤ .025% Lead Content



HL 100

| Part Number | Model Number | MIP X Insert | Quantity per Carton | Weight per Carton (Lbs.) | List Price Each |
|-------------|--------------|--------------|---------------------|--------------------------|-------------------------|
| 952192 | HL-75 | 3/4 x 3/4 | 32 | 13.5 | See separate price list |
| 952196 | HL-75-100 | 3/4 x 1 | 32 | 14.0 | |
| 952194 | HL-100XL | 1 x 1 | 28 | 15.5 | |
| 952205 | HL-100TPD | 1 x 1 | 28 | 15.5 | |

Note: 952205 HL100TPD - Tapped 1/4" NPT for ground water heat pump sensor or drain

COMBO ELL

Features:

- Female pipe x male adapter
- Ideal in combination with Maass Model J or JC Pitless Adapter
- Extra long male barbs to utilize two hose clamps
- Square body for easy wrenching
- Lead Free: ≤ .025% Lead Content



Combo ELL

| Part Number | FIPS X Insert | Quantity per Carton | Weight per Carton (Lbs.) | List Price Each |
|-------------|---------------|---------------------|--------------------------|-------------------------|
| 952304 | 1 x 1 | 25 | 25 | See separate price list |
| 952303 | 1-1/4 x 1-1/4 | 25 | 25 | |

INSERT FITTINGS

CAST RED BRASS

BRASS WIRE SPUD

Features:

- Bulkhead fitting
- Allows pump wiring to pass through well casing wall
- Ideal for flowing or gaseous well venting
- Lead Free: ≤ .025% Lead Content

| Part Number | Model Number | IPS I.D. X IPS O.D. | Quantity per Carton | Weight per Carton (Lbs.) | List Price Each |
|-------------|--------------|---------------------|---------------------|--------------------------|-------------------------|
| 952184 | WS-75-100 | 3/4 x 1 | 25 | 18.5 | See separate price list |



HYDRANT TEES

- Lead Free: ≤ .025% Lead Content

| Part Number | Model Number | Insert X Insert X IPS | Quantity per Carton | Weight per Carton (Lbs.) | List Price Each |
|-------------|--------------|-----------------------|---------------------|--------------------------|-------------------------|
| 952198 | HT-75-100 | 1 x 1 x 3/4 | 30 | 18.5 | See separate price list |
| 952200 | HT-100 | 1 x 1 x 1 | 30 | 19.5 | |



COUPLINGS

- Lead Free: ≤ .025% Lead Content

| Part Number | Model Number | Insert X Insert | Quantity per Carton | Weight per Carton (Lbs.) | List Price Each |
|-------------|--------------|-----------------|---------------------|--------------------------|-------------------------|
| 952380 | C-75 | 3/4 x 3/4 | 40 | 12.0 | See separate price list |
| 952382 | C-100 | 1 x 1 | 25 | 10.5 | |
| 952384 | C-125 | 1-1/4 x 1-1/4 | 15 | 9.0 | |
| 952386 | C-150 | 1-1/2 x 1-1/2 | 15 | 12.0 | |



ELLS

- Lead Free: ≤ .025% Lead Content

| Part Number | Model Number | Insert X Insert | Quantity per Carton | Weight per Carton (Lbs.) | List Price Each |
|-------------|--------------|-----------------|---------------------|--------------------------|-------------------------|
| 952400 | EL-75 | 3/4 x 3/4 | 30 | 10.0 | See separate price list |
| 952402 | EL-100 | 1 x 1 | 25 | 12.5 | |
| 952404 | EL-125 | 1-1/4 x 1-1/4 | 15 | 11.5 | |
| 952406 | EL-150 | 1-1/2 x 1-1/2 | 10 | 10.0 | |



TEES

- Lead Free: ≤ .025% Lead Content

| Part Number | Model Number | Insert X Insert X Insert | Quantity per Carton | Weight per Carton (Lbs.) | List Price Each |
|-------------|--------------|--------------------------|---------------------|--------------------------|-------------------------|
| 952500 | TE-75 | 3/4 x 3/4 x 3/4 | 30 | 10.0 | See separate price list |
| 952502 | TE-100 | 1 x 1 x 1 | 25 | 12.5 | |
| 952504 | TE-125 | 1-1/4 x 1-1/4 x 1-1/4 | 15 | 11.5 | |
| 952506 | TE-150 | 1-1/2 x 1-1/2 x 1-1/2 | 10 | 10.0 | |



UNION

- Lead Free: ≤ .025% Lead Content

| Part Number | Model Number | IPS X Insert | Quantity per Carton | Weight per Carton (Lbs.) | List Price Each |
|-------------|--------------|---------------|---------------------|--------------------------|-------------------------|
| 952186 | U-100 | 1 x 1 | 15 | 11.0 | See separate price list |
| 952188 | U-125 | 1-1/4 x 1-1/4 | 15 | 16.0 | |



INSERT FITTINGS

RED BRASS

- Lead Free: ≤ .025% Lead Content

MALE ADAPTERS

| Part Number | Trade Number | Pipe Size (Inches) | Approx. Weight per 100 Pcs. | Pieces per Carton | List Price Each |
|-------------|--------------|--------------------|-----------------------------|-------------------|-------------------------|
| 406604 | MAB-2 | 1/2 | 15 | 25 | See separate price list |
| 406605 | MAB-3 | 3/4 | 22 | 25 | |
| 406606 | MAB-4 | 1 | 35 | 20 | |
| 406607 | MAB-5 | 1-1/4 | 52 | 20 | See separate price list |
| 406608 | MAB-6 | 1-1/2 | 68 | 20 | |

- Sold by carton quantity only except for MAB 8 & 12

COUPLINGS

| Part Number | Trade Number | Pipe Size (Inches) | Approx. Weight per 100 Pcs. | Pieces per Carton | List Price Each |
|-------------|--------------|--------------------|-----------------------------|-------------------|-------------------------|
| 407004 | CPB-2 | 1/2 | 14 | 25 | See separate price list |
| 407005 | CPB-3 | 3/4 | 24 | 25 | |
| 407006 | CPB-4 | 1 | 35 | 20 | |
| 407007 | CPB-5 | 1-1/4 | 55 | 20 | |
| 407009 | CPB-8 | 2 | 126 | 10 | |

- Sold by carton quantity only except for CPB-8

FEMALE ADAPTERS

| Part Number | Trade Number | Pipe Size (Inches) | Approx. Weight per 100 Pcs. | Pieces per Carton | List Price Each |
|-------------|--------------|--------------------|-----------------------------|-------------------|-------------------------|
| 406804 | FAB-2 | 1/2 | 20 | 25 | See separate price list |
| 406805 | FAB-3 | 3/4 | 25 | 25 | |
| 406806 | FAB-4 | 1 | 35 | 20 | |
| 406807 | FAB-5 | 1-1/4 | 55 | 20 | |

- Sold by carton quantity only

GALVANIZED STEEL

- Lead Free: ≤ .025% Lead Content

MALE ADAPTERS

| Part Number | Trade Number | Pipe Size (Inches) | Approx. Weight per 100 (Lbs.) | Pieces per Carton | List Price Each |
|-------------|--------------|--------------------|-------------------------------|-------------------|-------------------------|
| 406504 | MAS-2 | 1/2 | 15 | 25 | See separate price list |
| 406505 | MAS-3 | 3/4 | 22 | 25 | |
| 406506 | MAS-4 | 1 | 35 | 20 | |
| 406507 | MAS-5 | 1-1/4 | 52 | 20 | |
| 406508 | MAS-6 | 1-1/2 | 68 | 20 | |
| 406509 | MAS-8 | 2 | 92 | 10 | |
| 406510 | MAS-10 | 2-1/2 | 200 | 10 | |
| 406511 | MAS-12 | 3 | 250 | 10 | |
| 406513 | MAS-16 | 4 | 450 | 10 | |

- Sold by carton only except for MAS 12 & 16

COUPLINGS

| Part Number | Trade Number | Pipe Size (Inches) | Approx. Weight per 100 Pcs. | Pieces per Carton | List Price Each |
|-------------|--------------|--------------------|-----------------------------|-------------------|-------------------------|
| 406904 | CPS-2 | 1/2 | 14 | 25 | See separate price list |
| 406905 | CPS-3 | 3/4 | 24 | 25 | |
| 406906 | CPS-4 | 1 | 35 | 20 | |
| 406907 | CPS-5 | 1-1/4 | 55 | 20 | |
| 406908 | CPS-6 | 1-1/2 | 66 | 20 | |
| 406909 | CPS-8 | 2 | 126 | 10 | |

- Sold by carton only

FEMALE ADAPTERS

| Part Number | Trade Number | Pipe Size (Inches) | Approx. Weight per 100 Pcs. | Pieces per Carton | List Price Each |
|-------------|--------------|--------------------|-----------------------------|-------------------|-------------------------|
| 406704 | FAS-2 | 1/2 | 20 | 10 | See separate price list |
| 406705 | FAS-3 | 3/4 | 25 | 25 | |
| 406706 | FAS-4 | 1 | 35 | 20 | |
| 406707 | FAS-5 | 1-1/4 | 65 | 20 | |

- Sold by carton only

INSERT FITTINGS

GALVANIZED STEEL INSERT FITTINGS

VENTURI MALE ADAPTERS

| Part Number | Trade Number | Pipe Size (Inches) | Length (Inches) | Pieces per Carton | Approx. Weight per 100 Pcs. | List Price Each |
|-------------|--------------|--------------------|-----------------|-------------------|-----------------------------|-------------------------|
| 408005 | VMAS-3 | 3/4 | 12 | 5 | 120 | See separate price list |
| 407706 | VMAS-4 | 1 | 6 | 5 | 78 | |
| 407806 | VMAS-4 | 1 | 8 | 5 | 104 | |
| 407707 | VMAS-5 | 1-1/4 | 6 | 5 | 102 | |

• Sold by carton only



PLASTIC INSERT FITTINGS

POLY PLUS

| Part Number | Size (Inches) | Pieces per Box | Approx. Weight per Box (Lbs.) | Pieces per Carton | List Price Each |
|---------------------------------------|---------------|----------------|-------------------------------|-------------------|-------------------------|
| Adapters - Plastic to Male | | | | | |
| 514004 | 1/2 | 25 | 0.5 | 600 | See separate price list |
| 514005 | 3/4 | 25 | 0.8 | 350 | |
| 514006 | 1 | 25 | 1.3 | 200 | |
| 514007 | 1-1/4 | 10 | 2.3 | 200 | |
| 514008 | 1-1/2 | 10 | 1.2 | 80 | |
| 514010 | 2 | 5 | 1.7 | 80 | |
| Couplings - Plastic to Plastic | | | | | |
| 518004 | 1/2 | 25 | 0.8 | 600 | |
| 518005 | 3/4 | 25 | 1.0 | 350 | |
| 518006 | 1 | 25 | 1.2 | 350 | |
| 518007 | 1-1/4 | 10 | 1.4 | 200 | |
| 518008 | 1-1/2 | 10 | 1.7 | 240 | |
| 518010 | 2 | 5 | 2.0 | 80 | |
| Elbows - PL x PL | | | | | |
| 521004 | 1/2 | 10 | 1.4 | 600 | |
| 521005 | 3/4 | 10 | 1.7 | 350 | |
| 521006 | 1 | 10 | 1.9 | 200 | |
| 521007 | 1-1/4 | 10 | 1.0 | 140 | |
| 521008 | 1-1/2 | 10 | 1.5 | 80 | |
| 521010 | 2 | 5 | 1.2 | 40 | |
| Tees - PL x PL x PL | | | | | |
| 539004 | 1/2 | 10 | 1.7 | 200 | |
| 539005 | 3/4 | 10 | 1.9 | 200 | |
| 539006 | 1 | 5 | 1.3 | 80 | |
| 539007 | 1-1/4 | 5 | 2.1 | 80 | |
| 539008 | 1-1/2 | 5 | 1.4 | 40 | |
| 539010 | 2 | 3 | 1.2 | 24 | |

NYLON

| Part Number | Size (Inches) | Pieces per Box | Approx. Weight per Box (Lbs.) | Pieces per Carton | List Price Each |
|---------------------------------------|---------------|----------------|-------------------------------|-------------------|-------------------------|
| Adapters - Plastic to Male | | | | | |
| 515004 | 1/2 | 25 | 0.6 | 600 | See separate price list |
| 515005 | 3/4 | 25 | 0.9 | 350 | |
| 515006 | 1 | 25 | 1.8 | 200 | |
| 515007 | 1-1/4 | 10 | 2.7 | 200 | |
| 515008 | 1-1/2 | 10 | 1.6 | 80 | |
| 515010 | 2 | 5 | 2.0 | 80 | |
| Couplings - Plastic to Plastic | | | | | |
| 519004 | 1/2 | 25 | 1.0 | 600 | |
| 519005 | 3/4 | 25 | 1.2 | 350 | |
| 519006 | 1 | 25 | 1.4 | 350 | |
| 519007 | 1-1/4 | 10 | 1.6 | 200 | |
| 519008 | 1-1/2 | 10 | 2.0 | 240 | |
| 519010 | 2 | 10 | 2.4 | 80 | |
| Elbows - PL x PL | | | | | |
| 522004 | 1/2 | 10 | 1.7 | 600 | |
| 522005 | 3/4 | 10 | 1.9 | 350 | |
| 522006 | 1 | 10 | 2.5 | 200 | |
| 522007 | 1-1/4 | 10 | 1.2 | 140 | |
| 522008 | 1-1/2 | 10 | 1.9 | 80 | |
| 522010 | 2 | 5 | 1.5 | 40 | |
| Tees - PL x PL x PL | | | | | |
| 540004 | 1/2 | 10 | 1.9 | 200 | |
| 540005 | 3/4 | 10 | 2.7 | 200 | |
| 540006 | 1 | 5 | 1.8 | 80 | |
| 540007 | 1-1/4 | 5 | 2.6 | 80 | |
| 540008 | 1-1/2 | 5 | 1.8 | 40 | |
| 540010 | 2 | 3 | 2.1 | 24 | |
| Bushings | | | | | |
| 532110 | 1/2 x 1/4 | 25 | .50 | 100 | |
| 532100 | 1 x 1/2 | 25 | .75 | 100 | |
| 532105 | 1-1/4 x 1 | 25 | 1.1 | 100 | |
| 532125 | 1-1/2 x 1-1/4 | 25 | 1.38 | 100 | |
| 532135 | 2 x 1-1/4 | 25 | 1.82 | 100 | |
| 532140 | 2 x 1-1/2 | 25 | 1.63 | 100 | |



INSERT FITTINGS

SERVICE VALVES

GATE VALVES

Features:

- Cast red brass, 125 PSI, non-rising stem



| Part Number | Valve Size (Inches) | Pieces per Box | Pieces per Carton | Approx. Weight per Carton (Lbs.) | List Price Each |
|-------------|---------------------|----------------|-------------------|----------------------------------|-------------------------|
| 961003 | 1/2 IPS | 10 | 120 | 72 | See separate price list |
| 961004 | 3/4 IPS | 10 | 90 | 76 | |
| 961005 | 1 IPS | 5 | 60 | 73 | |
| 961006 | 1-1/4 IPS | 5 | 40 | 74 | |
| 961007 | 1-1/2 IPS | 4 | 32 | 79 | |
| 961008 | 2 IPS | 2 | 20 | 68 | |
| 961009 | 2-1/2 IPS | 1 | 12 | 70 | |
| 961010 | 3 IPS | 1 | 8 | 66 | |
| 961011 | 4 IPS | 1 | 6 | 46 | |

BALL VALVES

Features:

- Cast red brass body rated 200 WOG, 150 SWP
- Full port flow



| Part Number | Valve Size (Inches) | Pieces per Box | Pieces per Carton | Approx. Weight per Carton (Lbs.) | List Price Each |
|-------------|---------------------|----------------|-------------------|----------------------------------|-------------------------|
| 961033 | 1/2 | 10 | 120 | 44 | See separate price list |
| 961034 | 3/4 | 10 | 90 | 48 | |
| 961035 | 1 | 6 | 60 | 57 | |
| 961036 | 1-1/4 | 1 | 36 | 65 | |
| 961037 | 1-1/2 | 1 | 24 | 53 | |
| 961038 | 2 | 1 | 16 | 51 | |

BOILER DRAIN

Features:

- Cast red brass body and brass stem



| Part Number | IPS Valve Size (Inches) | Thread | Pieces per Box | Pieces per Carton | Approx. Weight per Carton (Lbs.) | List Price Each |
|-------------|-------------------------|--------|----------------|-------------------|----------------------------------|-------------------------|
| 961071 | 1/2 | Male | 12 | 144 | 70 | See separate price list |
| 961072 | 3/4 | Male | 12 | 144 | 75 | |

1/4 TURN HOSE BIBB

Features:

- Cast red brass body
- Lead free ($\leq 0.25\%$ lead content)



| Part Number | Valve Size (Inches) | Pieces per Box | Pieces per Carton | Approx. Weight per Carton (Lbs.) | List Price Each |
|-------------|---------------------|----------------|-------------------|----------------------------------|-------------------------|
| 961126 | 1/2 | 12 | 144 | 69 | See separate price list |
| 961128 | 3/4 | 12 | 144 | 76 | |

CHROME PLATED SAMPLE VALVE

Features:

- Chrome plated to minimize contamination of sample
- Standard size to easily install in tank T head
- Meets Wisconsin state code



| Part Number | Thread Size | List Price Each |
|-------------|-------------|-------------------------|
| 961133 | 1/2" | See separate price list |
| 961134 | 3/4" | |

VACUUM BREAKER

Features:

- Brass construction backflow preventer
- Meets codes where necessary
- Break off attachment screw for permanent installation
- Fits hose bibs and boiler drains



| Part Number | Valve Size (Inches) | Pieces per Box | Pieces per Carton | Approx. Weight per Carton (Lbs.) | List Price Each |
|-------------|---------------------|----------------|-------------------|----------------------------------|-------------------------|
| 961150 | 3/4 | 6 | 72 | 18 | See separate price list |

- Note: Lead Free: $\leq .025\%$ Lead Content

PACKERS/SEALS



TRI-SEAL/K-PACKER

Features:

- Provides seal between outside diameter of the screen and inside diameter of well casing
- Manufactured by moulding rubber to outside diameter of a threaded steel coupling

| Part Number | Casing Size | Connection Size | Weight (Lbs.) | List Price Each |
|-------------|-------------|-----------------|---------------|-------------------------|
| 917202 | 2 | 1-1/4 | 1.3 | See separate price list |
| 917204 | 3 | 1-1/4 | 1.3 | |
| 917206 | 3 | 2 | 1.7 | |
| 917208 | 4 | 1-1/4 | 1.02 | |
| 917210 | 4 | 2 | 1.02 | |
| 917212 | 4 | 2-1/2 | 2.25 | |
| 917214 | 4 | 3 | 1.50 | |
| 917216 | 4-1/8 | 3 | 1.50 | |
| 917222 | 5 | 2 | 1.25 | |
| 917224 | 5 | 3 | 2.50 | |
| 917226 | 5 | 4 | 2.50 | |
| 917228 | 5-3/4 | 4 | 3.00 | |
| 917230 | 6 | 3 | 3.75 | |
| 917232 | 6 | 4 | 3.00 | |
| 917234 | 6 | 5 | 3.00 | |
| 917236 | 6-1/4 | 4 | 3.20 | |
| 917240 | 8 | 6 | 7.25 | |



PACKERS/SEALS

SHALE TRAP/FORMATION PACKER

Features:

- Provides collection point seal for material to pack off top of well casing
- Unique rubber design seals against drill hole as lower portion firmly clamps to well casing
- All stainless steel clamp provided

| Part Number | Hole Size | Casing Size | Weight (Lbs.) | List Price Each |
|-------------|-----------|-------------|---------------|-------------------------|
| 917002 | 5 | 2 | .50 | See separate price list |
| 917004 | 6 | 2 | .50 | |
| 917006 | 6 | 3 | .80 | |
| 917008 | 7 | 4 | .80 | |
| 917010 | 8 | 4 | .80 | |
| 917012 | 8 | 4-1/2 | .80 | |
| 917014 | 8 | 5 | 1.1 | |
| 917016 | 9 | 5 | 1.6 | |
| 917018 | 10 | 6 | 1.4 | |
| 917020 | 10 | 6.9 | 1.4 | |



DRAW-DOWN SEALS

Features:

- Prevents contamination and air from entering pump
- Stabilizes and centers pump and riser
- Used to seal eroding wells
- Holes for pump wires and wire sealing plugs provided

| Part Number | Hole Size | Drop Pipe Size | Weight (Lbs.) | List Price Each |
|-------------|-----------|----------------|---------------|-------------------------|
| 935700 | 4 | 1 | .8 | See separate price list |
| 935702 | 4 | 1-1/4 | 1.0 | |
| 935704 | 4 | 1-1/2 | 1.0 | |
| 935706 | 5 | 1 | 1.2 | |
| 935708 | 5 | 1-1/4 | 1.2 | |
| 935710 | 5 | 1-1/2 | 2.0 | |
| 935712 | 5 | 2 | 2.2 | |
| 935714 | 6 | 3 | 3.7 | |



COUPLINGS



434



623



78 PVC



781



GALVANIZED TURNED COUPLINGS

| Part Number | Pipe Size (Inches) | O.D. (Inches) | Length (Inches) | Approx. Weight (Lbs.) | Thread Design | List Price Each |
|-------------|--------------------|---------------|-----------------|-----------------------|---------------|-------------------------|
| 941532 | 1-1/4 | 1-15/16 | 2-1/4 | .5 | Standard | See separate price list |
| 941548 | 1-1/4 | 434J 1-13/16 | 2-1/4 | .5 | Straight | |

TOOL COUPLINGS

Features:

- Couplings made of seamless steel tubing, extra long and heavy
- Specially made for use with well tools and drill rods.(Black only)
- Threaded for standard pipe

| Part Number | Pipe Size (Inches) | O.D. (Inches) | Length (Inches) | Approx. Weight (Lbs.) | Thread Design | List Price Each |
|-------------|--------------------|---------------|-----------------|-----------------------|---------------|-------------------------|
| 941555 | 1 | 1-5/8 | 3-1/2 | 1 | Straight | See separate price list |
| 941567 | 1 | 1-5/8 | 3-1/2 | 1 | Tapered | |

COMPRESSION COUPLINGS - 78

Features:

- Plastic PVC construction

| Part Number | IPS Size (Inches) | Length (Inches) | Pieces per Carton | Carton Weight (Lbs.) | List Price Each |
|-------------|-------------------|-----------------|-------------------|----------------------|-------------------------|
| 941625 | 1/2 | 4 | 25 | 7.1 | See separate price list |
| 941626 | 3/4 | 4-1/4 | 15 | 5.0 | |
| 941627 | 1 | 4-1/2 | 15 | 7.5 | |
| 941628 | 1-1/4 | 5 | 10 | 6.8 | |
| 941629 | 1-1/2 | 5-1/2 | 10 | 8.6 | |
| 941630 | 2 | 6 | 10 | 11.7 | |

SLIP COUPLINGS - 781

Features:

- Galvanized steel construction

| Part Number | Pipe Size (Inches) | Approx. Weight Each (Lbs.) | List Price Each |
|-------------|--------------------|----------------------------|-------------------------|
| 941580 | 1/2 | 0.75 | See separate price list |
| 941581 | 3/4 | 1.0 | |
| 941582 | 1 | 1.25 | |
| 941583 | 1-1/4 | 1.5 | |
| 941584 | 1-1/2 | 2.0 | |
| 941585 | 2 | 2.5 | |

STANDARD MERCHANT COUPLINGS

| Part Number | Nominal Size/Type | Pipe Size O.D. | Coupling O.D. | Length | Threads per Inch | Pieces per Carton | List Price Each |
|-------------|-------------------|----------------|---------------|--------|------------------|-------------------|-------------------------|
| 100404 | 1/2 Galv. | .840 | 1.063 | 1-9/16 | 14 | 100 | See separate price list |
| 100405 | 3/4 Galv. | 1.050 | 1.313 | 1-5/8 | 14 | 50 | |
| 100406 | 1 Galv. | 1.315 | 1.576 | 2 | 11-1/2 | 30 | |
| 100409 | 1-1/4 Galv. | 1.660 | 1.900 | 2-1/16 | 11-1/2 | 25 | |
| 100413 | 1-1/2 Galv. | 1.900 | 2.200 | 2-1/16 | 11-1/2 | 25 | |
| 100422 | 2 Galv. | 2.375 | 2.750 | 2-1/8 | 11-1/2 | 20 | |

WATER WELL REAMED & DRIFTED COUPLINGS - USA MADE

| Part Number | Nominal Size/Type | Pipe Size O.D. | Coupling O.D. | Length | Threads per Inch | Pieces per Carton | List Price Each |
|-------------|-------------------|----------------|---------------|--------|------------------|-------------------|-------------------------|
| 117109 | 1-1/4 Galv. | 1.660 | 1.900 | 2-3/4 | 11-1/2 | 25 | See separate price list |
| 117122 | 2 Galv. | 2.375 | 2.750 | 3-3/8 | 11-1/2 | 15 | |

REAMED AND DRIFTED COUPLINGS

| Part Number | Size (Thread X Thread) | List Price Each |
|-------------|------------------------|-------------------------|
| 100440 | 3" | See separate price list |
| 100449 | 4" | |
| 100458 | 5" | |
| 100467 | 6" | |
| 100476 | 8" | |

• Note: Lead Free: ≤ .025% Lead Content

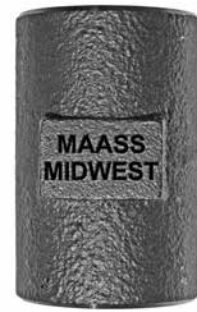
COUPLINGS

STAINLESS STEEL DROP PIPE COUPLING

Features:

- Heavy cast 304 stainless steel
- Threads tapered from both ends
- Flats for easy wrenching

| Part Number | Pipe Size (Inches) | Overall Length (Inches) | Approx. Weight | List Price Each |
|-------------|--------------------|-------------------------|----------------|-------------------------|
| 932086 | 1 | 2-1/2 | .40 | See separate price list |
| 932087 | 1-1/4 | 2-1/2 | .60 | |
| 932088 | 1-1/2 | 2-1/2 | .75 | |
| 932089 | 2 | 2-3/4 | 1.50 | |



PVC DROP PIPE COUPLING

Features:

- Manufactured from special PVC coupling stock
- 25% greater tensile strength than schedule 80 PVC pipe
- Stronger than schedule 120 couplings

| Part Number | Pipe Size (Inches) | Overall Length (Inches) | Standard Pkg. Qty. | Approx. Weight per 100 (Lbs.) | List Price Each |
|-------------|--------------------|-------------------------|--------------------|-------------------------------|-------------------------|
| 932096 | 1 | 2-3/4 | 20 | 19 | See separate price list |
| 932097 | 1-1/4 | 2-3/4 | 20 | 24 | |
| 932098 | 1-1/2 | 2-3/4 | 15 | 25 | |
| 932099 | 2 | 3 | 10 | 34 | |

- To be used in well depths no greater than 400 feet installed according to instructions.
- Sold in package quantities only.



11P

STRAUB GRIP L COUPLINGS

Features:

- Joins all kinds of metal pipe
- Saves time — no welding, flanging or threading required
- Use with all types of piping materials
- EPDM rubber sealing sleeve for all qualities of water, waste water, air, solids and chemical products
- 304 stainless steel case

| Part Number | IPS Size (Inches) | Overall Length (Inches) | Torque Rate Ft. lbs./Nm | Working Pressure | Approx. Weight per 100 (Lbs.) | List Price Each |
|-------------|-------------------|-------------------------|-------------------------|------------------|-------------------------------|-------------------------|
| 941608 | 2 | 3 | 11/15 | 320/22 | 1.2/0.5 | See separate price list |
| 941610 | 2-1/2 | 3-3/4 | 15/20 | 450/31 | 2.7/1.2 | |
| 941612 | 3 | 3-3/4 | 15/20 | 450/31 | 2.6/1.2 | |
| 941614 | 4 | 3-3/4 | 18/25 | 232/16 | 3.2/1.5 | |
| 941615 | 5 | 3-3/4 | 30/40 | 232/16 | 5.7/2.6 | |
| 941616 | 6 | 4-3/8 | 30/40 | 232/16 | 6.4/2.9 | |
| 941617 | 8 | 5-1/2 | 45/60 | 232/16 | 13.0/5.9 | |
| 941618 | 10 | 5-1/2 | 37/50 | 100/7 | 12.7/5.8 | |



JX1 SERIES FULL WELD COUPLING

Features:

- Used with JX1 Pitless threaded unit to steel casing
- Weld X female NPT thread

| Part Number | Model Number | List Price Each |
|-------------|--------------|-------------------------|
| 929100 | 4" FWC | See separate price list |
| 929200 | 5" FWC | |
| 929300 | 6" FWC | |
| 929400 | 8" FWC | |
| 929450 | 10" FWC | |



WELD-ON COUPLINGS WITH CENTER STOP

| Part Number | Size (Weld X Weld) | List Price Each |
|-------------|--------------------|-------------------------|
| 941500 | 4" | See separate price list |
| 941505 | 5" | |
| 941510 | 6" | |



COUPLINGS



541 PITLESS CONNECTOR

Features:

- Slip type compression coupling for threading on male end of pitless adapter
- Rubber compression end slips over well pipe
- Offers watertight, secure connection

| Part Number | Description | List Price Each |
|-------------|--------------------------------|-------------------------|
| 932043 | 5" female NPT X 4" compression | See separate price list |



STANDPIPE ADAPTER COUPLING

Features:

- Allows use of standard pitless adapter with 4" casing
- Easy to install
- Durable, watertight construction
- For upgrading 4" wells

| Part Number | Model | I.D. Casing Size (In.) | O.D. Casing Size (In.) | Ring I.D. (Inches) | Shipping Weight (Lbs.) | List Price Each |
|-------------|--------|------------------------|------------------------|--------------------|------------------------|-------------------------|
| 952190 | SA-4-5 | 5 Top 4 Bottom | 5-9/16 4-1/2 | 5-11/16 4-11/16 | 17 | See separate price list |

PVC COUPLINGS, SPIGOTS AND ADAPTERS

Features:

- Meets ASTM F-480 standards for tapered socket or bell end pipe



| Part Number | Model Number | Description | List Price Each |
|-------------|---------------|----------------------------------|-------------------------|
| 941802 | COUP44L | 4 X 4 Long Coupling | See separate price list |
| 941804 | COUP44LTRND | 4 X 4 Coupling Turned | |
| 941806 | COUP54R | 5 X 4 Red Coup Bell X Bell | |
| 941808 | COUP54SP | 5 X 4 Spigot Coupling | |
| 941810 | COUP54SPWTHD | 5 X 4 Spigot with 4" NPTTHD | |
| 941812 | COUP55L | 5 X 5 Long Coupling | |
| 941814 | COUP65 | 6 X 5 PVC Coupling | |
| 941818 | COUP65SP | 6 X 5 Spigot Coupling | |
| 941820 | COUP66L | 6 X 6 Bell X Bell Long Coupling | |
| 941822 | COUP6.255WTHD | 6-1/4 X 5 Male NPT Coupling | |
| 941824 | COUP6.25R | 6-1/4 Bell X 6 Bell Red Coupling | |
| 941826 | COUP6.25RWTHD | 6-1/4 Bell X Bell Long Coupling | |
| 941828 | COUP45.L | 4-1/2 X 1-1/4 Long Coupling | |

ROUGH BRASS THREADED FITTINGS

ROUGH BRASS THREADED FITTINGS

Features:

- 125 lbs. Steam
- 175 lbs. WOG
- Red Brass
- Lead Free: ≤ .025% Lead Content



| Part Number | Description | Quantity per Box | Weight per Box (Lbs.) | List Price Each |
|-------------|---------------|------------------|-----------------------|-------------------------|
| 551002 | 1/4 45° Ell | 25 | 2.0 | See separate price list |
| 551003 | 3/8 45° Ell | 25 | 3.3 | |
| 551004 | 1/2 45° Ell | 25 | 5.0 | |
| 551005 | 3/4 45° Ell | 25 | 7.0 | |
| 551006 | 1 45° Ell | 25 | 12.8 | |
| 551007 | 1-1/4 45° Ell | 10 | 7.5 | |
| 551008 | 1-1/2 45° Ell | 10 | 9.5 | |
| 551010 | 2 45° Ell | 5 | 8.7 | |



| Part Number | Description | Quantity per Box | Weight per Box (Lbs.) | List Price Each |
|-------------|-----------------------|------------------|-----------------------|-------------------------|
| 552002 | 1/4 90° Ell | 25 | 2.5 | See separate price list |
| 552003 | 3/8 90° Ell | 25 | 3.3 | |
| 552004 | 1/2 90° Ell | 25 | 5.0 | |
| 552005 | 3/4 90° Ell | 25 | 8.0 | |
| 552006 | 1 90° Ell | 25 | 5.8 | |
| 552007 | 1-1/4 90° Ell | 10 | 9.1 | |
| 552008 | 1-1/2 90° Ell | 5 | 5.75 | |
| 552010 | 2 90° Ell | 5 | 9.75 | |
| 552074 | 3/4 x 1/2 90° Ell | 25 | 8.0 | |
| 552089 | 1 x 3/4 90° Ell | 25 | 10.25 | |
| 552104 | 1-1/4 x 1 90° Ell | 10 | 8.0 | |
| 552120 | 1-1/2 x 1-1/4 90° Ell | 5 | 5.0 | |

COUPLINGS/ROUGH BRASS THREADED FITTINGS

ROUGH BRASS THREADED FITTINGS

ROUGH BRASS THREADED FITTINGS

Features:

- 125 lbs. Steam
- 175 lbs. WOG
- Red Brass
- Lead Free: ≤ .025% Lead Content

| Part Number | Description | Quantity per Box | Weight per Box (Lbs.) | List Price Each |
|-------------|------------------|------------------|-----------------------|-------------------------|
| 553002 | 1/4 90° St Ell | 25 | 2.15 | See separate price list |
| 553003 | 3/8 90° St Ell | 25 | 3.75 | |
| 553004 | 1/2 90° St Ell | 25 | 4.0 | |
| 553005 | 3/4 90° St Ell | 25 | 9.0 | |
| 553006 | 1 90° St Ell | 10 | 5.6 | |
| 553007 | 1-1/4 90° St Ell | 10 | 8.6 | |
| 553008 | 1-1/2 90° St Ell | 10 | 11.50 | |
| 553010 | 2 90° St Ell | 5 | 8.25 | |

| Part Number | Description | Quantity per Box | Weight per Box (Lbs.) | List Price Each |
|-------------|------------------|------------------|-----------------------|-------------------------|
| 562002 | 1/4 45° St Ell | 25 | 1.8 | See separate price list |
| 562004 | 1/2 45° St Ell | 25 | 5.0 | |
| 562005 | 3/4 45° St Ell | 25 | 7.0 | |
| 562006 | 1 45° St Ell | 10 | 4.4 | |
| 562007 | 1-1/4 45° St Ell | 5 | 3.4 | |
| 562010 | 2 45° St Ell | Bulk | 1.4 | |

| Part Number | Description | Quantity per Box | Weight per Box (Lbs.) | List Price Each |
|-------------|-------------|------------------|-----------------------|-------------------------|
| 554002 | 1/4 Tee | 25 | 3.0 | See separate price list |
| 554003 | 3/8 Tee | 25 | 5.3 | |
| 554004 | 1/2 Tee | 25 | 7.5 | |
| 554005 | 3/4 Tee | 25 | 12.0 | |
| 554006 | 1 Tee | 10 | 8.0 | |
| 554007 | 1-1/4 Tee | 5 | 5.8 | |
| 554008 | 1-1/2 Tee | 5 | 7.9 | |
| 554010 | 2 Tee | 3 | 6.6 | |

| Part Number | Description | Quantity per Box | Weight per Box (Lbs.) | List Price Each |
|-------------|-------------------------|------------------|-----------------------|-------------------------|
| 554273 | 3/4 x 1/2 x 1/2 Tee | 25 | 3.5 | See separate price list |
| 554274 | 3/4 x 1/2 x 3/4 Tee | 10 | 4.0 | |
| 554281 | 3/4 x 3/4 x 1/2 Tee | 10 | 4.3 | |
| 554304 | 1 x 1/2 x 1 Tee | 10 | 6.0 | |
| 554308 | 1 x 3/4 x 3/4 Tee | 10 | 5.5 | |
| 554309 | 1 x 3/4 x 1 Tee | 10 | 6.5 | |
| 554315 | 1 x 1 x 1/2 Tee | 10 | 6.0 | |
| 554316 | 1 x 1 x 3/4 Tee | 10 | 7.0 | |
| 554366 | 1-1/4 x 1-1/4 x 1 Tee | 5 | 5.0 | |
| 554365 | 1-1/4 x 1-1/4 x 3/4 Tee | 10 | 8.5 | |
| 554401 | 1-1/2 x 1 x 1 Tee | 5 | 5.5 | |
| 554423 | 1-1/2 x 1-1/2 x 1 Tee | 5 | 6.5 | |
| 554476 | 2 x 2 x 3/4 Tee | 5 | 8.0 | |
| 554477 | 2 x 2 x 1 Tee | Bulk | 1.8 | |

| Part Number | Description | Quantity per Box | Weight per Box (Lbs.) | List Price Each |
|-------------|----------------|------------------|-----------------------|-------------------------|
| 550001 | 1/8 Coupling | 25 | 1.0 | See separate price list |
| 550002 | 1/4 Coupling | 25 | 2.3 | |
| 550003 | 3/8 Coupling | 25 | 3.0 | |
| 550004 | 1/2 Coupling | 25 | 6.2 | |
| 550005 | 3/4 Coupling | 25 | 7.0 | |
| 550006 | 1 Coupling | 25 | 10.8 | |
| 550007 | 1-1/4 Coupling | 10 | 6.2 | |
| 550008 | 1-1/2 Coupling | 10 | 8.0 | |
| 550010 | 2 Coupling | 5 | 6.2 | |

| Part Number | Description | Quantity per Box | Weight per Box (Lbs.) | List Price Each |
|-------------|--------------------------------|------------------|-----------------------|-------------------------|
| 550041 | 1/4 x 1/8 Reducer Coupling | 25 | 2.0 | See separate price list |
| 550061 | 1/2 x 1/4 Reducer Coupling | 25 | 3.7 | |
| 550072 | 3/4 x 1/4 Reducer Coupling | 25 | 5.0 | |
| 550074 | 3/4 x 1/2 Reducer Coupling | 25 | 6.0 | |
| 550088 | 1 x 1/2 Reducer Coupling | 25 | 8.0 | |
| 550089 | 1 x 3/4 Reducer Coupling | 25 | 8.5 | |
| 550105 | 1-1/4 x 1 Reducer Coupling | 10 | 6.0 | |
| 550118 | 1-1/2 x 3/4 Reducer Coupling | 10 | 6.5 | |
| 550119 | 1-1/2 x 1 Reducer Coupling | 10 | 6.0 | |
| 550120 | 1-1/2 x 1-1/4 Reducer Coupling | 10 | 7.4 | |
| 550132 | 2 x 3/4 Reducer Coupling | 10 | 8.5 | |
| 550133 | 2 x 1 Reducer Coupling | 10 | 10.0 | |
| 550134 | 2 x 1-1/4 Reducer Coupling | 10 | 10.5 | |
| 550135 | 2 x 1-1/2 Reducer Coupling | 5 | 5.2 | |



ROUGH BRASS
THREADED FITTINGS

ROUGH BRASS THREADED FITTINGS

ROUGH BRASS THREADED FITTINGS

Features:

- 125 lbs. Steam
- 175 lbs. WOG
- Red Brass
- Lead Free: ≤ .025% Lead Content



| Part Number | Description | Quantity per Box | Weight per Box (Lbs.) | List Price Each |
|-------------|-------------|------------------|-----------------------|-------------------------|
| 560001 | 1/8 Solid | 25 | 0.3 | See separate price list |
| 560002 | 1/4 Solid | 25 | 0.8 | |
| 560003 | 3/8 Solid | 25 | 1.3 | |
| 555004 | 1/2 Plug | 25 | 2.5 | |
| 555005 | 3/4 Plug | 25 | 3.0 | |
| 555006 | 1 Plug | 25 | 5.8 | |
| 555007 | 1-1/4 Plug | 25 | 9.8 | |
| 555008 | 1-1/2 Plug | 25 | 10.3 | |
| 555010 | 2 Plug | 10 | 6.4 | |



| Part Number | Description | Quantity per Box | Weight per Box (Lbs.) | List Price Each |
|-------------|-------------|------------------|-----------------------|-------------------------|
| 556001 | 1/8 Cap | 25 | 1.0 | See separate price list |
| 556002 | 1/4 Cap | 25 | 1.2 | |
| 556004 | 1/2 Cap | 25 | 3.0 | |
| 556005 | 3/4 Cap | 25 | 4.3 | |
| 556006 | 1 Cap | 25 | 7.3 | |
| 556007 | 1-1/4 Cap | 25 | 11.2 | |
| 556010 | 2 Cap | 10 | 11.0 | |



| Part Number | Description | Quantity per Box | Weight per Box (Lbs.) | List Price Each |
|-------------|---------------------------|------------------|-----------------------|-------------------------|
| 557041 | 1/4 x 1/8 Hex Bushing | 25 | 0.5 | See separate price list |
| 557049 | 3/8 x 1/4 Hex Bushing | 25 | 1.0 | |
| 557060 | 1/2 x 1/8 Hex Bushing | 25 | 2.5 | |
| 557061 | 1/2 x 1/4 Hex Bushing | 25 | 2.3 | |
| 557062 | 1/2 x 3/8 Hex Bushing | 25 | 1.5 | |
| 557072 | 3/4 x 1/4 Hex Bushing | 25 | 3.8 | |
| 557073 | 3/4 x 3/8 Hex Bushing | 25 | 5.0 | |
| 557074 | 3/4 x 1/2 Hex Bushing | 25 | 2.5 | |
| 557086 | 1 x 1/4 Hex Bushing | 25 | 5.5 | |
| 557087 | 1 x 3/8 Hex Bushing | 25 | 5.5 | |
| 557088 | 1 x 1/2 Hex Bushing | 25 | 5.5 | |
| 557089 | 1 x 3/4 Hex Bushing | 25 | 5.0 | |
| 557103 | 1-1/4 x 1/2 Hex Bushing | 25 | 10.0 | |
| 557104 | 1-1/4 x 3/4 Hex Bushing | 25 | 9.5 | |
| 557105 | 1-1/4 x 1 Hex Bushing | 25 | 7.8 | |
| 557118 | 1-1/2 x 3/4 Hex Bushing | 25 | 12.5 | |
| 557119 | 1 1/2 x 1 Hex Bushing | 25 | 12.8 | |
| 557120 | 1-1/2 x 1-1/4 Hex Bushing | 25 | 9.3 | |
| 557131 | 2 x 1/2 Hex Bushing | 10 | 10.0 | |
| 557132 | 2 x 3/4 Hex Bushing | 10 | 9.5 | |
| 557133 | 2 x 1 Hex Bushing | 10 | 9.0 | |
| 557134 | 2 x 1-1/4 Hex Bushing | 10 | 7.5 | |
| 557135 | 2 x 1-1/2 Hex Bushing | 10 | 6.5 | |



| Part Number | Description | Quantity per Box | Weight per Box (Lbs.) | List Price Each |
|-------------|-------------|------------------|-----------------------|-------------------------|
| 558002 | 1/4 Union | 25 | 3.7 | See separate price list |
| 558004 | 1/2 Union | 25 | 8.7 | |
| 558005 | 3/4 Union | 25 | 12.5 | |
| 558006 | 1 Union | 10 | 7.5 | |
| 558007 | 1-1/4 Union | 5 | 7.0 | |
| 558008 | 1-1/2 Union | 5 | 7.8 | |
| 558010 | 2 Union | Bulk | 2.2 | |

ROUGH BRASS THREADED FITTINGS

RED BRASS NIPPLES

Features:

- Lead Free: ≤ .025% Lead Content

| Part Number | Description | Quantity per Box | Weight per Box (Lbs.) | List Price Each | |
|-------------|---------------|------------------|-----------------------|-------------------------|--|
| 270051 | 1/4 x Close | 25 | 0.5 | | |
| 270052 | 1/4 x 1-1/2 | 25 | 1.2 | | |
| 270053 | 1/4 x 2 | 25 | 1.5 | | |
| 270054 | 1/4 x 2-1/2 | 25 | 2.0 | | |
| 270055 | 1/4 x 3 | 25 | 2.5 | | |
| 270056 | 1/4 x 3-1/2 | 25 | 3.0 | | |
| 270057 | 1/4 x 4 | 25 | 3.3 | | |
| 270058 | 1/4 x 4-1/2 | 25 | 4.0 | | |
| 270059 | 1/4 x 5 | 25 | 4.3 | | |
| 270060 | 1/4 x 5-1/2 | 25 | 5.0 | | |
| 270061 | 1/4 x 6 | 25 | 5.0 | | |
| 270126 | 3/8 x Close | 25 | 1.0 | | |
| 270128 | 3/8 x 2 | 25 | 2.0 | | |
| 270130 | 3/8 x 3 | 25 | 3.3 | | |
| 270132 | 3/8 x 4 | 25 | 4.5 | | |
| 270134 | 3/8 x 5 | 25 | 5.5 | | |
| 270136 | 3/8 x 6 | 25 | 6.8 | | |
| 270201 | 1/2 x Close | 25 | 1.3 | | |
| 270202 | 1/2 x 1-1/2 | 25 | 2.1 | | |
| 270203 | 1/2 x 2 | 25 | 2.8 | | |
| 270204 | 1/2 x 2-1/2 | 25 | 4.0 | | |
| 270205 | 1/2 x 3 | 25 | 4.5 | | |
| 270206 | 1/2 x 3 1/2 | 25 | 5.6 | | |
| 270207 | 1/2 x 4 | 25 | 6.3 | | |
| 270208 | 1/2 x 4-1/2 | 25 | 7.4 | | |
| 270209 | 1/2 x 5 | 25 | 8.0 | | |
| 270210 | 1/2 x 5-1/2 | 25 | 9.3 | | |
| 270211 | 1/2 x 6 | 25 | 10.0 | | |
| 270301 | 3/4 x Close | 25 | 2.3 | | |
| 270302 | 3/4 x 1-1/2 | 25 | 2.9 | | |
| 270303 | 3/4 x 2 | 25 | 4.0 | | |
| 270304 | 3/4 x 2-1/2 | 25 | 5.4 | | |
| 270305 | 3/4 x 3 | 25 | 5.6 | | |
| 270306 | 3/4 x 3-1/2 | 25 | 7.7 | | |
| 270307 | 3/4 x 4 | 25 | 8.9 | | |
| 270308 | 3/4 x 4-1/2 | 25 | 9.8 | | |
| 270309 | 3/4 x 5 | 25 | 11.0 | | |
| 270310 | 3/4 x 5-1/2 | 25 | 12.0 | | |
| 270311 | 3/4 x 6 | 25 | 13.3 | | |
| 270401 | 1 x Close | 25 | 3.9 | See separate price list | |
| 270402 | 1 x 2 | 25 | 5.8 | | |
| 270403 | 1 x 2-1/2 | 25 | 7.4 | | |
| 270404 | 1 x 3 | 25 | 9.2 | | |
| 270405 | 1 x 3-1/2 | 25 | 10.8 | | |
| 270406 | 1 x 4 | 25 | 12.5 | | |
| 270407 | 1 x 4-1/2 | 25 | 14.3 | | |
| 270408 | 1 x 5 | 25 | 16.3 | | |
| 270410 | 1 x 6 | 25 | 19.8 | | |
| 270501 | 1-1/4 x Close | 10 | 2.4 | | |
| 270502 | 1-1/4 x 2 | 10 | 3.6 | | |
| 270503 | 1-1/4 x 2-1/2 | 10 | 4.5 | | |
| 270504 | 1-1/4 x 3 | 10 | 5.6 | | |
| 270505 | 1-1/4 x 3-1/2 | 10 | 6.8 | | |
| 270506 | 1-1/4 x 4 | 10 | 8.1 | | |
| 270507 | 1-1/4 x 4-1/2 | 10 | 9.2 | | |
| 270508 | 1-1/4 x 5 | 10 | 9.8 | | |
| 270509 | 1-1/4 x 5 1/2 | 10 | 11.0 | | |
| 270510 | 1-1/4 x 6 | 10 | 12.5 | | |
| 270551 | 1-1/2 x Close | 10 | 3.5 | | |
| 270552 | 1-1/2 x 2 | 10 | 4.2 | | |
| 270553 | 1-1/2 x 2-1/2 | 10 | 5.5 | | |
| 270554 | 1-1/2 x 3 | 10 | 6.7 | | |
| 270555 | 1-1/2 x 3-1/2 | 10 | 8.1 | | |
| 270556 | 1-1/2 x 4 | 10 | 9.5 | | |
| 270557 | 1-1/2 x 4-1/2 | 10 | 10.8 | | |
| 270558 | 1-1/2 x 5 | 10 | 12.1 | | |
| 270559 | 1-1/2 x 5-1/2 | 10 | 13.1 | | |
| 270560 | 1-1/2 x 6 | 10 | 14.4 | | |
| 270601 | 2 x Close | 10 | 5.4 | | |
| 270602 | 2 x 2-1/2 | 10 | 7.2 | | |
| 270603 | 2 x 3 | 10 | 8.8 | | |
| 270604 | 2 x 3-1/2 | 10 | 10.7 | | |
| 270605 | 2 x 4 | 10 | 12.5 | | |
| 270606 | 2 x 4-1/2 | 10 | 14.3 | | |
| 270607 | 2 x 5 | 10 | 15.5 | | |
| 270608 | 2 x 5-1/2 | 10 | 17.9 | | |
| 270609 | 2 x 6 | 10 | 19.0 | | |
| 270617 | 2 x 10 | 10 | 31.0 | | |
| 270621 | 2 x 12 | 10 | 38.0 | | |



RED BRASS NIPPLES

Note: Other sizes available upon request

PVC NIPPLES

Features:

- Schedule 40
- Lead Free: ≤ .025% Lead Content



| Part Number | Size (Inches) I.D. X Length | Weight Each | List Price Each |
|-------------|--------------------------------|-------------|-------------------------|
| 284312-PE | 3" X 12" S40 NIPPLE NPT x PE | 1.6 | See separate price list |
| 284312-NPT | 3" X 12" S40 NIPPLE NPT x NPT | 1.6 | |
| 284312-Plg | 3" X 12" S40 NIPPLE NPT x Plug | 1.6 | |
| 284318-PE | 3" X 18" S40 NIPPLE NPT x PE | 2.5 | |
| 284318-NPT | 3" X 18" S40 NIPPLE NPT x NPT | 2.5 | |
| 284318-Plg | 3" X 18" S40 NIPPLE NPT x Plug | 2.5 | |
| 284324-PE | 3" X 24" S40 NIPPLE NPT x PE | 3.3 | |
| 284324-NPT | 3" X 24" S40 NIPPLE NPT x NPT | 3.3 | |
| 284324-Plg | 3" X 24" S40 NIPPLE NPT x Plug | 3.3 | |
| 284412-PE | 4" X 12" S40 NIPPLE NPT x PE | 2.4 | |
| 284412-NPT | 4" X 12" S40 NIPPLE NPT x NPT | 2.4 | |
| 284412-Plg | 4" X 12" S40 NIPPLE NPT x Plug | 2.4 | |
| 284418-PE | 4" X 18" S40 NIPPLE NPT x PE | 3.5 | |
| 284418-NPT | 4" X 18" S40 NIPPLE NPT x NPT | 3.5 | |
| 284418-Plg | 4" X 18" S40 NIPPLE NPT x Plug | 3.5 | |
| 284424-PE | 4" X 24" S40 NIPPLE NPT x PE | 4.7 | |
| 284424-NPT | 4" X 24" S40 NIPPLE NPT x NPT | 4.7 | |
| 284424-Plg | 4" X 24" S40 NIPPLE NPT x Plug | 4.7 | |

Features:

- Schedule 80
- Lead Free: ≤ .025% Lead Content

| Part Number | Size (Inches) I.D. X Length | Weight Each | List Price Each |
|-------------|--------------------------------|-------------|-------------------------|
| 288312-PE | 3" X 12" S80 NIPPLE NPT x PE | 2.2 | See separate price list |
| 288312-NPT | 3" X 12" S80 NIPPLE NPT x NPT | 2.2 | |
| 288312-Plg | 3" X 12" S80 NIPPLE NPT x Plug | 2.2 | |
| 288318-PE | 3" X 18" S80 NIPPLE NPT x PE | 3.4 | |
| 288318-NPT | 3" X 18" S80 NIPPLE NPT x NPT | 3.4 | |
| 288318-Plg | 3" X 18" S80 NIPPLE NPT x Plug | 3.4 | |
| 288324-PE | 3" X 24" S80 NIPPLE NPT x PE | 4.5 | |
| 288324-NPT | 3" X 24" S80 NIPPLE NPT x NPT | 4.5 | |
| 288324-Plg | 3" X 24" S80 NIPPLE NPT x Plug | 4.5 | |
| 288412-PE | 4" X 12" S80 NIPPLE NPT x PE | 3.3 | |
| 288412-NPT | 4" X 12" S80 NIPPLE NPT x NPT | 3.3 | |
| 288412-Plg | 4" X 12" S80 NIPPLE NPT x Plug | 3.3 | |
| 288418-PE | 4" X 18" S80 NIPPLE NPT x PE | 4.9 | |
| 288418-NPT | 4" X 18" S80 NIPPLE NPT x NPT | 4.9 | |
| 288418-Plg | 4" X 18" S80 NIPPLE NPT x Plug | 4.9 | |
| 288424-PE | 4" X 24" S80 NIPPLE NPT x PE | 6.5 | |
| 288424-NPT | 4" X 24" S80 NIPPLE NPT x NPT | 6.5 | |

PVC NIPPLES
DRIVE SHOES

DRIVE SHOES

421 DRIVE SHOES

Features:

- 1/2 of shoe heat treated to 48-54 Rockwell "C" - hardness tested
- Highest quality seamless steel tube (to A.P.I. specs)
- Concentric machining assures straight setting in well
- Inside bevel on cable styled shoes radiused to allow drilling tools to be easily pulled back through shoe
- Zinc phosphate coated and painted to enhance appearance and corrosion-resistance
- Lead Free: ≤ .025% Lead Content



Cable Tool Style - Threaded - Model 421T

| Part Number | Casing Nominal | Casing O.D. | Shoe O.D. | Shoe I.D. | Shoe Length | Thread Type | List Price Each |
|-------------|----------------|-------------|-----------|-----------|-------------|-------------|-------------------------|
| 941274 | 2 | 2-3/8 | 2.875 | 2-3/32 | 3 | 11-1/2 NPS | See separate price list |
| 941285 | 4 | 4-1/2 | 5.000 | 4-1/16 | 4 | 8 NPS | |
| 941289 | 6 | 6-5/8 | 7.390 | 6-5/32 | 5-1/2 | 8 NPS | |

Cable Tool Style - Weld On - Model 421W

| Part Number | Casing Nominal | Casing O.D. | Shoe O.D. | Shoe I.D. | Shoe Length | Thread Type | List Price Each |
|-------------|----------------|-------------|-----------|-----------|-------------|-------------|-------------------------|
| 941316 | 3 | 3-1/2 | 4.000 | 3-1/8 | 3-3/4 | - | See separate price list |
| 941318 | 4 | 4-1/2 | 5.000 | 4-1/16 | 4 | - | |
| 941320 | 5 | 5-9/16 | 6.050 | 6-3/16 | 4-1/2 | - | |
| 941322 | 6 | 6-5/8 | 7.390 | 6-5/32 | 5-1/2 | - | |
| 941370 | 6-1/4 | 6-5/8 | 7.390 | 6-9/32 | 5-1/2 | - | |
| 941325 | 8 | 8-5/8 | 9.625 | 8-1/8 | 8 | - | |
| 941328 | 10 | 10-3/4 | 11.750 | 10-1/4 | 10 | - | |
| 941331 | 12 | 12-3/4 | 14.000 | 12-5/32 | 12 | - | |
| 941450 | 14 | 14 | 15.000 | 13-1/8 | 12 | - | |
| 941405 | 6 | 6-5/8 | 7.390 | 6-5/32 | 4 (midget) | - | |

• 16" through 24" shoes available

DRIVE SHOES

421 DRIVE SHOES

Features:

- 1/2 of shoe heat treated to 48-54 Rockwell "C" - hardness tested
- Highest quality seamless steel tube (to A.P.I. specs)
- Concentric machining assures straight setting in well
- Inside bevel on cable styled shoes radiused to allow drilling tools to be easily pulled back through shoe
- Zinc phosphate coated and painted to enhance appearance and corrosion-resistance
- Lead Free: ≤ .025% Lead Content



Rotary Style - Threaded - Model 421RT

| Part Number | Casing Nominal | Casing O.D. | Shoe O.D. | Shoe I.D. | Shoe Length | Thread Type | List Price Each |
|-------------|----------------|-------------|-----------|-----------|-------------|-------------|-------------------------|
| 941378 | 2 | 2-3/8 | 2.875 | 2-3/32 | 3 | 11-1/2 NPS | See separate price list |
| 941383 | 4 | 4-1/2 | 5.000 | 4-1/16 | 4-1/2 | 8 NPS | |
| 941385 | 5 | 5-9/16 | 6.050 | 5-3/16 | 4-1/2 | 8 NPS | |
| 941388 | 6 | 6-5/8 | 7.390 | 6-5/32 | 5-1/2 | 8 NPS | |
| 941403 | 6 | 6-5/8 | 7.390 | 6-5/32 | 4 (midget) | 8 NPS | |

Rotary Style - Weld On - Model 421RW

| Part Number | Casing Nominal | Casing O.D. | Shoe O.D. | Shoe I.D. | Shoe Length | Thread Type | List Price Each |
|-------------|----------------|-------------|-----------|-----------|-------------|-------------|-------------------------|
| 941393 | 4 | 4-1/2 | 5.000 | 4-1/16 | 4 | - | See separate price list |
| 941394 | 5 | 5-9/16 | 6.050 | 5-3/16 | 4 1/2 | - | |
| 941391 | 6 | 6-5/8 | 7.390 | 6-5/32 | 5 1/2 | - | |
| 941400 | 6-1/4 | 6-5/8 | 7.390 | 6-9/32 | 6 | - | |
| 941407 | 6 | 6-5/8 | 7.390 | 6-5/32 | 4(midget) | - | |
| 941389 | 8 | 8-5/8 | 9.625 | 8-1/8 | 8 | - | |

Note: Contact factory for other sizes and availability.

DUAL ROTARY RING DRIVE SHOES

Features:

- Precision machined from domestic 4140 high alloy material, heat treated to high of 36RC
- Tungston carbide inserts press fit into the outside of shoe, improving hole cleaning and rate of penetration
- Milled pockets provide relief from residual stresses
- High stress areas are hard welded to 65RC to improve durability
- Manufactured in North America
- Available in 3" through 18" sizes



| Part Number | Casing/Pipe Size (Inches) | Casing/Pipe Size (O.D.) | Weight (Lbs.) | List Price Each |
|---|---------------------------|-------------------------|---------------|-------------------------|
| 941200 | 3* | 3.5 | 3.5 | See separate price list |
| 941202 | 3.5* | 4 | 3.7 | |
| 941204 | 4* | 4.5 | 4.2 | |
| 941206 | 4.5* | 5 | 4.4 | |
| 941208 | 5* | 5.56 | 5 | |
| *Bit O.D. is approximately 5/8" larger than pipe O.D. for 3" - 5". Tungston Carbide buttons are 5/16" diameter for 3" - 6" pipes. | | | | |
| 941210 | 6** | 6.625 | 6 | |
| 941214 | 8** | 8.625 | 7.5 | |
| 941218 | 10** | 10.75 | 9 | |
| ** Bit O.D. is approximately 3/4" larger than pipe O.D. for 6"-10". Tungsten Carbide buttons are 5/16" diameter for 8"-10" pipes. | | | | |
| 941222 | 12*** | 12.75 | 13 | |
| 941224 | 14*** | 14 | 16 | |
| 941226 | 16*** | 16 | 23 | |
| 941228 | 18*** | 18 | 26 | |
| *** Bit O.D. is approximately 1" larger than pipe O.D. for 12"-14". Tungsten Carbide buttons are 7/16" diameter for 16"-18" pipes | | | | |

ECONOMY ROTARY RING DRIVE SHOES

Features:

- Machined of carbon steel
- Heat treated to 48-52 Rockwell C
- Induction hardened
- Manufactured in North America

| Part Number | Casing/Pipe Size (Inches) | Casing/Pipe Size (O.D.) | Number of Buttons | Weight (Lbs.) | List Price Each |
|-------------|---------------------------|-------------------------|-------------------|---------------|-------------------------|
| 941236 | 6 | 6.625" | 14 | 5 | See separate price list |
| 941240 | 8 | 8.625" | 18 | 9 | |
| 941244 | 10 | 10.75" | 22 | 11 | |
| 941248 | 12 | 12.75" | 28 | 12 | |
| 941252 | 14 | 14" | 32 | 13 | |
| 941256 | 16 | 16" | 36 | 15 | |
| 941260 | 18 | 18" | 40 | 17 | |
| 941264 | 20 | 20" | 46 | 18 | |
| 941268 | 24 | 24" | 54 | 22 | |



TUBULAR VALVES



460

460 PLUNGER

Features:

- 2" and 2 1/2" tapped 3/8" NPT
- 3" and 4" tapped 1/2" NPT
- Utilizes (2) 711 cup leathers

| Part Number | Well Size (Inches) | Description | Weight (Lbs.) | List Price Each |
|-------------|--------------------|-------------------|---------------|-------------------------|
| 922492 | 2 | 460 Plunger Valve | 1.3 | See separate price list |
| 922495 | 2-1/2 | 460 Plunger Valve | 2.3 | |
| 922498 | 3 | 460 Plunger Valve | 3.0 | |
| 922501 | 4 | 460 Plunger Valve | 6.6 | |



461

461 CHECK

Features:

- Ideal for well pumping and well development

| Part Number | Well Size (Inches) | Description | Weight (Lbs.) | List Price Each |
|-------------|--------------------|-----------------|---------------|-------------------------|
| 922381 | 2 | 461 Check Valve | 1.3 | See separate price list |
| 922384 | 2-1/2 | 461 Check Valve | 2.1 | |
| 922387 | 3 | 461 Check Valve | 3.0 | |
| 922390 | 4 | 461 Check Valve | 6.6 | |



479

479 BREMER CHECK

| Part Number | Well Size (Inches) | Description | Weight (Lbs.) | List Price Each |
|-------------|--------------------|------------------|---------------|-------------------------|
| 922429 | 2 | 479 Bremer Check | 1.3 | See separate price list |
| 922432 | 2-1/2 | 479 Bremer Check | 2.0 | |
| 922435 | 3 | 479 Bremer Check | 3.3 | |

BRASS CYLINDERS



442

442 CYLINDER

Features:

- Most popular closed top deep well cylinder
- Barrel made of seamless brass tubing; caps and valves are all brass
- Cylinder furnished with gravity poppets
- More suitable for sandy wells than spring loaded valves
- Recommended for small diameter wells where high capacity is desired
- Strokes listed allow a clearance of 3 inches
- Plungers are all brass, plain poppet, with two 711 cup leathers; the check poppet is fitted with a rubber facing.
- Standard wall thickness .095 except 3" cylinder which is .128

| Part Number | Inside Diameter & Stroke (Inches) | Barrel Length (Inches) | Length Overall (Inches) | Caps Tapped Pipe Size (Inches) | Size Rod in Plunger (Inches) | Smallest Well Cylinder Will Enter (Inches) | Capacity per Stroke (U.S. Gals.) | 711 Cup Leather Hole (Inches) | Approx. Wt. Ea. (Lbs.) | List Price Each |
|-------------|-----------------------------------|------------------------|-------------------------|--------------------------------|------------------------------|--|----------------------------------|-------------------------------|------------------------|-------------------------|
| 920827 | 1-11/16 x 8 | 16 | 18 | 1 | 7/16 | 2 | .080 | 1 | 4.0 | See separate price list |
| 920830 | 1-11/16 x 10 | 18 | 20 | 1 | 7/16 | 2 | .100 | 1 | 4.5 | |
| 920833 | 1-11/16 x 12 | 20 | 22 | 1 | 7/16 | 2 | .120 | 1 | 5.5 | |
| 920842 | 1-13/16 x 8 | 16 | 18 | 1 | 7/16 | 2 | .089 | 1-3/16 | 4.6 | |
| 920845 | 1-13/16 x 10 | 18 | 20 | 1 | 7/16 | 2 | .118 | 1-3/16 | 4.9 | |
| 920848 | 1-13/16 x 12 | 20 | 22 | 1 | 7/16 | 2 | .134 | 1-3/16 | 5.2 | |
| 920857 | 2 x 8 | 16 | 18-1/2 | 1-1/4 | 7/16 | 2-1/2 | .109 | 1-5/16 | 6.5 | |
| 920860 | 2 x 10 | 18 | 20-1/2 | 1-1/4 | 7/16 | 2-1/2 | .136 | 1-5/16 | 7.0 | |
| 920863 | 2 x 12 | 20 | 22-1/2 | 1-1/4 | 7/16 | 2-1/2 | .163 | 1-5/16 | 7.5 | |
| 920869 | 2-1/4 x 8 | 16 | 18-3/4 | 1-1/4 | 7/16 | 3 | .138 | 1-1/2 | 7.8 | |
| 920872 | 2-1/4 x 10 | 18 | 20-3/4 | 1-1/4 | 7/16 | 3 | .172 | 1-1/2 | 8.2 | |
| 920875 | 2-1/4 x 12 | 20 | 22-3/4 | 1-1/4 | 7/16 | 3 | .205 | 1-1/2 | 8.7 | |
| 920881 | 2-1/2 x 8 | 16 | 19 | 1-1/4 | 7/16 | 3 | .170 | 1-5/8 | 9.0 | |
| 920884 | 2-1/2 x 10 | 18 | 21 | 1-1/4 | 7/16 | 3 | .213 | 1-5/8 | 9.4 | |
| 920887 | 2-1/2 x 12 | 20 | 23 | 1-1/4 | 7/16 | 3 | .256 | 1-5/8 | 10.0 | |
| 920908 | 3 x 10 | 18 | 21-1/4 | 1-1/4 | 7/16 | 3-1/2 | .306 | 2 | 12.3 | |

Note: On all 1-13/16 cylinders, .065 wall thickness is available

TUBULAR VALVES
BRASS CYLINDERS

BRASS CYLINDERS



449 B CYLINDER

Features:

- Most popular open top deep well cylinder
- Furnished with three leather ball plungers
- Plunger bottom is tapped to screw onto check, enabling removal of both valves in one operation
- Standard size 706 cup leathers used on ball check valve
- Available with four leather plunger; price quoted at time of order
- 2-3/4" cylinders utilize 11 gauge barrel as standard
- Standard barrel is 13 gauge (0.95 wall) with optional 11 gauge (0.128 wall) barrel available at extra cost

| Part Number | Inside Diameter & Stroke (Inches) | Length Overall (Inches) | Caps Tapped Pipe Size (Inches) | | Size Rod in Plunger (Inches) | Smallest Well Cylinder Will Enter (Inches) | Capacity per Stroke (U.S. Gals.) | 711 Cup Leather Hole Size (Inches) | Approx. Wt. Ea. (Lbs.) | List Price Each |
|-------------|-----------------------------------|-------------------------|--------------------------------|--------|------------------------------|--|----------------------------------|------------------------------------|------------------------|-------------------------|
| | | | Top | Bottom | | | | | | |
| 922161 | 1-7/8 x 14 | 27-1/2 | 2 | 1-1/4 | 5/8 | 3 | .167 | 1-1/4 | 10.8 | See separate price list |
| 922164 | 1-7/8 x 20 | 33-1/2 | 2 | 1-1/4 | 5/8 | 3 | .238 | 1-1/4 | 12.0 | |
| 922167 | 1-7/8 x 26 | 39 | 2 | 1-1/4 | 5/8 | 3 | .309 | 1-1/4 | 13.0 | |
| 922171 | 2-1/4 x 13 | 28 | 2-1/2 | 1-1/2 | 7/8 | 3-1/2 | .224 | 1-1/2 | 13.8 | |
| 922176 | 2-1/4 x 25 | 40 | 2-1/2 | 1-1/2 | 7/8 | 3-1/2 | .430 | 1-1/2 | 16.0 | |
| 922185 | 2-3/4 x 18 | 34 | 3 | 2 | 7/8 | 4 | .463 | 1-7/8 | 21.0 | |
| 922188 | 2-3/4 x 24 | 40 | 3 | 2 | 7/8 | 4 | .617 | 1-7/8 | 22.8 | |



449B

A-76 CYLINDER

Features:

- All brass cylinder suitable for heaviest duty in deepest well
- Furnished with 4-leather ball type plunger; ball check and rubber faced gravity check poppet

| Part Number | Inside Diameter & Stroke (Inches) | Barrel Length (Inches) | Length Overall (Inches) | Caps Tapped Pipe Size (Inches) | Size Rod in Plunger (Inches) | Smallest Well Cylinder Will Enter (Inches) | Capacity per Stroke (U.S. Gals.) | 711 Cup Leather Hole (Inches) | Approx. Wt. Ea. (Lbs.) | List Price Each |
|-------------|-----------------------------------|------------------------|-------------------------|--------------------------------|------------------------------|--|----------------------------------|-------------------------------|------------------------|-----------------|
| | | | | | | | | | | |
| 921198 | 2 x 12 | 24 | 27-1/4 | 1-1/4 | 7/16 | 2-1/2 | .1632 | 1-5/16 | 10.3 | |

A-76

443 BRASS CYLINDER

Features:

- Open top brass cylinder with gravity valves to pump more water with less power
- Barrel furnished in .095 wall brass tubing with brass caps and 2 leather plunger
- Plunger bottom tapped to screw onto check, enabling removal of both valves in one operation
- Lead Free: ≤ .025% Lead Content

| Part Number | Inside Diameter & Stroke (Inches) | Length Overall (Inches) | Caps Tapped Pipe Size (Inches) | | Size Rod in Plunger (Inches) | Smallest Well Cylinder Will Enter (Inches) | Capacity per Stroke (U.S. Gals.) | 711 Cup Leather Hole Size (Inches) | Approx. Wt. Ea. (Lbs.) | List Price Each |
|-------------|-----------------------------------|-------------------------|--------------------------------|--------|------------------------------|--|----------------------------------|------------------------------------|------------------------|-------------------------|
| | | | Top | Bottom | | | | | | |
| 921735 | 2-1/4 x 14 | 24 | 2-1/2 | 1-1/2 | 5/8 - 11 | 3-1/2 | .246 | 1-1/2 | 12 | See separate price list |
| 921741 | 2-1/4 x 20 | 30 | 2-1/2 | 1-1/2 | 5/8 - 11 | 3-1/2 | .352 | 1-1/2 | 13.8 | |
| 921750 | 2-3/4 x 18 | 30 | 3 | 2 | 5/8 - 11 | 4 | .462 | 1-7/8 | 17 | |
| 921753 | 2-3/4 x 24 | 36 | 3 | 2 | 5/8 - 11 | 4 | .617 | 1-7/8 | 18.8 | |
| 921768 | 3-3/4 x 18 | 30 | 4 | 3 | 1-1/8 - 7 | 6 | .766 | 2-5/8 | 37 | |
| 921771 | 3-3/4 x 24 | 36 | 4 | 3 | 1-1/8 - 7 | 6 | 1.054 | 2-5/8 | 40 | |



443

NOTE: 2-1/4 available with 3/8" IPS plunger tapping. 2-3/4 available with 1/2" IPS tapping

CYLINDERS

450 EUREKA CYLINDER

Features:

- Designed for tubular wells, especially if original cylinder cannot be readily replaced
- Plunger is tapped to screw onto check, enabling removal of both valves in one operation
- Furnished with gravity poppets in plunger and check

| Part Number | Size of Well (Inches) | Inside Dia. of Cylinder X Stroke (Inches) | Plunger Tapped for Pipe | Cup Leather Size in Hole Type 711 | | Capacity per Stroke (U.S. Gals.) | Approx. Wt. Ea. (Lbs.) | List Price Each |
|-------------|-----------------------|---|-------------------------|-----------------------------------|----------------|----------------------------------|------------------------|-------------------------|
| | | | | Plunger (inches) | Check (Inches) | | | |
| 921223 | 2 | 1-13/16 x 10 | 3/8 | 1-13/16 | 1-13/16 | .112 | 6 | See separate price list |
| 921225 | 2 | 1-13/16 x 14 | 3/8 | 1-13/16 | 1-13/16 | .156 | 6.5 | |
| 921227 | 2-1/2 | 2-1/4 x 10 | 3/8 | 2-1/4 | 1-1/2 | .172 | 9.5 | |
| 921229 | 2-1/2 | 2-1/4 x 14 | 3/8 | 2-1/4 | 1-1/2 | .239 | 10.2 | |
| 921231 | 3 | 2-3/4 x 10 | 3/8 | 2-3/4 | 1-7/8 | .257 | 12 | |
| 921233 | 3 | 2-3/4 x 14 | 3/8 | 2-3/4 | 1-7/8 | .358 | 13 | |



450

BRASS CYLINDERS
CYLINDERS

ROD COUPLINGS



STEEL PUMP RODS

Features:

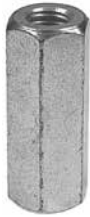
- Uniform, smooth finished, galvanized solid steel pump rods
- Pump Rod sold in bundles only



900

| Part Number | Description | Size (Inches) | Length per Piece | Pieces per Bundle | Feet per Bundle | Weight per Bundle (Lbs.) | List Price Each |
|-------------|--------------------|---------------|------------------|-------------------|-----------------|--------------------------|-------------------------|
| 231000 | Plain Ends | 7/16 | 21 Ft. | 10 | 210 | 108 | See separate price list |
| 941474 | Threaded Both Ends | 7/16 | 21 Ft. | 10 | 210 | 108 | |
| 941488 | Threaded & Coupled | 7/16 | 21 Ft. | 10 | 210 | 110 | |

ROD COUPLINGS #720 FEMALE ROD TO FEMALE ROD



720

| Part Number | Size (Inches) | Size of Hexagon (Inches) | Overall Length (Inches) | Pieces per Box | Approx. Weight per 100 Pieces (Lbs.) | List Price Each |
|-------------|---------------|--------------------------|-------------------------|----------------|--------------------------------------|-------------------------|
| 930160 | 3/8 x 3/8 | 9/16 | 1-3/4 | 25 | 8.3 | See separate price list |
| 930163 | 7/16 x 3/8 | 5/8 | 1-3/4 | 25 | 11.6 | |
| 930166 | 7/16 x 7/16 | 5/8 | 1-3/4 | 25 | 10.2 | |
| 930169 | 1/2 x 3/8 | 11/16 | 1-3/4 | Bulk | 12.5 | |
| 930172 | 1/2 x 7/16 | 11/16 | 1-3/4 | Bulk | 11.8 | |
| 930175 | 1/2 x 1/2 | 11/16 | 1-3/4 | 25 | 11.8 | |
| 930181 | 5/8 x 7/16 | 13/16 | 2-1/8 | Bulk | 19.5 | |
| 930184 | 5/8 x 1/2 | 13/16 | 2-1/8 | Bulk | 17.0 | |
| 930187 | 5/8 x 5/8 | 13/16 | 2-1/8 | Bulk | 15.0 | |
| 930214 | 7/8 x 5/8 | 1-1/4 | 2-1/2 | Bulk | 42.0 | |
| 930220 | 7/8 x 7/8 | 1-1/4 | 2-1/2 | Bulk | 56.0 | |

REDUCER COUPLINGS #585 MALE ROD TO FEMALE ROD



585

| Part Number | Male X Female (Inches) | Pieces per Box | Approx. Weight per 100 Pieces (Lbs.) | List Price Each |
|-------------|------------------------|----------------|--------------------------------------|-------------------------|
| 930339 | 7/16 x 1/2 | Bulk | 14 | See separate price list |
| 930342 | 7/16 x 5/8 | Bulk | 20 | |
| 930348 | 7/16 x 7/8 | Bulk | 44 | |
| 930363 | 1/2 x 7/8 | Bulk | 42 | |
| 930372 | 5/8 x 7/16 | Bulk | 18 | |
| 930375 | 5/8 x 1/2 | Bulk | 18 | |
| 930384 | 5/8 x 7/8 | Bulk | 44 | |
| 930396 | 7/8 x 5/8 | Bulk | 40 | |

REDUCER COUPLINGS #586 MALE PIPE TO FEMALE ROD



586

| Part Number | Male X Female (Inches) | Pieces per Box | Approx. Weight per 100 Pieces (Lbs.) | List Price Each |
|-------------|------------------------|----------------|--------------------------------------|-------------------------|
| 930426 | 3/8 x 7/16 | Bulk | 20 | See separate price list |
| 930429 | 3/8 x 1/2 | Bulk | 18 | |
| 930432 | 3/8 x 5/8 | Bulk | 28 | |
| 930450 | 1/2 x 5/8 | Bulk | 48 | |
| 930456 | 1/2 x 7/8 | Bulk | 48 | |

REDUCER COUPLINGS #587 FEMALE PIPE TO MALE ROD



587

| Part Number | Male X Female (Inches) | Pieces per Box | Approx. Weight per 100 Pieces (Lbs.) | List Price Each |
|-------------|------------------------|----------------|--------------------------------------|-------------------------|
| 930480 | 3/8 x 7/16 | Bulk | 18 | See separate price list |
| 930486 | 3/8 x 5/8 | Bulk | 26 | |
| 930498 | 1/2 x 7/16 | Bulk | 30 | |
| 930500 | 1/2 x 1/2 | Bulk | 21 | |
| 930504 | 1/2 x 5/8 | Bulk | 40 | |
| 930510 | 1/2 x 7/8 | Bulk | 55 | |

ROD COUPLINGS

CYLINDER REPAIR PARTS

WINDMILL STUFFING BOX

Features:

- Stainless steel rod threaded 7/16 - 14 each end
- Adjustable packing nut

| Part Number | Tapped for Pipe (Inches) | Rod Dimensions (Dia. X Length) | Approx. Weight per 100 Pieces (Lbs.) | List Price Each |
|-------------|--------------------------|--------------------------------|--------------------------------------|-------------------------|
| 923274 | 1-1/4 | 5/8" x 18" | 3.75 | See separate price list |
| 923276 | 1-1/2 | 5/8" x 18" | 4.0 | |
| 923284 | 2 | 3/4" x 24" | 4.25 | |



713

PLUNGER RODS AND NUTS

| Part Number | Size (Inches) | Description | List Price Each |
|-------------|---------------|--------------------------|-------------------------|
| 924740 | 7/16 x 16 | Brass Rod with Nut | See separate price list |
| 924741 | 7/16 x 18 | Brass Rod with Nut | |
| 924744 | 7/16 x 14 | Steel Rod with Nut (350) | |
| 924746 | 7/16 x 16 | Steel Rod with Nut | |
| 924748 | 7/16 x 18 | Steel Rod with Nut | |

- **Note:** Plunger rod is 6" longer than the cylinder stroke

442 CYLINDER

| Part Number | Description | ID (Inches) | List Price Each |
|-------------|----------------------------------|-------------|-------------------------|
| 621508 | Barrel only, 16" long, .095 Wall | 1-11/16 | See separate price list |
| 621558 | Barrel only, 16" long, .095 Wall | 1-13/16 | |
| 621658 | Barrel only, 16" long, .095 Wall | 2 | |
| 621708 | Barrel only, 16" long, .095 Wall | 2-1/4 | |
| 621758 | Barrel only, 16" long, .095 Wall | 2-1/2 | |
| 631208 | Barrel only, 16" long, .128 Wall | 3 | |
| 621510 | Barrel only, 18" long, .095 Wall | 1-11/16 | |
| 621560 | Barrel only, 18" long, .095 Wall | 1-13/16 | |
| 621660 | Barrel only, 18" long, .095 Wall | 2 | |
| 621710 | Barrel only, 18" long, .095 Wall | 2-1/4 | |
| 621760 | Barrel only, 18" long, .095 Wall | 2-1/2 | |
| 631210 | Barrel only, 18" long, .128 Wall | 3 | |
| 621512 | Barrel only, 20" long, .095 Wall | 1-11/16 | |
| 621562 | Barrel only, 20" long, .095 Wall | 1-13/16 | |
| 621662 | Barrel only, 20" long, .095 Wall | 2 | |
| 621712 | Barrel only, 20" long, .095 Wall | 2-1/4 | |
| 621762 | Barrel only, 20" long, .095 Wall | 2-1/2 | |
| 631212 | Barrel only, 20" long, .128 Wall | 3 | |
| 531800 | Top Cap | 1-11/16 | |
| 531805 | Top Cap | 1-13/16 | |
| 531810 | Top Cap | 2 | |
| 531815 | Top Cap | 2-1/4 | |
| 531820 | Top Cap | 2-1/2 | |
| 531830 | Top Cap | 3 | |
| 924594 | Bottom Cap with Check | 1-11/16 | |
| 924595 | Bottom Cap with Check | 1-13/16 | |
| 924598 | Bottom Cap with Check | 2 | |
| 924599 | Bottom Cap with Check | 2-1/4 | |
| 924602 | Bottom Cap with Check | 2-1/2 | |
| 924603 | Bottom Cap with Check | 3 | |
| 924630 | Plunger Complete | 1-11/16 | |
| 924632 | Plunger Complete | 1-13/16 | |
| 924634 | Plunger Complete | 2 | |
| 924635 | Plunger Complete | 2-1/4 | |
| 924638 | Plunger Complete | 2-1/2 | |
| 924640 | Plunger Complete | 3 | |

CYLINDER REPAIR PARTS

449-B CYLINDER

| Part Number | Description | ID (Inches) | List Price Each |
|-------------|----------------------------------|-------------|-------------------------|
| 621965 | Barrel only, 24" long, .095 wall | 1-7/8 | See separate price list |
| 621967 | Barrel only, 30" long, .095 wall | 1-7/8 | |
| 621969 | Barrel only, 36" long, .095 wall | 1-7/8 | |
| 621716 | Barrel only, 24" long, .095 wall | 2-1/4 | |
| 621728 | Barrel only, 36" long, .095 wall | 2-1/4 | |
| 631500 | Barrel only, 30" long, .125 wall | 2-3/4 | |
| 631185 | Barrel only, 36" long, .125 wall | 2-3/4 | |
| 631195 | Barrel only, 48" long, .125 wall | 2-3/4 | |
| 531900 | Top Cap | 1-7/8 | |
| 531905 | Top Cap | 2-1/4 | |
| 531910 | Top Cap | 2-3/4 | |
| 531750 | Bottom Cap | 1-7/8 | |
| 531755 | Bottom Cap | 2-1/4 | |
| 531760 | BottomCap | 2-3/4 | |
| 924930 | 3 Leather Ball Plunger | 1-7/8 | |
| 924915 | 3 Leather Ball Plunger | 2-1/4 | |
| 924917 | 3 Leather Ball Plunger | 2-3/4 | |
| 924920 | Ball Check, Complete | 1-7/8 | |
| 924804 | Ball Check, Complete | 2-1/4 | |
| 924808 | Ball Check, Complete | 2-3/4 | |

A-76 CYLINDER

| Part Number | Description | ID (Inches) | List Price Each |
|-------------|-----------------------|-------------|-------------------------|
| 621262 | Barrel only, 20" long | 1-3/4 | See separate price list |
| 621266 | Barrel only, 24" long | 1-3/4 | |
| 621666 | Barrel only, 24" long | 2 | |
| 925705 | Bottom Cap with Check | 1-3/4 | |
| 925710 | Bottom Cap with Check | 2 | |
| 925695 | Plunger, Complete | 1-3/4 | |
| 925700 | Plunger, Complete | 2 | |

443 CYLINDER

| Part Number | Description | ID (Inches) | List Price Each |
|-------------|----------------------------------|-------------|-------------------------|
| 631425 | Barrel only, 20" long, .095 wall | 2-1/4 | See separate price list |
| 621716 | Barrel only, 24" long, .095 wall | 2-1/4 | |
| 621722 | Barrel only, 30" long, .095 wall | 2-1/4 | |
| 631176 | Barrel only, 20" long, .125 wall | 2-3/4 | |
| 631500 | Barrel only, 30" long, .125 wall | 2-3/4 | |
| 631185 | Barrel only, 36" long, .125 wall | 2-3/4 | |
| 631475 | Barrel only, 30" long, .125 wall | 3-3/4 | |
| 631480 | Barrel only, 36" long, .125 wall | 3-3/4 | |
| 531905 | Top Cap | 2-1/4 | |
| 531910 | Top Cap | 2-3/4 | |
| 531915 | Top Cap | 3-3/4 | |
| 531755 | Bottom Cap | 2-1/4 | |
| 531760 | Bottom Cap | 2-3/4 | |
| 531765 | Bottom Cap | 3-3/4 | |
| 924190* | 2L Plunger, Complete | 2-1/4 | |
| 924192** | 2L Plunger, Complete | 2-3/4 | |
| 924196 | 2L Plunger, Complete | 3-3/4 | |
| 924167 | Check Complete | 2-1/4 | |
| 924169 | Check Complete | 2-3/4 | |
| 924171 | Check Complete | 3-3/4 | |

* NOTE: Part #924190 - 2-1/4 - 2 Leather plunger has gravity poppet and 3/8" IPS tapping.

** NOTE: Part #924192 - 2-3/4 - 2 Leather plunger has gravity poppet and 1/2" IPS tapping.

CYLINDER REPAIR PARTS

450 CYLINDER

| Part Number | Description | ID (Inches) | List Price Each |
|-------------|-------------------------|-------------|-------------------------|
| 661500 | Barrel only, 10" stroke | 1-13/16 | See separate price list |
| 661520 | Barrel only, 10" stroke | 2-1/4 | |
| 661540 | Barrel only, 10" stroke | 2-3/4 | |
| 661505 | Barrel only, 14" stroke | 1-13/16 | |
| 661525 | Barrel only, 14" stroke | 2-1/4 | |
| 661545 | Barrel only, 14" stroke | 2-3/4 | |
| 701105 | Spring Dog | 1-13/16 | |
| 701110 | Spring Dog | 2-1/4 | |
| 701115 | Spring Dog | 2-3/4 | |
| 924950 | Plunger, Complete | 1-13/16 | |
| 924960 | Plunger, Complete | 2-1/2 | |
| 924965 | Plunger, Complete | 2-3/4 | |
| 924970 | Check, Complete | 1-13/16 | |
| 924980 | Check, Complete | 2-1/4 | |
| 924985 | Check, Complete | 2-3/4 | |

456 CYLINDER

| Part Number | Description | ID (Inches) | List Price Each |
|-------------|-----------------------|-------------|-------------------------|
| 651420 | Barrel only, 24" long | 2-1/4 | See separate price list |
| 925616 | 2 Leather Plunger | 1-13/16 | |
| 925620 | 2 Leather Plunger | 2-1/4 | |
| 925610 | Check, Complete | 1-13/16 | |
| 925614 | Check, Complete | 2-1/4 | |

CUP LEATHERS



Features:

No. 702

- Oak tanned leather - not treated
- Rough textured side out

No. 706

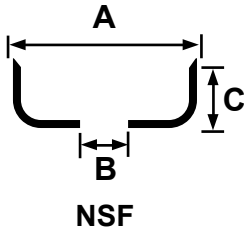
- Oaktan leather and carnuba wax
- Top quality cups
- Extraordinary strength of fiber and splendid wearing quality

No. 707

- Graphite treated
- Call for price and availability

No. 711

- Oaktan leather
- Especially soft and flexible after waterproofing
- A frictionless cup leather
- Made of highest grade leather stock available



| Part Number | Model | A Cylinder ID (Inches) | B Hole Size (Inches) | C Height (Inches) | Weight per 100 Pieces (Lbs.) | List Price Each |
|-------------|-------|------------------------------|----------------------------|-------------------------|---------------------------------|--------------------|
| 940265 | 702 | 2 | 1-5/16 | 3/4 | 3 | |
| 940556 | 706 | 1-1/4 | 5/8 | 1/2 | 1-1/4 | |
| 940598 | 706 | 1-13/16 | 1-3/16 | 3/4 | 2-1/2 | |
| 940600 | 706 | 1-7/8 | 1-1/4 | 3/4 | 2-1/2 | |
| 940607 | 706 | 2 | 5/8 | 3/4 | 3 | |
| 940613 | 706 | 2 | 1-5/16 | 3/4 | 3 | |
| 940631 | 706 | 2-1/4 | 1-1/2 | 3/4 | 3-1/2 | |
| 940640 | 706 | 2-1/2 | 1-5/8 | 13/16 | 4 | |
| 940646 | 706 | 2-3/4 | 1-7/8 | 13/16 | 4-3/4 | |
| 940652 | 706 | 3 | 2 | 13/16 | 6 | |
| 940679 | 706 | 4 | 3 | 1-1/16 | 11 | |
| 940735 | 711 | 1 | 3/8 | 7/16 | 3/4 | |
| 940769 | 711 | 1-1/4 | 3/8 | 1/2 | 1-1/4 | |
| 940772 | 711 | 1-1/4 | 7/16 | 1/2 | 1-1/4 | |
| 940775 | 711 | 1-1/4 | 1/2 | 1/2 | 1-1/4 | |
| 940778 | 711 | 1-1/4 | 5/8 | 1/2 | 1-1/4 | |
| 940793 | 711 | 1-3/8 | 3/8 | 5/8 | 1-1/2 | |
| 940796 | 711 | 1-3/8 | 1/2 | 5/8 | 1-1/2 | |
| 940805 | 711 | 1-1/2 | 3/8 | 5/8 | 1-3/4 | |
| 940808 | 711 | 1-1/2 | 7/16 | 5/8 | 1-3/4 | |
| 940811 | 711 | 1-1/2 | 1/2 | 5/8 | 1-3/4 | |
| 940814 | 711 | 1-1/2 | 5/8 | 5/8 | 1-3/4 | |
| 940826 | 711 | 1-5/8 | 5/8 | 5/8 | 2 | |
| 940844 | 711 | 1-11/16 | 1 | 5/8 | 2-1/8 | |
| 940857 | 711 | 1-11/16 | 5/8 | 5/8 | 2-1/8 | |
| 940859 | 711 | 1-3/4 | 1-1/8 | 11/16 | 2-1/4 | |
| 940880 | 711 | 1-13/16 | 1-3/16 | 3/4 | 2-1/2 | |
| 940892 | 711 | 1-7/8 | 1-3/16 | 3/4 | 2-1/2 | |
| 940898 | 711 | 1-7/8 | 1-1/4 | 3/4 | 2-1/2 | |
| 940919 | 711 | 2 | 5/8 | 3/4 | 3 | |
| 940922 | 711 | 2 | 1-1/4 | 3/4 | 3 | |
| 940925 | 711 | 2 | 1-5/16 | 3/4 | 3 | |
| 940967 | 711 | 2-1/4 | 1-3/8 | 3/4 | 3-1/2 | |
| 940970 | 711 | 2-1/4 | 1-1/2 | 3/4 | 3-1/2 | |
| 940994 | 711 | 2-1/2 | 5/8 | 13/16 | 4 | |
| 941000 | 711 | 2-1/2 | 1-5/8 | 13/16 | 4 | |
| 941015 | 711 | 2-3/4 | 1-7/8 | 13/16 | 4-3/4 | |
| 941025 | 711 | 3 | 1-1/2 | 13/16 | 5 | |
| 941029 | 711 | 3 | 1-7/8 | 13/16 | 6 | |
| 941030 | 711 | 3 | 2 | 13/16 | 6 | |
| 941051 | 711 | 3-1/2 | 2-1/2 | 1 | 7-1/4 | |
| 941055 | 711 | 3-3/4 | 2-5/8 | 1 | 8 | |
| 941066 | 711 | 4 | 3 | 1 1/16 | 11 | |

See separate price list

• All leathers packed and sold in boxes of 12.

CUP LEATHERS/REPAIR PARTS



700 CYLINDER LEATHERS

- Lower value leather
- Oak tanned leather

| Part Number | Model | Cylinder ID (Inches) | Outside Dia. (Inches) | List Price Each |
|-------------|-------|----------------------|-----------------------|-------------------------|
| 941177 | 700 | 2 | 2-1/2 | See separate price list |
| 941180 | 700 | 2-1/2 | 2-3/4 | |
| 941183 | 700 | 2-1/2 | 3 | |
| 941186 | 700 | 2-3/4 | 3-1/4 | |
| 941189 | 700 | 3 | 3-1/2 | |

- All leathers packed and sold in boxes of 12.

NEOPRENE CUP

- Reinforced fabric base
- High flared lip
- Extremely pliable



| Part Number | Cylinder ID (Inches) | Outside Dia. (Inches) | List Price Each |
|-------------|----------------------|-----------------------|-------------------------|
| 941114 | 1-7/8 | 1-1/4 | See separate price list |
| 941115 | 2 | 1-5/16 | |
| 941113 | 2-1/4 | 1-3/8 | |
| 941116 | 2-1/2 | 1-5/8 | |
| 941117 | 2-3/4 | 1-7/8 | |
| 941118 | 3 | 2 | |

REPAIR PARTS

540 IRON FOOT VALVE

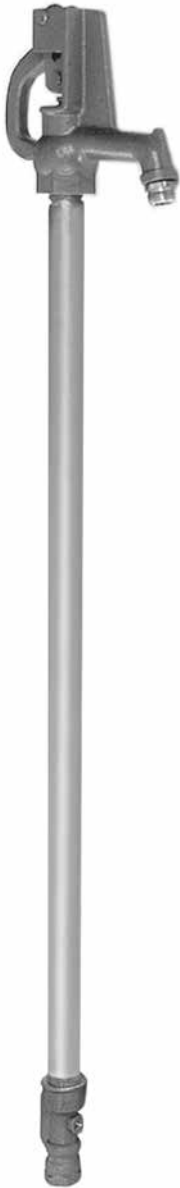
| Part Number | Valve Size (Inches) | Description | Finish | List Price Each |
|-------------|---------------------|------------------------|---------|-------------------------|
| 542910 | 1-1/2 | Strainer | Painted | See separate price list |
| 542915 | 2 | Strainer | Painted | |
| 542925 | 3 | Strainer | Painted | |
| 542930 | 4 | Strainer | Painted | |
| 542940 | 6 | Strainer | Painted | |
| 442505 | 1-1/2 | Seat Plate | | |
| 442510 | 2 | Seat Plate | | |
| 442520 | 3 | Seat Plate | | |
| 442525 | 4 | Seat Plate | | |
| 442535 | 6 | Seat Plate | | |
| 712715 | 1-1/2 | Valve Leather Assembly | | |
| 712720 | 2 | Valve Leather Assembly | | |
| 712730 | 3 | Valve Leather Assembly | | |
| 712735 | 4 | Valve Leather Assembly | | |
| 712745 | 6 | Valve Leather Assembly | | |
| 941183 | 1-1/2 | Leather only | | |
| 482720 | 2 | Leather only | | |
| 482730 | 3 | Leather only | | |
| 482735 | 4 | Leather only | | |
| 482740 | 5 | Leather only | | |
| 482745 | 6 | Leather only | | |

#2 PITCHER PUMP

| Part Number | Description | List Price Each |
|-------------|---|-------------------------|
| 940083 | Plunger complete with rod Plunger Rod Bottom check assembly | See separate price list |
| 940084 | | |
| 940097 | | |

CUP LEATHERS/REPAIR PARTS

YARD HYDRANTS



Features:

- Provides running water all year for farms, homes and industry despite freezing temperatures. 3/4" inlet on brass valve.
- Standard 3/4" brass hose thread adapter on the outlet, and can be removed to connect 1/2" pipe.
- All hydrants are 27" from ground to outlet above the bury depth, using 1" I.D. galvanized steel pipe.
- Hydrant is designed with shut-off valve below frost line. Will not freeze as pipe drains through a bleeder. Brass nozzle is threaded for standard 3/4" garden hose coupling. 7/16" valve rod operates valve below frost line, allowing water to flow even in sub-zero weather. If water leaks at packing nut when hydrant is in operation, tighten nut or replace packing if necessary.

| Part Number | Model Number | 1" I.D. Pipe Size & Bury Length | Weight Each (Lbs.) | List Price Each |
|-------------|--------------|---------------------------------|--------------------|-------------------------|
| 935401 | 5401 | 1 ft. | 13-1/3 | See separate price list |
| 935402 | 5402 | 2 ft. | 15-1/2 | |
| 935403 | 5403 | 3 ft. | 17-1/2 | |
| 935404 | 5404 | 4 ft. | 19-1/2 | |
| 935405 | 5405 | 5 ft. | 21-1/2 | |
| 935406 | 5406 | 6 ft. | 23-1/2 | |
| 935407 | 5407 | 7 ft. | 25-1/2 | |
| 935408 | 5408 | 8 ft. | 27-1/2 | |

HYDRANT REPAIR PARTS

| Part Number | Model Number | Description | List Price Each |
|-------------|--------------|----------------------------------|-------------------------|
| 932901 | G-1 | Head Casting | See separate price list |
| 932903 | G-6 | Brass Hose | |
| 932910 | G-10 | Thread Adapter | |
| 932918 | G-15 | Lever Casting | |
| 932920 | G-20 | Lever Bolt | |
| 932921 | G-25 | Draw Straps | |
| 932927 | G-30 | Pivot Connector & Nuts | |
| 932930 | G-35 | Packing Nut | |
| 932940 | G-40 | Valve Stem Packing | |
| 932941 | G-45 | Valve Body | |
| 932942 | G-50 | Operating Rod (SS) Brass Reducer | |
| | G-55 | Operating Stem (7/16" Galv. Rod) | |
| | G-60 | 1" Galvanized Pipe | |
| 932945 | G-65 | Brass Plunger Bushing | |
| 932946 | G-70 | Brass Plunger Body | |
| 932947 | G-75 | Brass Plunger Bolt | |
| 932950 | G-80 | Brass Threaded Washer | |
| 932985 | G-85 | Rubber Seat Washer (Std. Bibb) | |
| 932986 | G-90 | Stainless Steel Plunger Spring | |
| 932987 | G-100 | Retainer Screw for Rubber | |
| 932905 | G-105 | Cup Leathers | |
| 932988 | G-110 | Brass Washers for Plunger | |
| 932915 | G-115 | Plunger Assembly | |
| 932989 | G-120 | Head Assembly | |

G-115 consists of Parts No. G-65, G-70, G-75, G-80, G-85, G-90, G-100, G-105 and G-110.

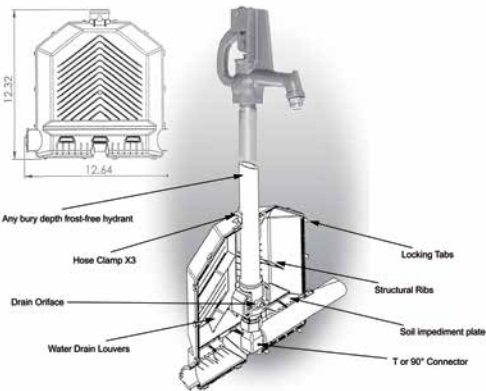
YARD HYDRANT/UNIVERSAL HYDRANT DRAIN BOX

UNIVERSAL HYDRANT "DRAIN BOX"



Features:

- Eliminates gravel pack
- Provides drainage away from valve body
- External louvers retain soil from entering upper valve body
- Openings on sides and bottom allows water to percolate into ground
- Drainage equivalent to nine square feet of washed gravel, six inches thick
- 100% Recycled Material



| Part Number | Weight | List Price Each |
|-------------|--------|-------------------------|
| 935350 | 2.0# | See separate price list |

Includes 3 clamps

MONITORING & REMEDIATION ADAPTERS



MAASS™ MODEL J-WS SERIES OF PITLESS ADAPTERS AND UNITS

All Feature:

- Ideal for remediation wells
- Water contacts only 304 stainless steel discharge nipple and insert ell
- No obstruction left in well when insert is pulled
- Viton "O" rings standard
- Tapered 8 degree slip fitting for easy installation and removal of stainless steel insert
- 304 stainless steel guide pins standard

MAASS™ MODEL J-WS WELD-ON PITLESS ADAPTERS

Features:

- Permanently installed by welding for increased strength and durability

| Part Number | Model | Discharge Pipe (Inches) | Drop Pipe (Inches) | I.D. Casing Size (Inches) | Weight (Lbs.) | List Price Each |
|-------------|------------|-------------------------|--------------------|---------------------------|---------------|-------------------------|
| 928101 | 4J1 WS | 1 | 1 | 4-5 | 6 | See separate price list |
| 928121 | 6J1 WS | 1 | 1 | 6-7-8+ | 6 | |
| 928106 | 4J1-1/4 WS | 1-1/4 | 1-1/4 | 4-5 | 7 | |
| 928126 | 6J1-1/4WS | 1-1/4 | 1-1/4 | 6-7-8+ | 7 | |
| 928136 | 6J2 WS | 2 | 2 | 6-7-8+ | 12 | |
| 928146 | 8J3 WS | 3 | 3 | 8-10-12+ | 32 | |

Note: All 304 SS weld on adapters available. Consult factory.



MAASS™ MODEL JC-WS CLAMP-ON PITLESS ADAPTERS

Features:

- Ideal for use on either plastic or steel well casing
- 304 stainless steel clamps and nuts
- 304 stainless steel insert and Viton "O" rings standard

| Part Number | Model | Discharge Pipe (Inches) | Drop Pipe (Inches) | O.D. Casing Size (Inches) | Standard Clamp-on Weight | List Price Each |
|-------------|-----------|-------------------------|--------------------|---------------------------|--------------------------|-------------------------|
| 928302 | 4JC1 WS | 1 | 1 | 4-1/2 | 11.0 | See separate price list |
| 928307 | 5ODJC1 WS | 1 | 1 | 5 | 11.0 | |
| 928312 | 5JC1 WS | 1 | 1 | 5-9/16 | 11.0 | |
| 928322 | 6JC1 WS | 1 | 1 | 6-5/8 | 11.75 | |



MAASS™ MODEL JD ADAPTER

Features:

- 304 stainless steel construction
- Neoprene gasket for inner and outer casing seal
- Insert and housing have 8 degree taper for easy installation and removal
- Extended length nipple on housing to allow adapter to fit from 1/4" to 2" thick wall pipe
- Viton "O" ring seal

| Part Number | Model | Discharge Pipe NPT | Discharge Length (Inches) | Drop Pipe | Casing Size Min. | Max Pump O.D. | Weight (Lbs.) | List Price Each |
|-------------|------------|--------------------|---------------------------|-----------|------------------|---------------|---------------|-------------------------|
| 928930 | JD1-SS | 1" | 4" | 1" | 6" | 4" | 4.75 | See separate price list |
| 928932 | JD1 1/4-SS | 1-1/4" | 4" | 1-1/4" | 6" | 4" | 5.12 | |
| 928934 | JD1 1/2-SS | 1-1/2" | 4" | 1-1/2" | 6" | 4" | 7.2 | |
| 928956 | JD2-6-SS | 2" | 3-1/2" | 2" | 6" | 4" | 10.5 | |
| 928940 | JD3-SS | 3" | 5" | 3" | 8" | 4" | 30.2 | |
| 928944 | JD455-SS | 4" | 6" | 4" | 10" | 6" | 34.0 | |

Note: Casing sizes larger than minimum sizes accommodate larger O.D. pumps



MONITORING & REMEDIATION ADAPTERS

PVC SCREENS & RISER PIPES



PVC FLUSH JOINT SCREEN

Features:

- Schedule 40
- Meets specifications ASTM D-2665 and D-1785
- 10 Slot
- Type 1 grade 1 PVC material specifically ASTM D-1784
- Box quantity 16 pcs.
- Flush joint threads meet ASTM F480-88A

| Part Number | Model Number | Size O.D. | Screen Length | Type | List Price Each |
|-------------|--------------|-----------|---------------|-------|-------------------------|
| 917501 | FJMBP42 | 2" | 60" | Point | See separate price list |
| 917503 | FJBP2 | 2" | 60" | Plug | |
| 917505 | FJTC2 | 2" | 60" | Cap | |

PVC FLUSH JOINT RISER PIPE

Features:

- Schedule 40
- Box quantity 16 pcs.

| Part Number | Size O.D. | Length | List Price Each |
|-------------|-----------|--------|-------------------------|
| 917520 | 2" | 60" | See separate price list |

PVC FLUSH JOINT SCREEN

Features:

- Schedule 80
- Meets specifications ASTM D-2665 and D-1785
- 10 Slot
- Type 1 grade 1 PVC material specifically ASTM D-1784
- Box quantity 16 pcs.
- Flush joint threads meet ASTM F480-88A

| Part Number | Model Number | Size O.D. | Screen Length | Type | List Price Each |
|-------------|--------------|-----------|---------------|-------|-------------------------|
| 917550 | FJMBP42 | 2" | 60" | Point | See separate price list |
| 917552 | FJBP2 | 2" | 60" | Plug | |
| 917554 | FJTC2 | 2" | 60" | Cap | |

PVC FLUSH JOINT RISER PIPE

Features:

- Schedule 80
- Box quantity 16 pcs.

| Part Number | Size O.D. | Length | List Price Each |
|-------------|-----------|--------|-------------------------|
| 917600 | 2" | 60" | See separate price list |

Note: All screens and risers individually sealed in 6 mil plastic.

PVC SCREENS & RISER PIPES



MONITORING & REMEDIATION ACCESSORIES



MAASS™ LOCKING WELL CAP

Features:

- Moderate cost with corrosion resistant cast aluminum
- Suitable for use on monitoring wells
- Protection against vandalism
- Easy to install Drill one hole for bolt to hold cap in place Bolt cap down Lock padlock on cap

| Part Number | Model Number | O.D. Casing Size (Inches) | Description | List Price Each |
|-------------|--------------|------------------------------------|-------------|-------------------------|
| 952770 | 4LCS | 4-1/2 | Submersible | See separate price list |
| 952772 | 5LCS | 5-9/16 | Submersible | |
| 952774 | 6LCS | 6-5/8 | Submersible | |
| 952769 | LJ2 | PADLOCK FOR CAPS - ALL KEYED ALIKE | | |

304 STAINLESS STEEL MALE ADAPTERS

| Part Number | Trade Number | Pipe Size (Inches) | Approx. Weight per 100 (Lbs.) | List Price Each |
|-------------|--------------|--------------------|-------------------------------|-------------------------|
| 406520 | MASS-2 | 1/2 | 15 | See separate price list |
| 406523 | MASS-3 | 3/4 | 22 | |
| 406526 | MASS-4 | 1 | 35 | |
| 406529 | MASS-5 | 1-1/4 | 52 | |
| 406532 | MASS-8 | 2 | 92 | |



MONITORING & REMEDIATION ACCESSORIES

KWIK-ZIP® CENTRALIZERS

Features:

- Centralizers manufactured from high strength inert thermoplastic
- Size by adding more segments forming a complete centralizer
- Service temperatures from -4° to 176° Fahrenheit
- Three ranges to fit pipe diameters 3/4" to 30"+

GT SERIES (Pipe Diameter from 3/4" to 2-9/16")

Features:

- No metal parts
- Bow spring height/stand-off from 0.79" to 1.57"
- Excellent for vapor sampling, monitoring and micro sampling wells
- Also used on small diameter drop pipe, rock bolts, soil nails, and anchors
- Easily installed with pliers

| Part Number | Model Number | Bow Spring Height | Box Qty. | List Price Each | Qty. of segments required per centralizer | |
|-------------|--------------|-------------------|----------|-------------------------|---|----------|
| | | | | | Approx. Bar/Pipe Diameter | Segments |
| 933090 | GT20-1 | 0.79" | 100 | See separate price list | From 3/4" to 1-1/8" | 2 |
| 933095 | GT30-1 | 1.18" | 100 | | From 1-18" to 1-13/16" | 3 |
| 933100 | GT40-1 | 1/57" | 100 | | From 1-13/16" to 2-9/16" | 4 |



GT

155 HT & 380 HT SERIES (Pipe Diameter from 2.3" to 30")

Features:

- No metal parts
- Bow spring height / stand-off from 1.18" to 2" (will deflect to 0.59" for bore holes)
- Excellent for all types and gravel packed screens
- Easily installed with FT 155 or FT 380 Fastening Tool Kit

| Part Number | Model Number | Bow Spring Height | Box Qty. | List Price Each | Qty. of segments required per centralizer | | |
|-------------|--------------|-------------------|----------|-------------------------|---|--------|----------|
| | | | | | Approx. Pipe Diameter | Series | Segments |
| 933105 | 155HT-D | 1.18" | 30 | See separate price list | From 2.3" to 3.75" | 155 HT | 2 |
| 933110 | 155HT-E | 2.0" | 30 | | From 3.75" to 5.565" | 155 HT | 3 |
| 933135 | 380 HT-D | 1.18" | 50 | See separate price list | From 5.565" to 6.625" | 155 HT | 4 |
| 933140 | 380 HT-E | 2.0" | 50 | | From 6.625" to 8.625" | 380 HT | 2 |
| | | | | | From 9.45" to 13.375" | 380 HT | 3 |
| | | | | | From 13.375" to 18" | 380 HT | 4 |
| | | | | | From 18" to 22" | 380 HT | 5 |
| | | | | | From 22" to 27" | 380 HT | 6 |
| | | | | | From 27" to 30" | 380 HT | 7 |



155 HT



380 HT

KWIK-ZIP® 155 & 380 SERIES FASTENING TOOL KIT

Features:

- Heavy duty cast stainless steel jaws
- Used to tighten last joint when segments are fixed to casing
- Rubber handle grips
- Trimming clips are also provided with fastening tool kit

| Part Number | Model Number | Weight (lbs.) | List Price Each |
|-------------|--------------|---------------|-------------------------|
| 933175 | FT155 | 3.4 | See separate price list |
| 933180 | FT380 | 4.4 | |



HD SERIES (Pipe Diameter from 4.33" to 62.99")

Features:

- No metal parts
- Rapid on site assembly with a flat 5/16" screwdriver
- Rubber pads provide maximum grip to pipe surface
- Holds casing center of bore hole for positive grouting, gravel packing and screen installation

| Part Number | Model Number | Bow Spring Height | Box Qty. | List Price Each | Qty. of segments required per centralizer | | |
|-------------|--------------|-------------------|----------|-------------------------|---|--------|----------|
| | | | | | Approx. Pipe Diameter | Series | Segments |
| 933200 | HD 30 | 1-3/16" | 30 | See separate price list | 4.33" to 6.30" | HD | 2 |
| 933205 | HD 50 | 2" | 30 | | 6.00" to 8.62" | HD | 3 |
| 933210 | HD 75 | 3" | 30 | | 9.84" to 12.75" | HD | 4 |
| | | | | | 14.00" | HD | 5 |
| | | | | | 16.00" to 18.00" | HD | 6 |
| | | | | | 20.00" | HD | 7 |
| | | | | | 24.00" | HD | 8 |



STAINLESS STEEL CENTRALIZERS



Features:

- All stainless construction
- Easily installed by simply tightening stainless worm drive clamps
- Strap width 3/4"
- Strap thickness 0.25
- Strap material 301 stainless steel coiled strip steel



| Part Number | Drop Pipe Size | Maximum Bore Hole/Casing Diameter | List Price Each |
|-------------|----------------|-----------------------------------|-------------------------|
| 933000 | 1-1/4" | 11" | See separate price list |
| 933005 | 2" | 12" | |
| 933010 | 2-1/2" | 12" | |
| 933015 | 3" | 13" | |
| 933020 | 4" | 16" | |
| 933025 | 4-1/2" | 16".5 | |
| 933030 | 5" | 17" | |
| 933035 | 6" | 18" | |
| 933040 | 8" | 22" | |
| 933045 | 10" | 24" | |
| 933050 | 12" | 26" | |

NOTE: Standard strap length on 2" through 5" drop pipe centralizers is 15".
Standard strap length on 6" through 12" drop pipe centralizers is 18"

Please contact factory for custom applications

WELL BUSTER™ Flowing Artesian Well Packer

STAINLESS STEEL CENTRALIZERS
WELL BUSTER™ WEL PACKER

Features:

- Designed for flowing artesian wells
- Can be used with submersible pump applications
- Unique expandable rubber packer design
- All metal materials SS304
- Strong sealed wire connectors
- Has 4 #10AWG wires sealed in unit for attaching pump wires
- Eight clear, Maass Midwest 14-10 Heat Shrinks included
- Air release valve stops sand from being drawn into well from vacuum
- Well Buster is installed above Pitless Adapter



| Part Number | Casing Size I.D. | Bury Depth | Weight (Lbs.) | List Price Each |
|-------------|------------------|------------|---------------|-------------------------|
| 935611 | 4" | 4' | 12.0 | See separate price list |
| 935613 | 4" | 5' | 12.5 | |
| 935615 | 4" | 6' | 13.0 | |
| 935628 | 5" | 4' | 12.0 | |
| 935630 | 5" | 5' | 12.5 | |
| 935632 | 5" | 6' | 13.0 | |
| 935638 | 6" | 4' | 12.0 | |
| 935640 | 6" | 5' | 12.5 | |
| 935642 | 6" | 6' | 13.0 | |
| 935648 | 6-1/4" | 4' | 12.0 | |
| 935650 | 6-1/4" | 5' | 12.5 | |
| 935652 | 6-1/4" | 6' | 13.0 | |
| 935656 | 8" | 4' | 17.0 | |
| 935658 | 8" | 5' | 17.5 | |
| 935660 | 8" | 6' | 18.0 | |

NOTE: Contact factory for other bury depths.
5" I.D. wells, 30 psi maximum;
6" and 6 1/4" I.D. wells, 20 psi maximum
8" I.D. wells, 15 psi maximum

REPLACEMENT AIR VALVE

| Part Number | List Price Each |
|-------------|-------------------------|
| 930636 | See separate price list |

TECHNICAL INFORMATION

To obtain the capacity of a pump with diameter of cylinder given in table, but with a stroke longer than 24 inches, add or multiply the capacity to represent the required length of stroke.

To obtain the amount of water discharged per minute, multiply the capacity per stroke by the number of strokes per minute. To obtain the amount of water discharged per hour, multiply this figure by 60.

WATER DISCHARGED PER STROKE BY SINGLE ACTION CYLINDERS

| Pump Cylinder Diameter (Inches) | Length of Stroke in Inches with Capacity per Stroke in Gallons | | | | | | | | | | | Pump Cylinder Area of Circle (Square Inches) | |
|---------------------------------|--|-------|-------|-------|-------|-------|-------|-------|--------|--------|--------|--|--------|
| | 1 | 2 | 3 | 4 | 5 | 6 | 7 | 8 | 10 | 12 | 18 | | 24 |
| 1-3/8 | .0064 | .0128 | .0192 | .0256 | .0320 | .0384 | .0448 | .0512 | .0640 | .0768 | .1152 | .1536 | 1.4849 |
| 1-1/2 | .0076 | .0153 | .0229 | .0306 | .0382 | .0459 | .0535 | .0612 | .0765 | .0918 | .1375 | .1832 | 1.7671 |
| 1-5/8 | .0090 | .0180 | .0270 | .0360 | .0450 | .0540 | .0630 | .0720 | .0900 | .1080 | .1620 | .2140 | 2.0739 |
| 1-3/4 | .0104 | .0208 | .0312 | .0416 | .0512 | .0625 | .0729 | .0833 | .1041 | .1249 | .1872 | .2497 | 2.4053 |
| 1-13/16 | .0112 | .0224 | .0336 | .0448 | .0560 | .0672 | .0784 | .0896 | .1120 | .1344 | .2016 | .2688 | 2.5802 |
| 1-7/8 | .0120 | .0240 | .0360 | .0480 | .0600 | .0720 | .0840 | .0960 | .1200 | .1440 | .2160 | .2880 | 2.7612 |
| 1-31/32 | .0132 | .0263 | .0395 | .0527 | .0659 | .0790 | .0922 | .1054 | .1317 | .1580 | .2371 | .3161 | 3.0440 |
| 2 | .0136 | .0272 | .0408 | .0544 | .0680 | .0816 | .0952 | .1088 | .1360 | .1632 | .2448 | .3264 | 3.1416 |
| 2-3/16 | .0163 | .0325 | .0488 | .0650 | .0812 | .0976 | .1137 | .1300 | .1625 | .1952 | .2928 | .3904 | 3.7584 |
| 2-1/4 | .0172 | .0344 | .0516 | .0688 | .0860 | .1033 | .1205 | .1377 | .1721 | .2071 | .3104 | .4137 | 3.9760 |
| 2-1/2 | .0212 | .0425 | .0637 | .0850 | .1062 | .1275 | .1487 | .1700 | .2125 | .2550 | .3825 | .5100 | 4.9070 |
| 2-3/4 | .0257 | .0514 | .0771 | .1028 | .1285 | .1543 | .1800 | .2057 | .2571 | .3085 | .4628 | .6171 | 5.9395 |
| 3 | .0306 | .0612 | .0918 | .1224 | .1530 | .1836 | .2142 | .2448 | .3060 | .3672 | .5508 | .7344 | 7.0686 |
| 3-1/4 | .0359 | .0719 | .1078 | .1438 | .1795 | .2156 | .2515 | .2875 | .3594 | .4313 | .6469 | .8625 | 8.2957 |
| 3-1/2 | .0416 | .0833 | .1249 | .1666 | .2082 | .2499 | .2915 | .3332 | .4165 | .4998 | .7497 | .9996 | 9.6211 |
| 3-3/4 | .0479 | .0957 | .1435 | .1914 | .2393 | .2871 | .3350 | .3828 | .4785 | .5743 | .8614 | 1.1485 | 11.044 |
| 4 | .0544 | .1088 | .1632 | .2176 | .2720 | .3264 | .3808 | .4352 | .5440 | .6528 | .9792 | 1.3056 | 12.566 |
| 4-1/4 | .0614 | .1228 | .1842 | .2457 | .3070 | .3685 | .4299 | .4913 | .6141 | .7370 | 1.1054 | 1.4739 | 14.186 |
| 4-1/2 | .0688 | .1377 | .2065 | .2754 | .3442 | .4131 | .4819 | .5508 | .6885 | .8262 | 1.2393 | 1.6524 | 15.904 |
| 4-3/4 | .0767 | .1534 | .2301 | .3068 | .3835 | .4602 | .5369 | .6136 | .7670 | .9204 | 1.3806 | 1.8408 | 17.721 |
| 5 | .0850 | .1700 | .2550 | .3400 | .4250 | .5100 | .5950 | .6800 | .8500 | 1.0200 | 1.5300 | 2.0400 | 19.635 |
| 5-1/2 | .1028 | .2057 | .3085 | .4114 | .5142 | .6171 | .7199 | .8228 | 1.0285 | 1.2342 | 1.8513 | 2.4684 | 23.758 |
| 5-3/4 | .1124 | .2248 | .3372 | .4496 | .5620 | .6744 | .7868 | .8992 | 1.1240 | 1.3488 | 2.0232 | 2.6976 | 25.967 |

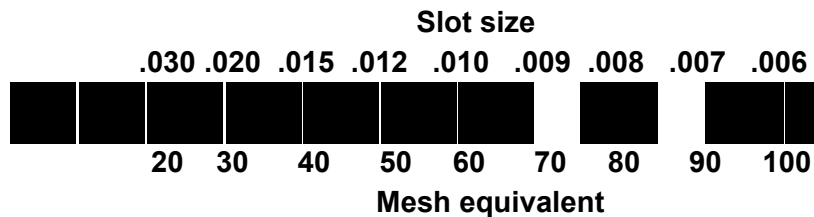
Capacities are given in U.S. gallons.

WEIGHT LOAD FACTORS

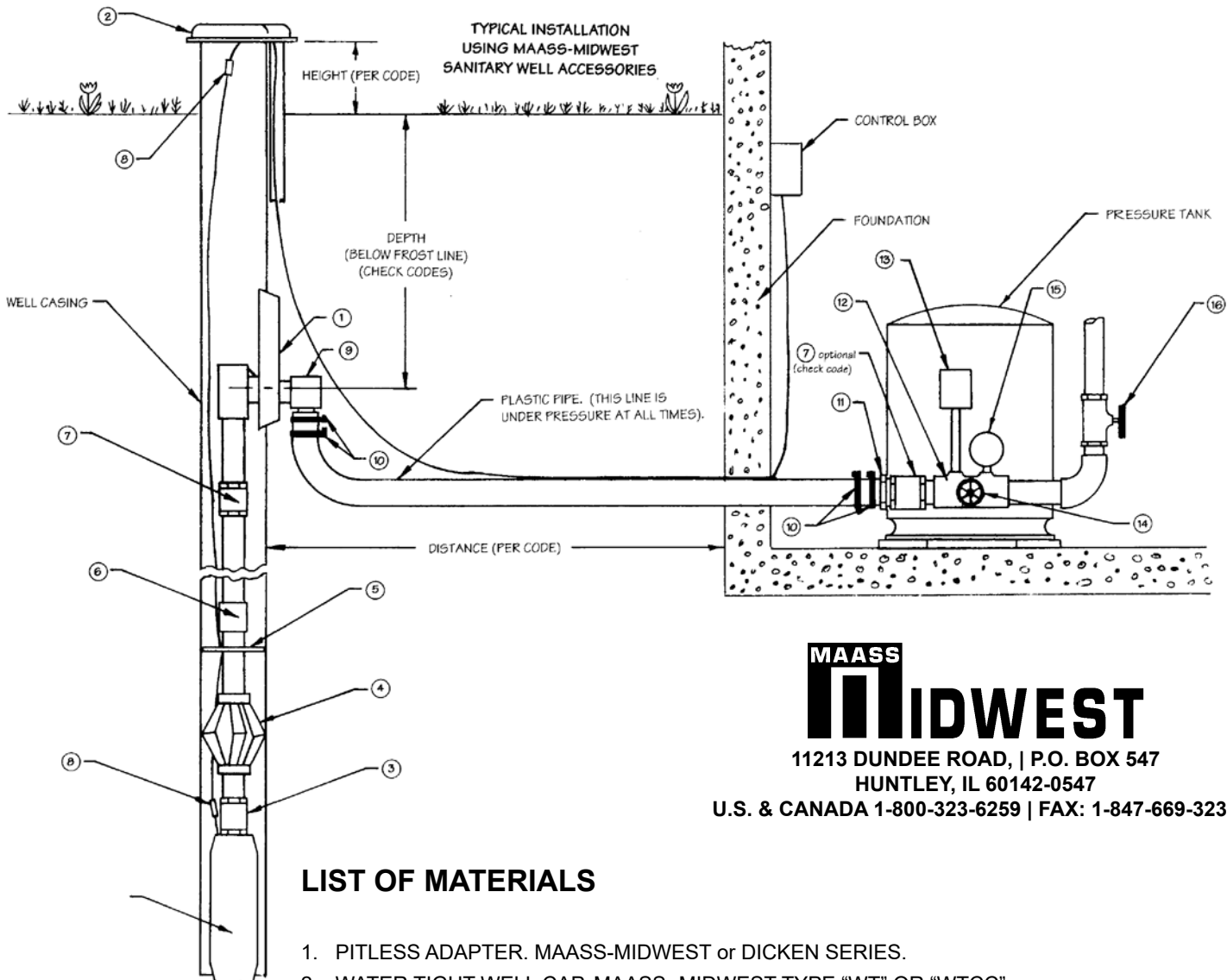
Approximate Weight of Water* and Pipe per Foot

| Type of Drop Pipe | Nominal Size of Pipe (Inches) | Pipe ID (Inches) | Water Volume per Foot (Cu. In.) | Approx. Water Weight per Foot (Lbs.) | Approx. Pipe Weight per Foot (Lbs.) | Approx. Total Weight per Foot (Lbs.) |
|------------------------|-------------------------------|------------------|---------------------------------|--------------------------------------|-------------------------------------|--------------------------------------|
| 160 PSI Polyethylene | 1 | 1.049 | 10.37 | 0.38 | 0.26 | 0.64 |
| | 1-1/4 | 1.380 | 17.95 | 0.65 | 0.43 | 1.08 |
| Schedule 80 PVC | 1 | 0.957 | 8.63 | 0.31 | 0.40 | 0.71 |
| | 1-1/4 | 1.278 | 15.39 | 0.56 | 0.55 | 1.11 |
| | 1-1/2 | 1.500 | 21.21 | 0.77 | 0.66 | 1.43 |
| | 2 | 1.939 | 35.43 | 1.28 | 0.92 | 2.20 |
| Schedule 40 Steel Pipe | 1 | 1.049 | 10.37 | 0.38 | 1.68 | 2.06 |
| | 1-1/4 | 1.380 | 17.95 | 0.65 | 2.28 | 2.93 |
| | 1-1/2 | 1.610 | 24.43 | 0.88 | 2.73 | 3.61 |
| | 2 | 2.067 | 40.27 | 1.45 | 3.68 | 5.13 |

*One Cubic Foot Water = 62.4 Lbs. One Cubic Inch Water = .036 Lbs.



INSTALLATION INFORMATION



**MAASS
MIDWEST**

11213 DUNDEE ROAD, | P.O. BOX 547
HUNTLEY, IL 60142-0547

U.S. & CANADA 1-800-323-6259 | FAX: 1-847-669-3230

LIST OF MATERIALS

1. PITLESS ADAPTER. MAASS-MIDWEST or DICKEN SERIES.
2. WATER TIGHT WELL CAP. MAASS- MIDWEST TYPE "WT" OR "WTCC".
3. CHECK VALVE. MAASS-MIDWEST TYPE 529.
4. TORQUE ARRESTOR. MAASS-MIDWEST TYPE STA-48.
5. CABLE GUARD. MAASS-MIDWEST TYPE 90110. (ONE REQUIRED EVERY 10 FEET).
6. COUPLING. MAASS-MIDWEST TYPE 11P (PVC).
7. CHECK VALVE. MAASS-MIDWEST TYPE 530 or TYPE 531.
8. MAASS-MIDWEST HEAT SHRINK SPLICE KIT.
9. MAASS-MIDWEST RED BRASS INSERT FITTING.
10. STAINLESS STEEL PIPE CLAMPS. MAASS-MIDWEST 225 SERIES.
11. RED BRASS MALE ADAPTER. MAASS- MIDWEST TYPE "MA".
12. RED BRASS TANK TEE. MAASS- MIDWEST TYPE "TFB" or "TCB".
13. PRESSURE SWITCH. MAASS-MIDWEST TYPE "FSG".
14. MAASS-MIDWEST BRASS BOILER DRAIN VALVE.
15. MAASS-MIDWEST STEEL CASED PRESSURE GAUGE.
16. MAASS-MIDWEST BRASS GATE VALVE.

NOTE: Local codes and practices may vary. Check before installing the water system. This diagram is for general illustration purposes only. No warranties, expressed or implied, are conveyed regarding the accuracy or application of the information herein.